

[54] TABLE OR THE LIKE

[76] Inventors: Joseph Z. Duke; Walter S. Ring; Robin W. Shepherd, all of P.O. Box 4384, Jacksonville, Fla. 32201

[**] Term: 14 Years

[21] Appl. No.: 734,022

[22] Filed: Oct. 20, 1976

[51] Int. Cl. D6-03

[52] U.S. Cl. D6/177

[58] Field of Search D6/20, 27, 146, 149, D6/175, 177, 178, 179; 108/15 D, 161

[56] References Cited

U.S. PATENT DOCUMENTS

D. 150,662	8/1948	Thornquist	D6/178
D. 151,162	9/1948	Metz	D6/178
D. 200,412	2/1965	Carr	D6/177
D. 228,857	10/1973	Allsop	D6/177
D. 239,679	4/1976	Szucs	D6/161
2,787,087	4/1957	Whitman	D6/177 X

Primary Examiner—Bruce W. Dunkins
Attorney, Agent, or Firm—George H. Baldwin

[57] CLAIM

The ornamental design for a table or the like, as shown and described.

DESCRIPTION

FIG. 1 is a side elevational view of a table or the like in accord with our new design.

FIG. 2 is a top plan view thereof.

FIG. 3 is a bottom view thereof.

FIG. 4 is an end elevational view thereof.

FIG. 5 is a sectional view thereof taken along line 5—5 of FIG. 1.

FIG. 6 is an enlarged sectional view thereof taken along line 6—6 of FIG. 3.

FIG. 7 is an enlarged sectional view thereof taken along line 7—7 of FIG. 4.

FIG. 8 is an enlarged partial sectional view thereof taken along line 8—8 of FIG. 4.

The end of the table not shown is like the end shown in FIG. 4.

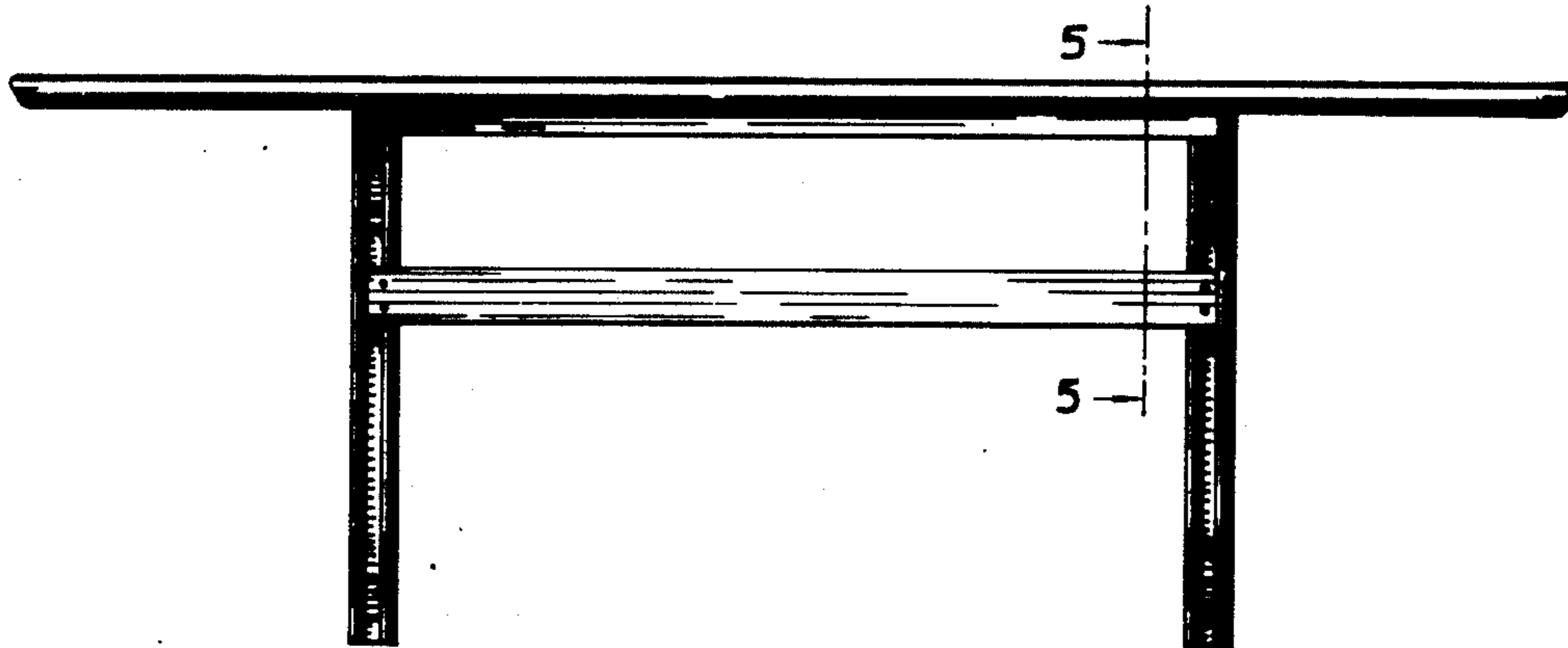


FIG. 1

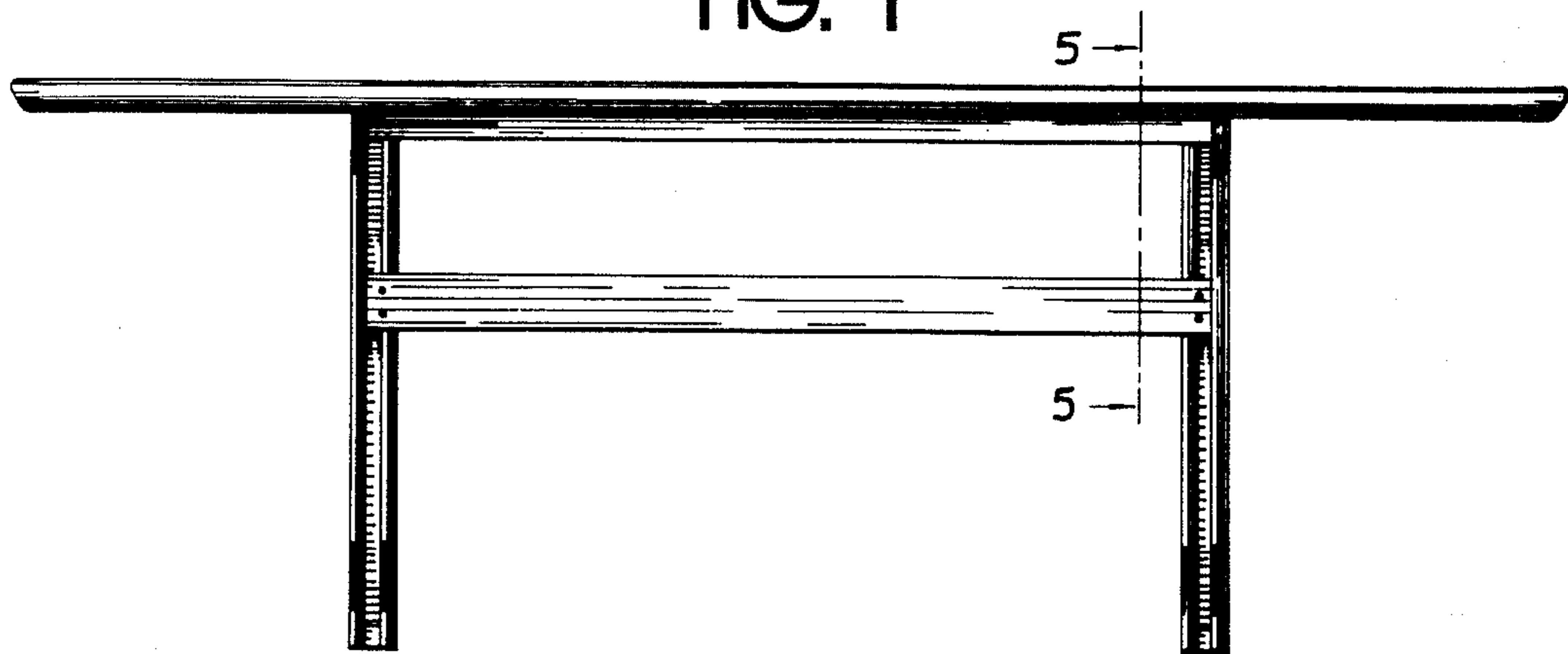


FIG. 2

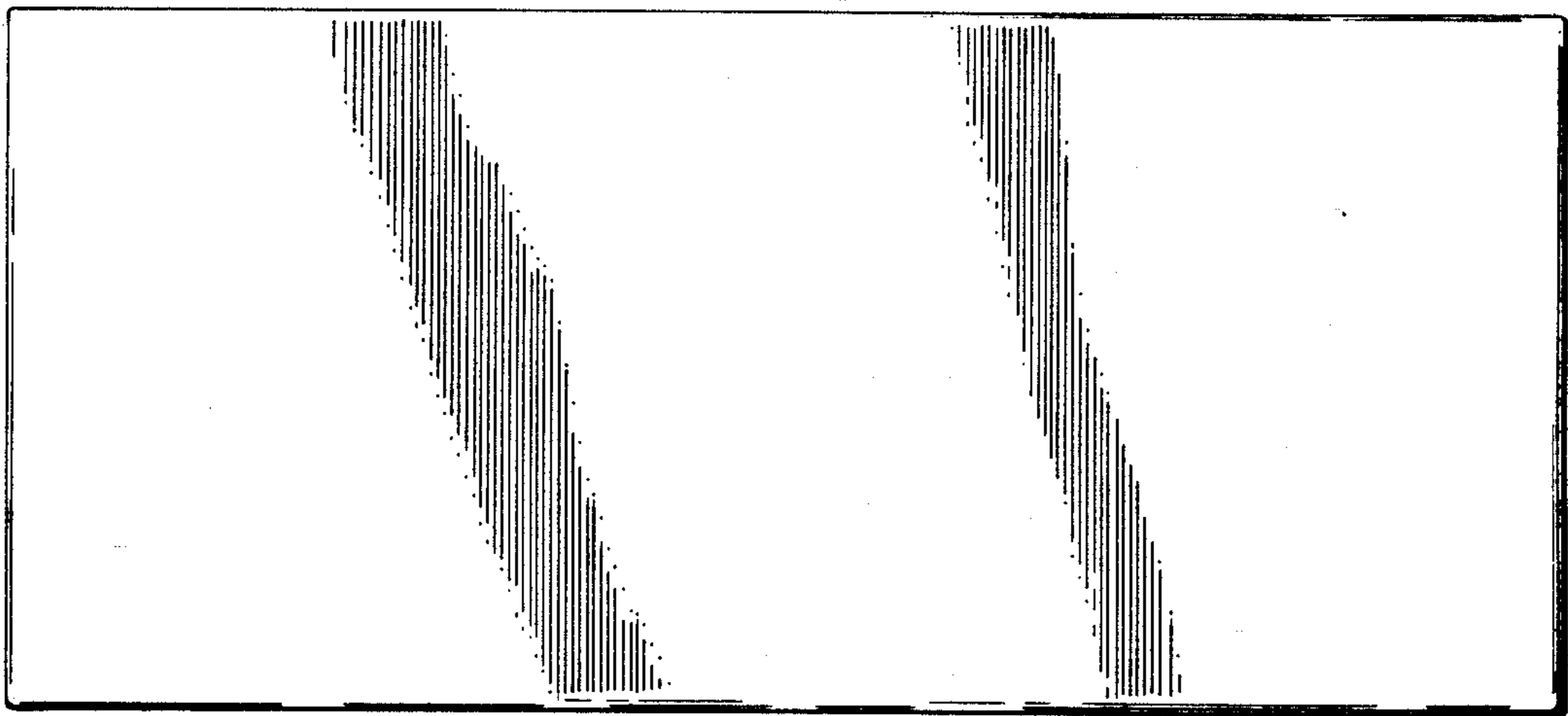


FIG. 3

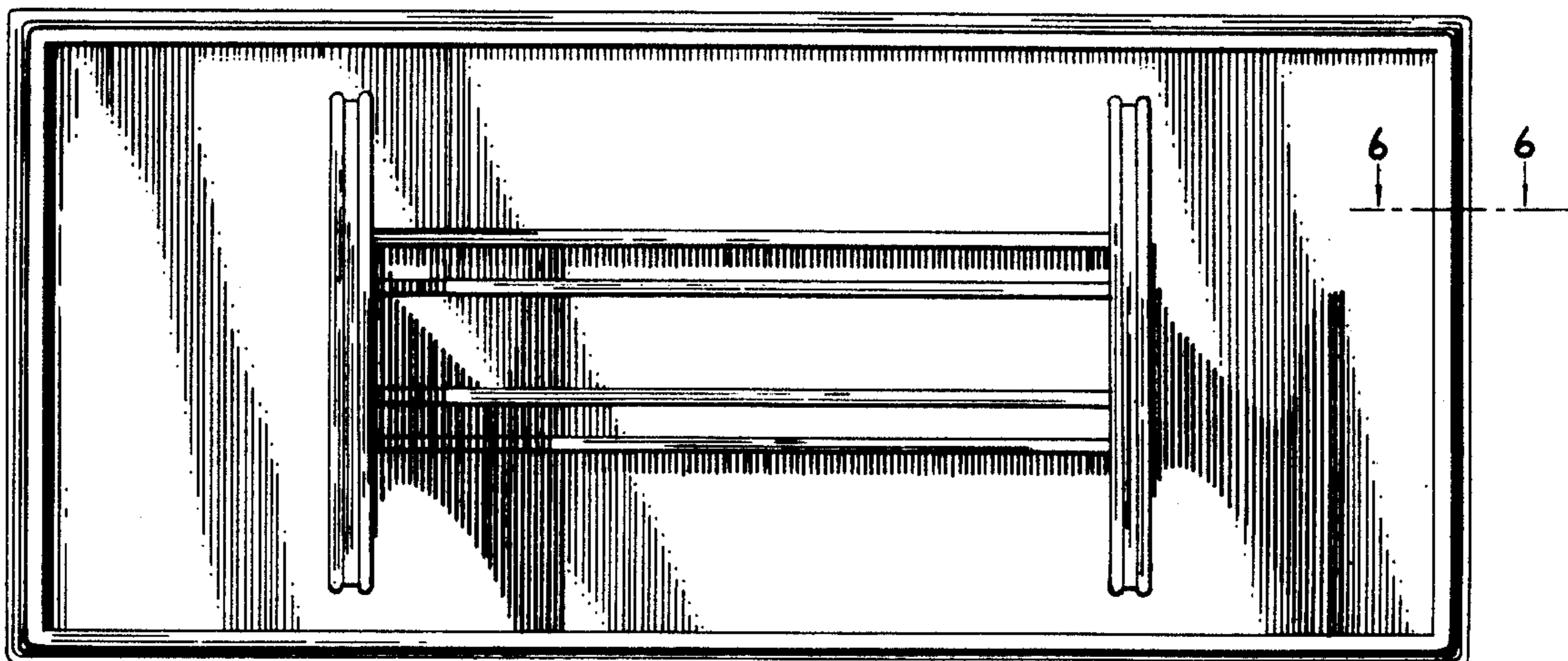


FIG. 4

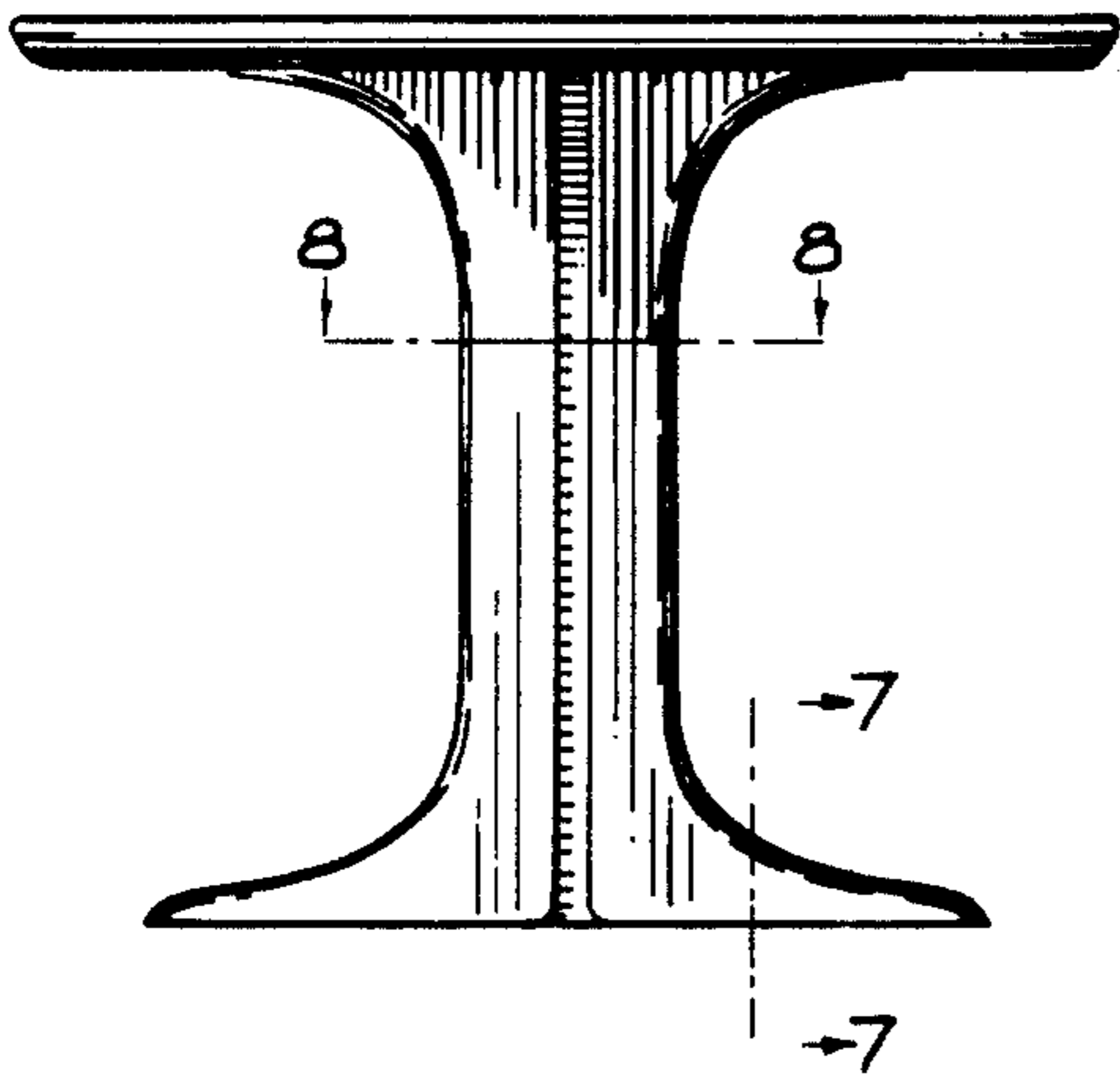


FIG. 5

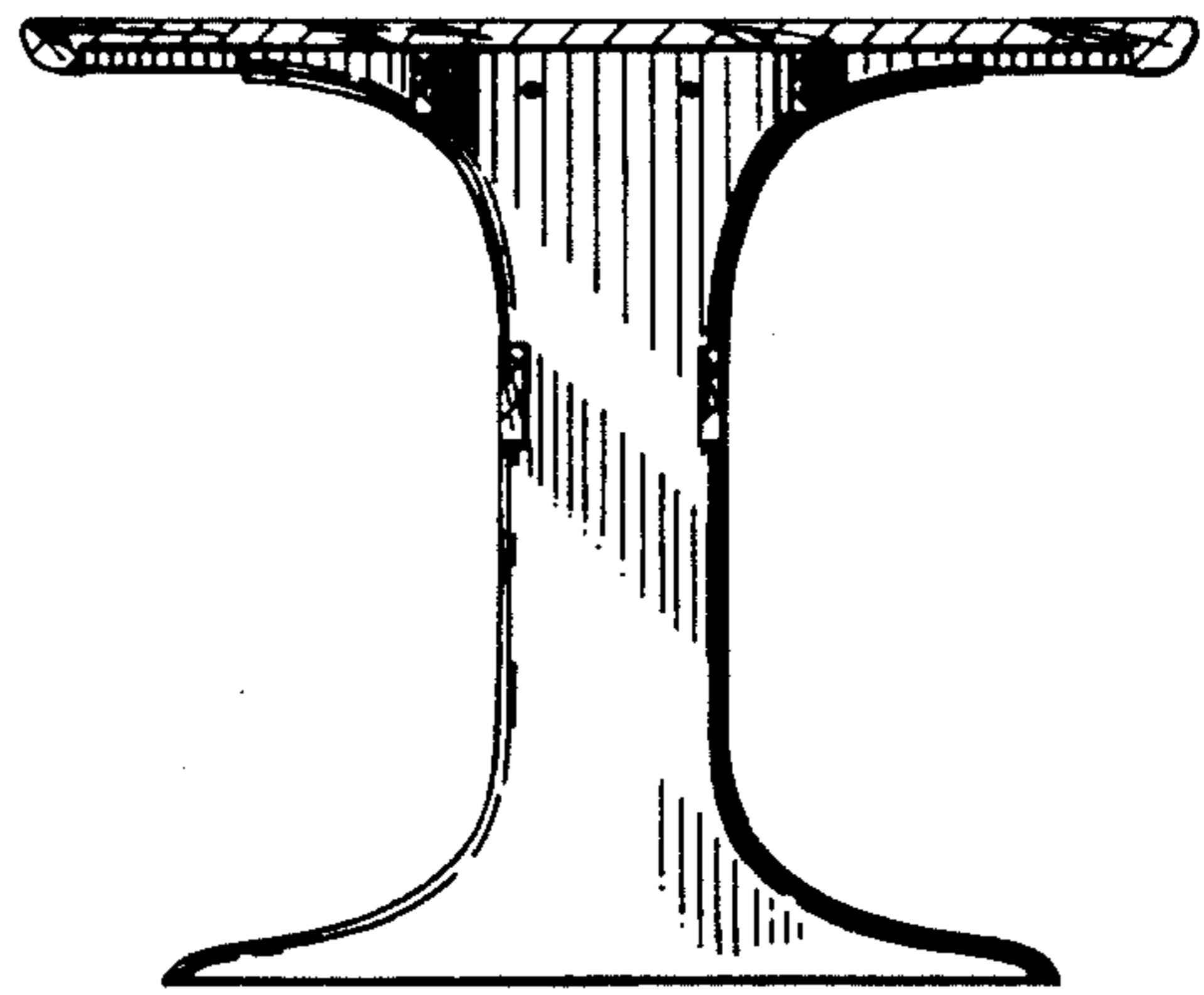


FIG. 6

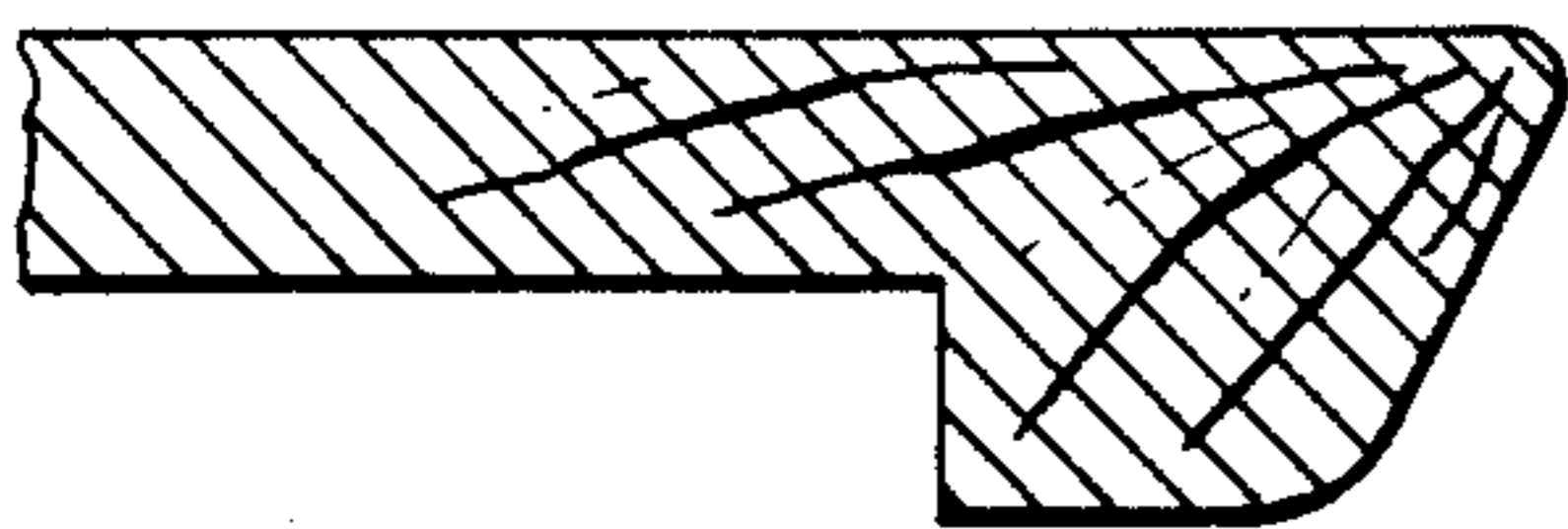


FIG. 7

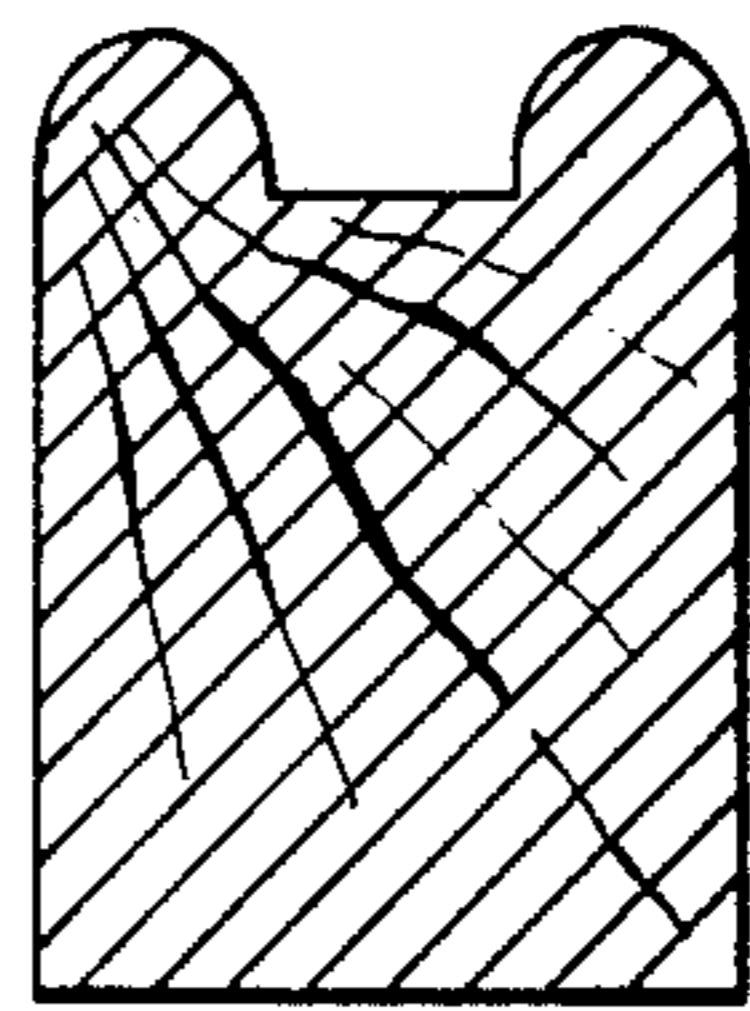


FIG. 8

