

[54] COCKTAIL TABLE

[76] Inventor: Joseph E. Adkinson, 3807 Leland St., Chevy Chase, Md. 20015

[**] Term: 14 Years

[21] Appl. No.: 758,683

[22] Filed: Jan. 12, 1977

[51] Int. Cl. D6-03

[52] U.S. Cl. D6/146; D6/177

[58] Field of Search D6/146-149, D6/175, 177-179

[56] References Cited

U.S. PATENT DOCUMENTS

- D. 73,550 10/1927 Bach D6/147
- D. 73,551 10/1927 Bach D6/147

D. 195,037 4/1963 Adkinson D6/147

OTHER PUBLICATIONS

LaBarge Tables/Furniture, pamphlet dated 1-1-1975, table No. 8082.

Primary Examiner—Bruce W. Dunkins

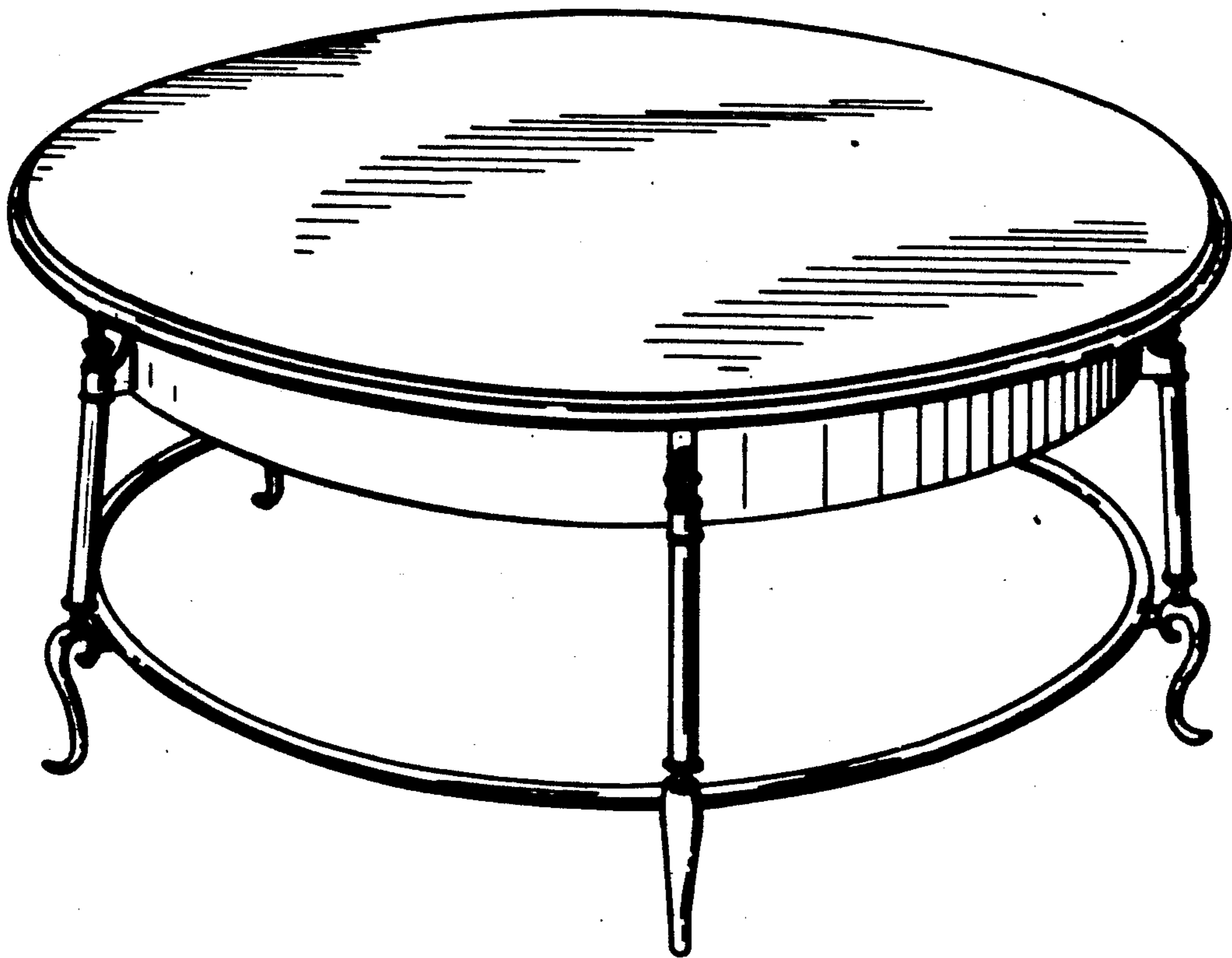
Attorney, Agent, or Firm—Laurence R. Brown

[57] CLAIM

The ornamental design for a cocktail table, substantially as shown.

DESCRIPTION

FIG. 1 is a view in perspective of the cocktail table showing my design;
 FIG. 2 is a view in side elevation of the cocktail table of FIG. 1; and,
 FIG. 3 is a view in top plan of the cocktail table of FIG. 1.



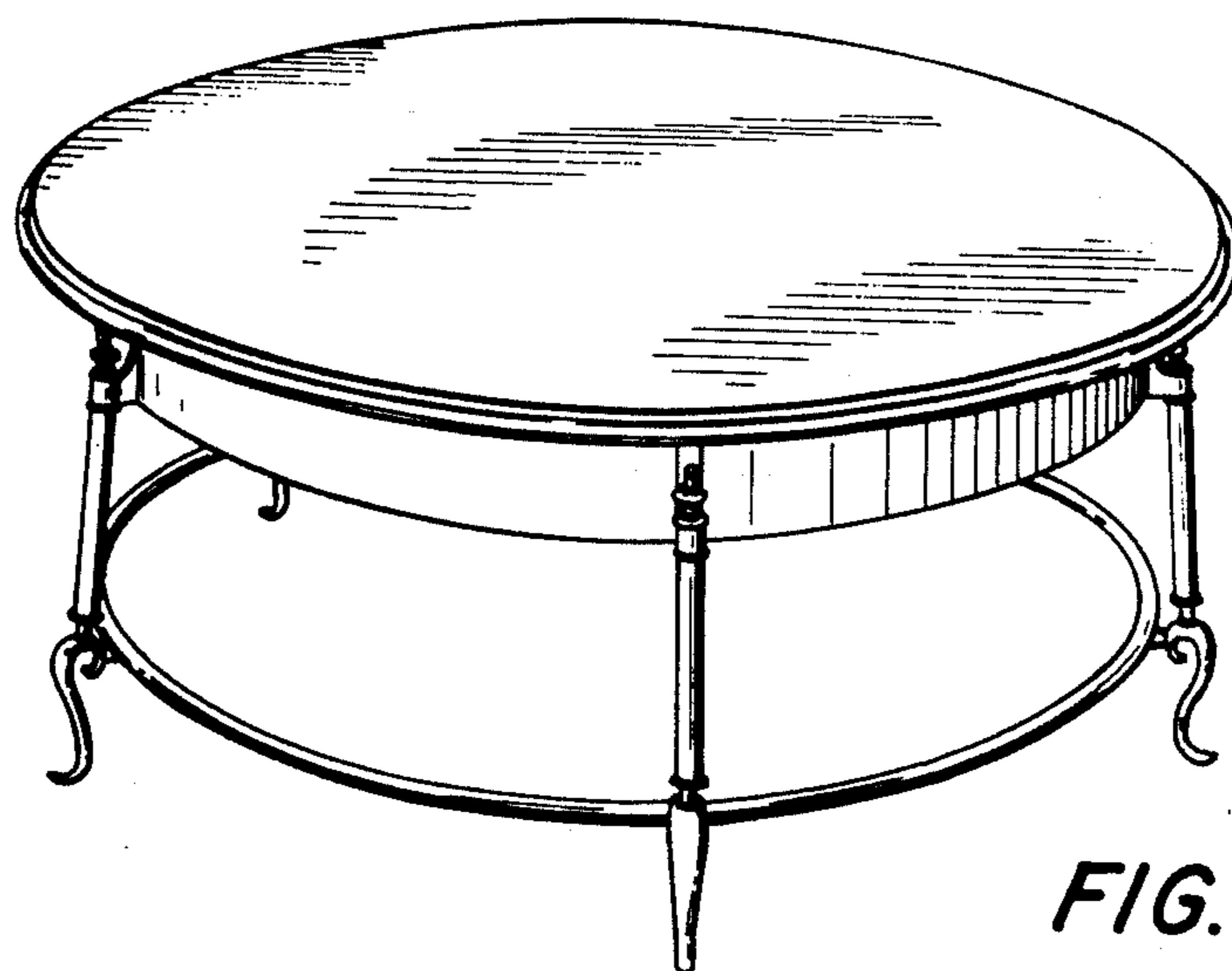


FIG. 1

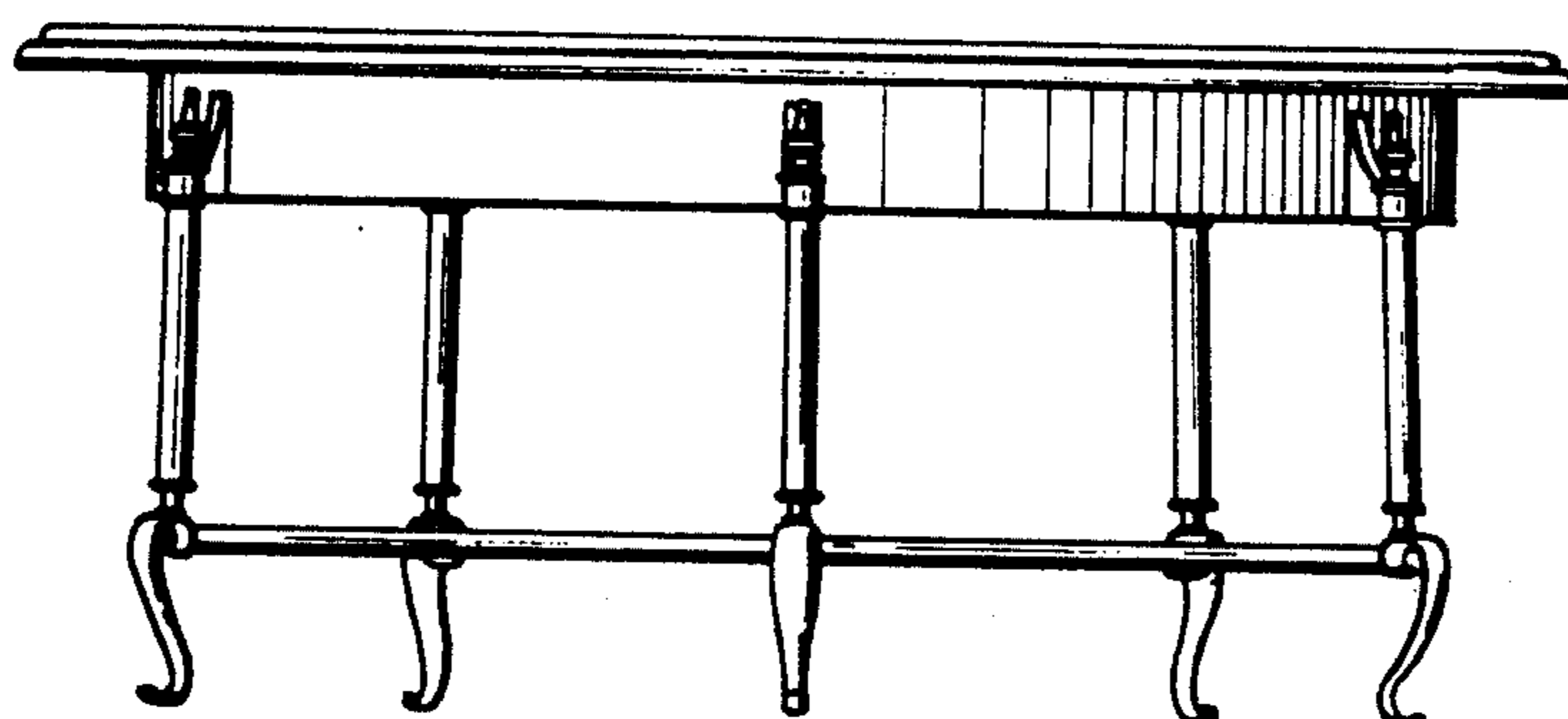


FIG. 2

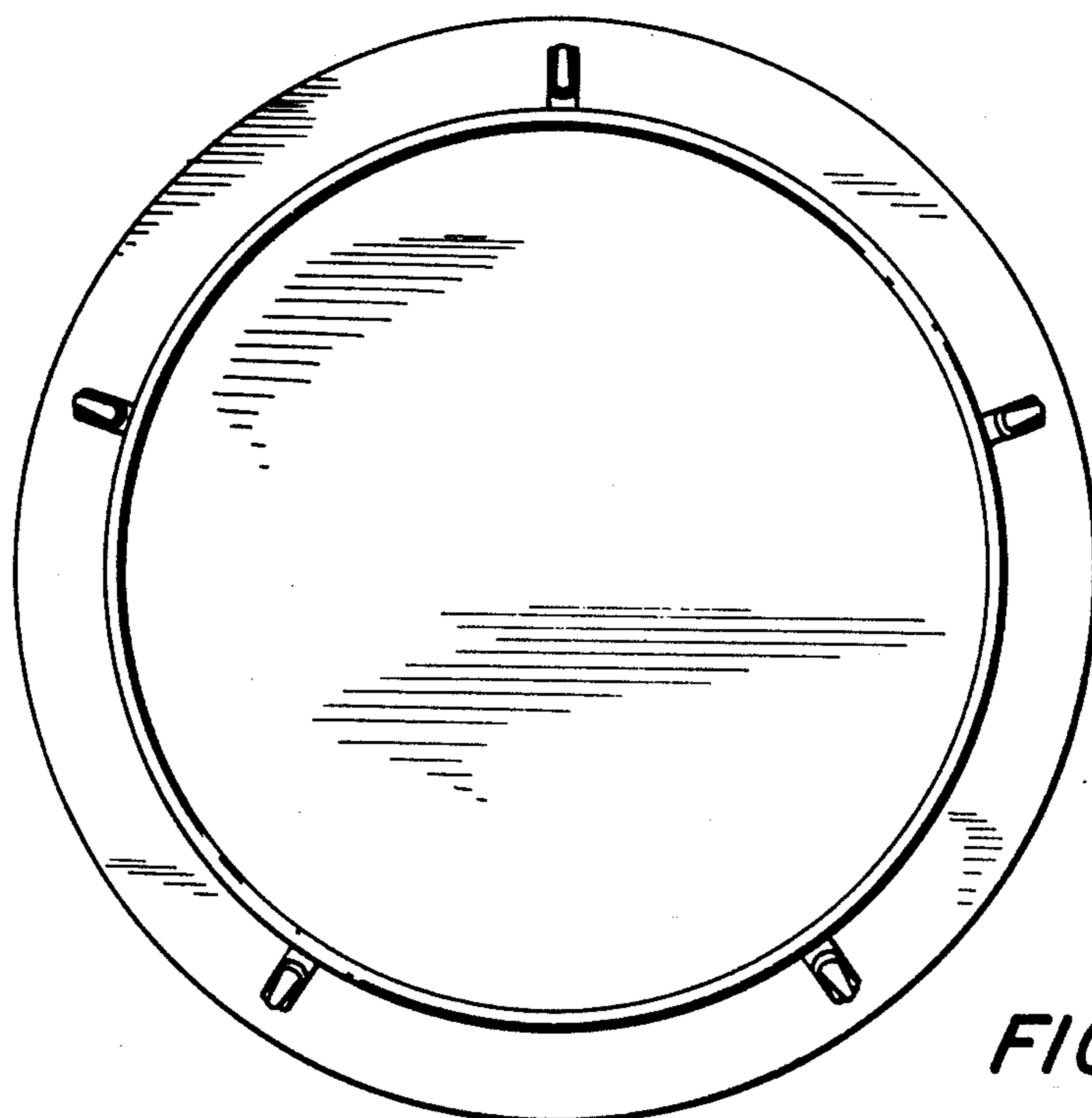


FIG. 3