

[54] TOILET ARTICLE CADDY FOR THE LIKE

[56]

References Cited

U.S. PATENT DOCUMENTS

[76] Inventors: John Primiano, deceased, late of Elmhurst, N.Y., by Grace C. Primiano, administrator, 86-02 57th Rd., Elmhurst, N.Y. 11373

D. 134,295	11/1942	Steward	D6/136
D. 164,875	10/1951	Perez	D6/91
D. 221,960	9/1971	Stephenson	D6/91
D. 234,654	4/1975	Woody	D6/90
825,774	7/1906	Stumm	211/88
1,551,434	8/1925	Shiffer	D6/91

[**] Term: 14 Years

Primary Examiner—Wallace R. Burke
Assistant Examiner—B. J. Bullock
Attorney, Agent, or Firm—Robert D. Farkas

[21] Appl. No.: 675,525

[57] CLAIM

[22] Filed: Apr. 9, 1976

The ornamental design for a toilet article caddy or the like, substantially as shown and described.

[51] Int. Cl. D23-02; D6-04

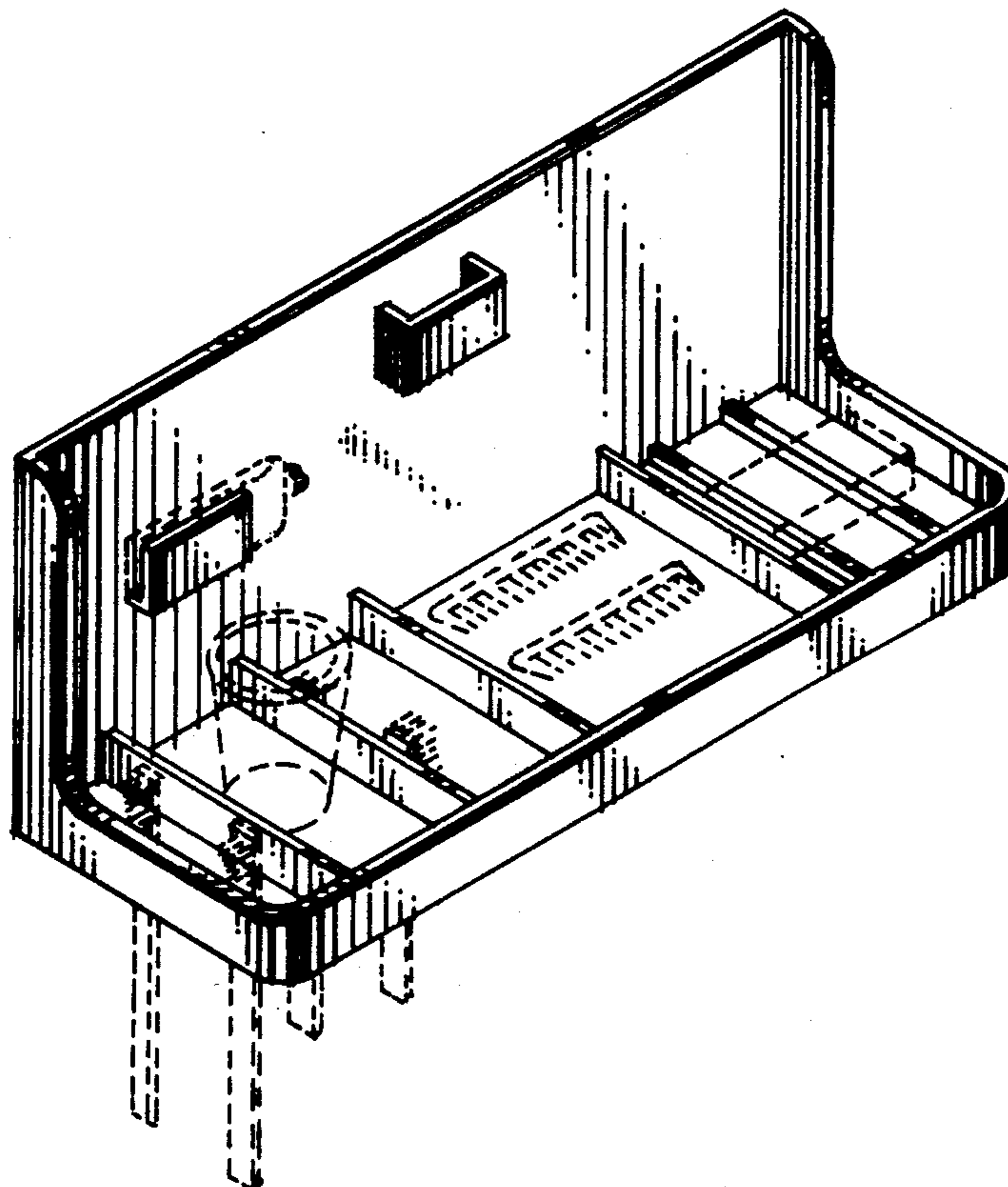
DESCRIPTION

[52] U.S. Cl. D6/86; D6/91; D6/136

FIG. 1 is a perspective view of a toilet article caddy or the like embodying my new design, the toilet articles being shown for illustrative purposes only.

[58] Field of Search D6/86, 89, 90-92, D6/94, 96, 97, 99, 100-102, 114, 125, 130, 132, 136; 211/60 R, 65, 88, 89, 90

FIG. 2 is a side elevation view thereof.
FIG. 3 is a top plan view thereof.



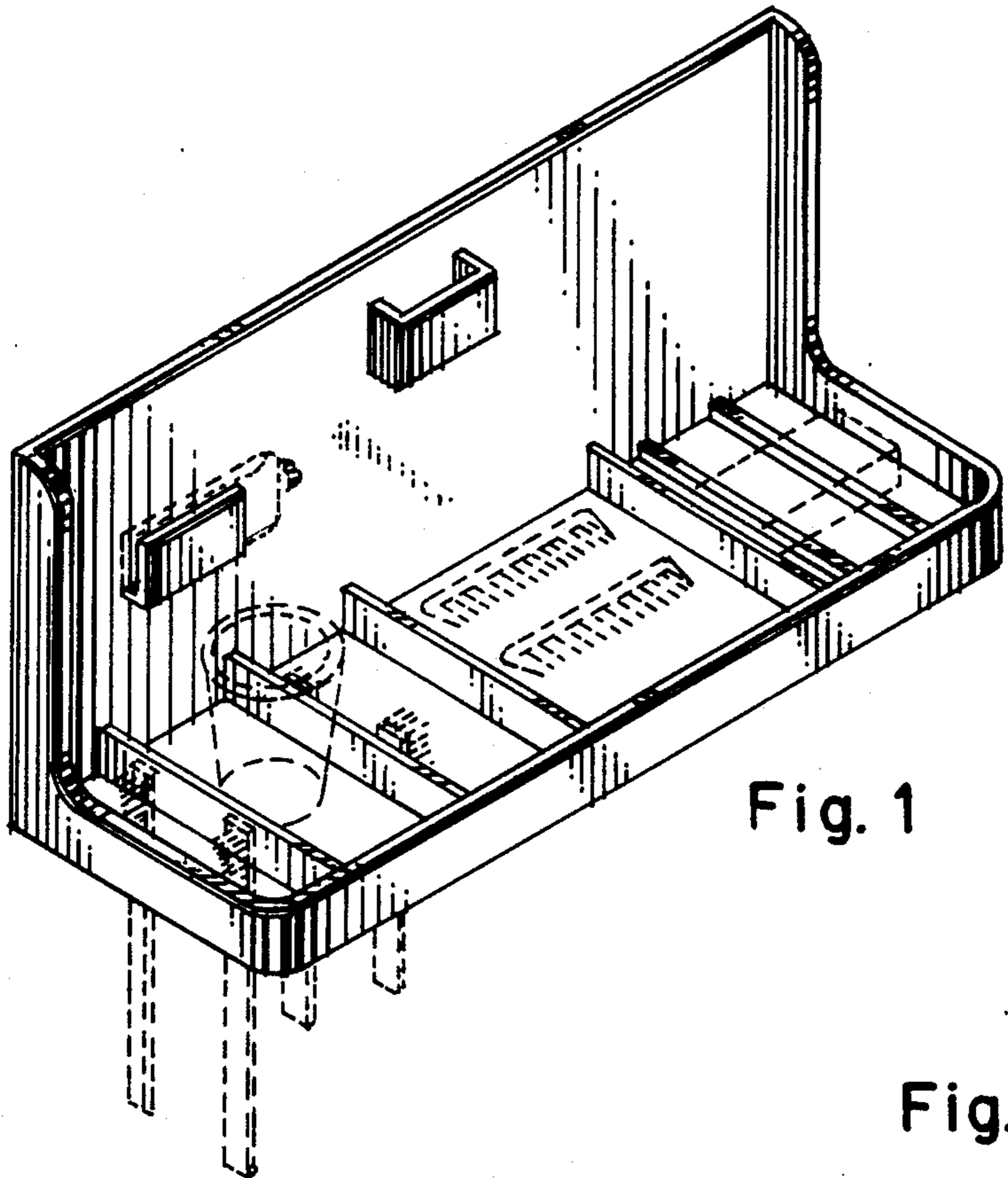


Fig. 1

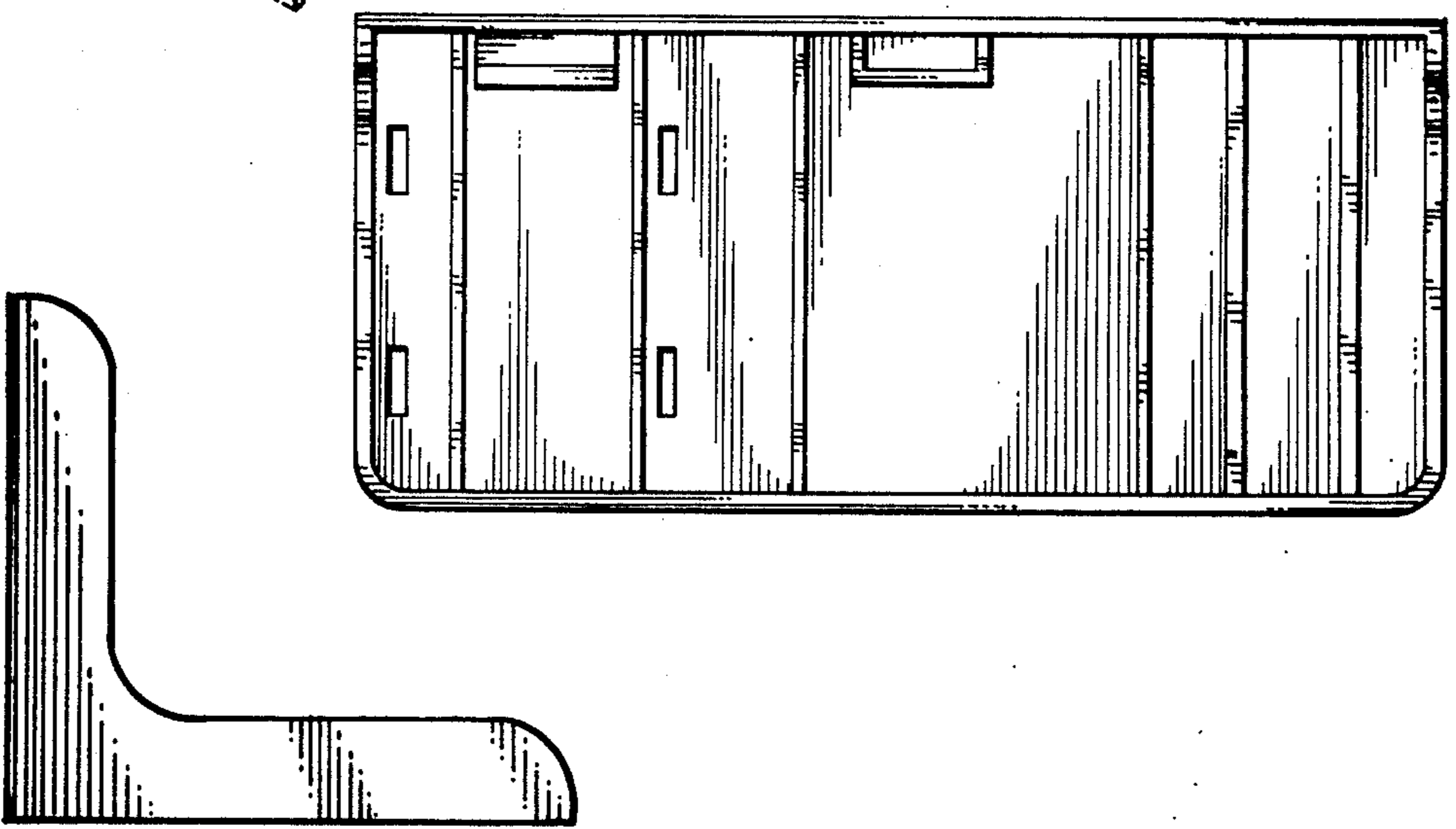


Fig. 2

Fig. 3

