

[54] DISPLAY RACK

[76] Inventor: Steven I. Haber, 2522 Heights, Lansing, Mich. 48912

[\*\*] Term: 14 Years

[21] Appl. No.: 734,113

[22] Filed: Oct. 20, 1976

[51] Int. Cl. .... D20-02

[52] U.S. Cl. .... D6/28; D6/85; D6/157

[58] Field of Search ..... D6/20, 25, 28, 29, 85, D6/114, 116, 130, 132, 127-129, 136, 140, 146, 152, 158, 167, 172, 175, 186, 188, 189, 157; 211/13, 32, 45, 49 R, 49 S, 87, 88, 105.1, 106, 123, 129, 131, 163, 169, 181, 182

[56] References Cited

U.S. PATENT DOCUMENTS

D. 109,501	5/1938	Salomon .....	D6/28
D. 229,878	1/1974	Saika .....	D6/28
1,280,174	10/1918	Dancer .....	211/45

FOREIGN PATENT DOCUMENTS

820,062 11/1951 Fed. Rep. of Germany ..... 211/45

Primary Examiner—Wallace R. Burke

Assistant Examiner—B. J. Bullock

Attorney, Agent, or Firm—Claude A. Patalidis

[57] CLAIM

The ornamental design for a display rack, as shown and described.

DESCRIPTION

FIG. 1 is a reduced perspective view of a display rack showing my new design, the broken lines being for illustrative purpose only; FIG. 2 is a side elevational view thereof; FIG. 3 is a front elevational view thereof; and FIG. 4 is a rear elevational view thereof.

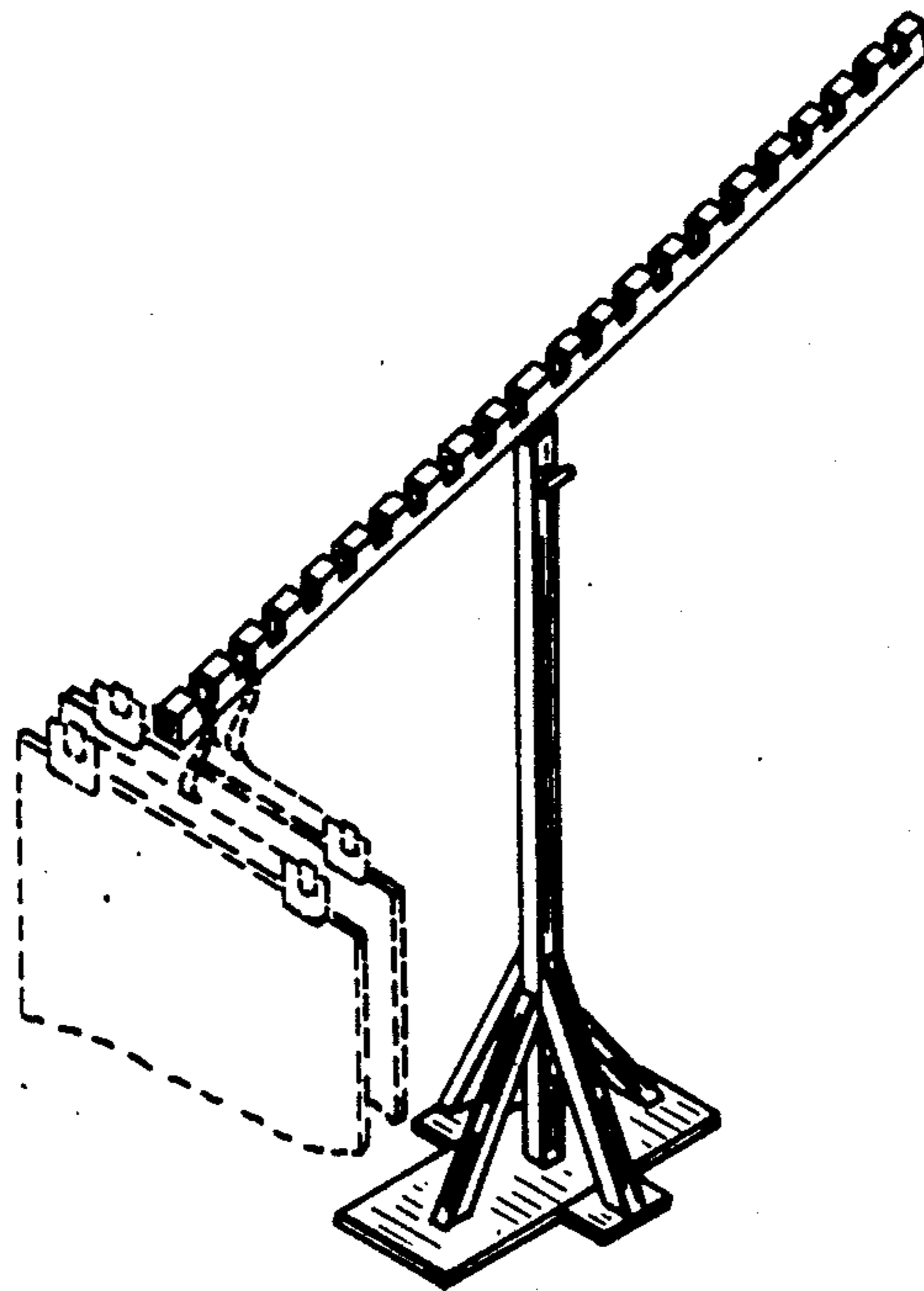


FIG. 1

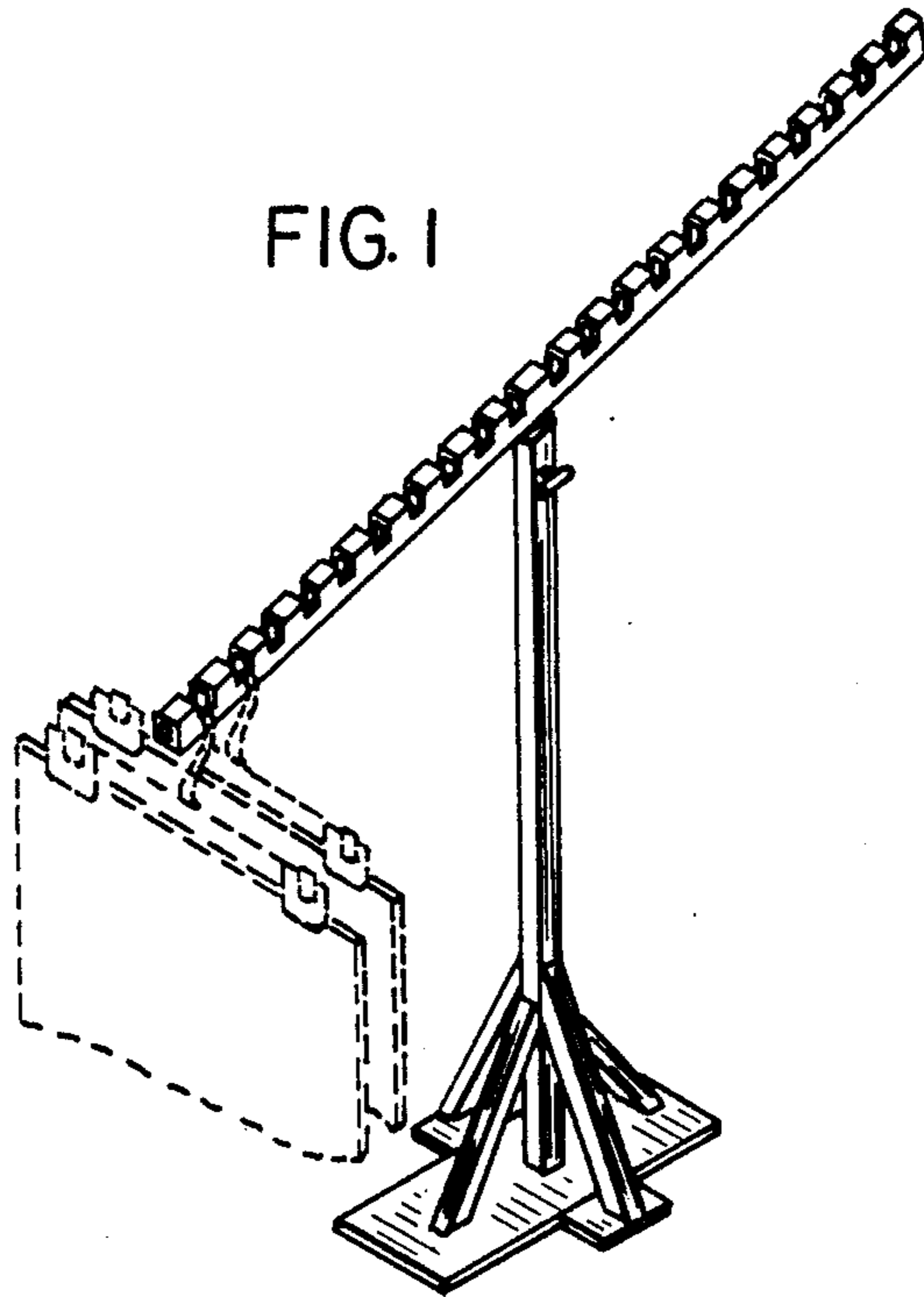


FIG. 3

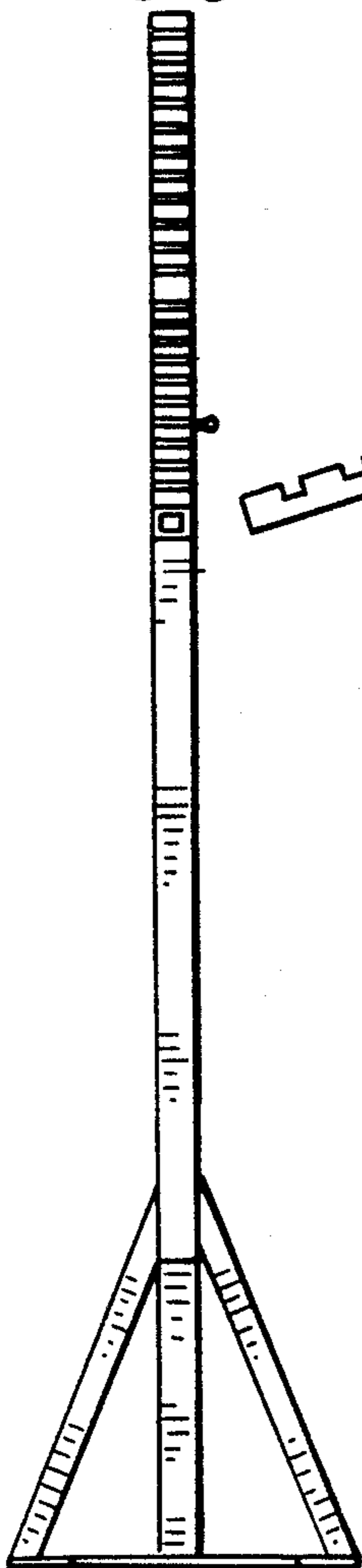


FIG. 2

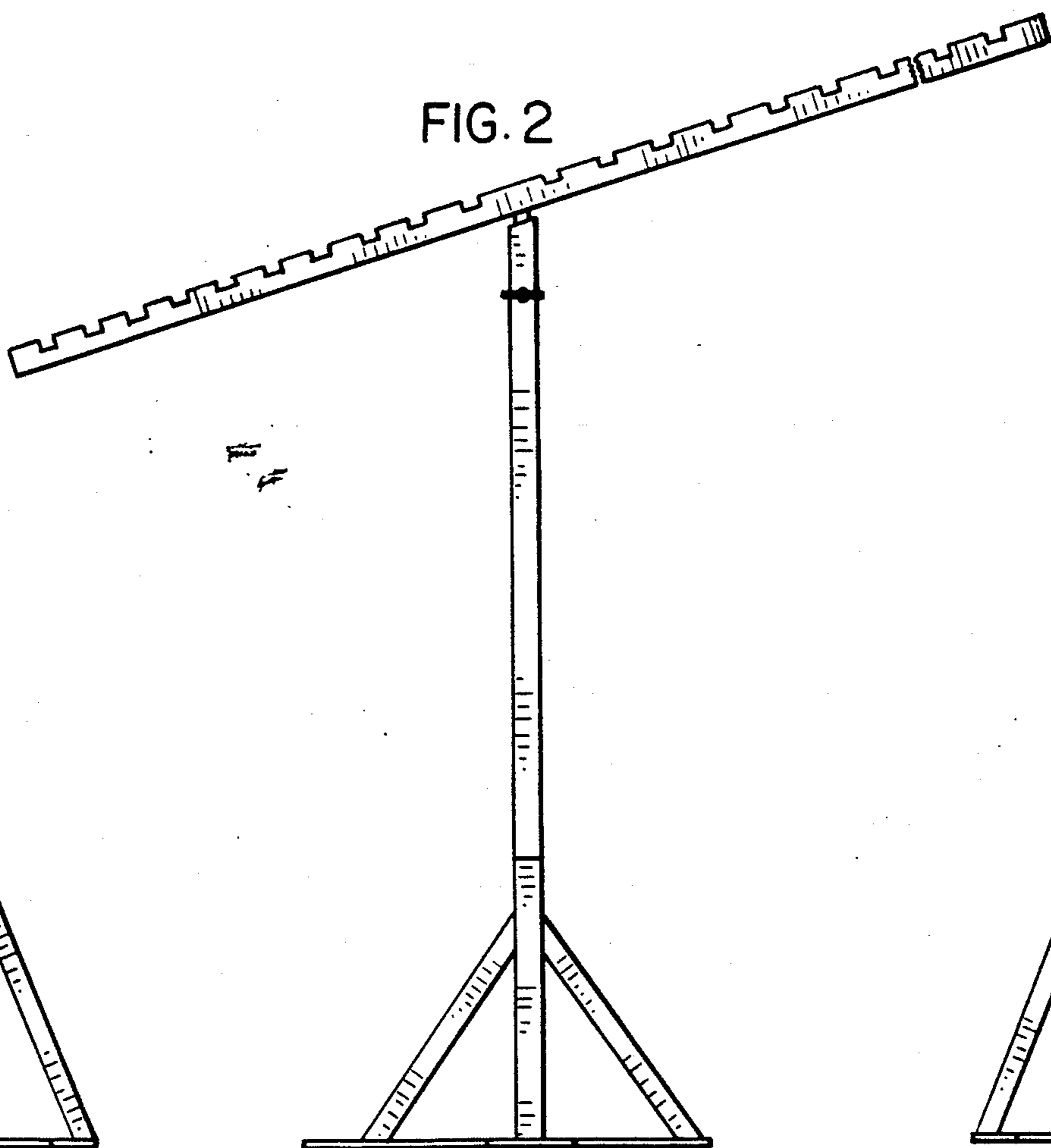


FIG. 4

