

[54] CALCULATOR

[76] Inventor: Joseph Rose, 7 Ashland Pl., E. Northport, N.Y. 11731

[**] Term: 14 Years

[21] Appl. No.: 760,029

[22] Filed: Jan. 17, 1977

[51] Int. Cl. D18-01

[52] U.S. Cl. D64/11 B

[58] Field of Search 200/5 A; 235/145 R; D64/11 B, 11 C

[56] References Cited

U.S. PATENT DOCUMENTS

D. 236,353 8/1975 Link D64/11 B
3,017,088 1/1962 Edwards et al. 235/145 R

OTHER PUBLICATIONS

Computer Design, Mar. 1976, p. 114, Portable Terminal.

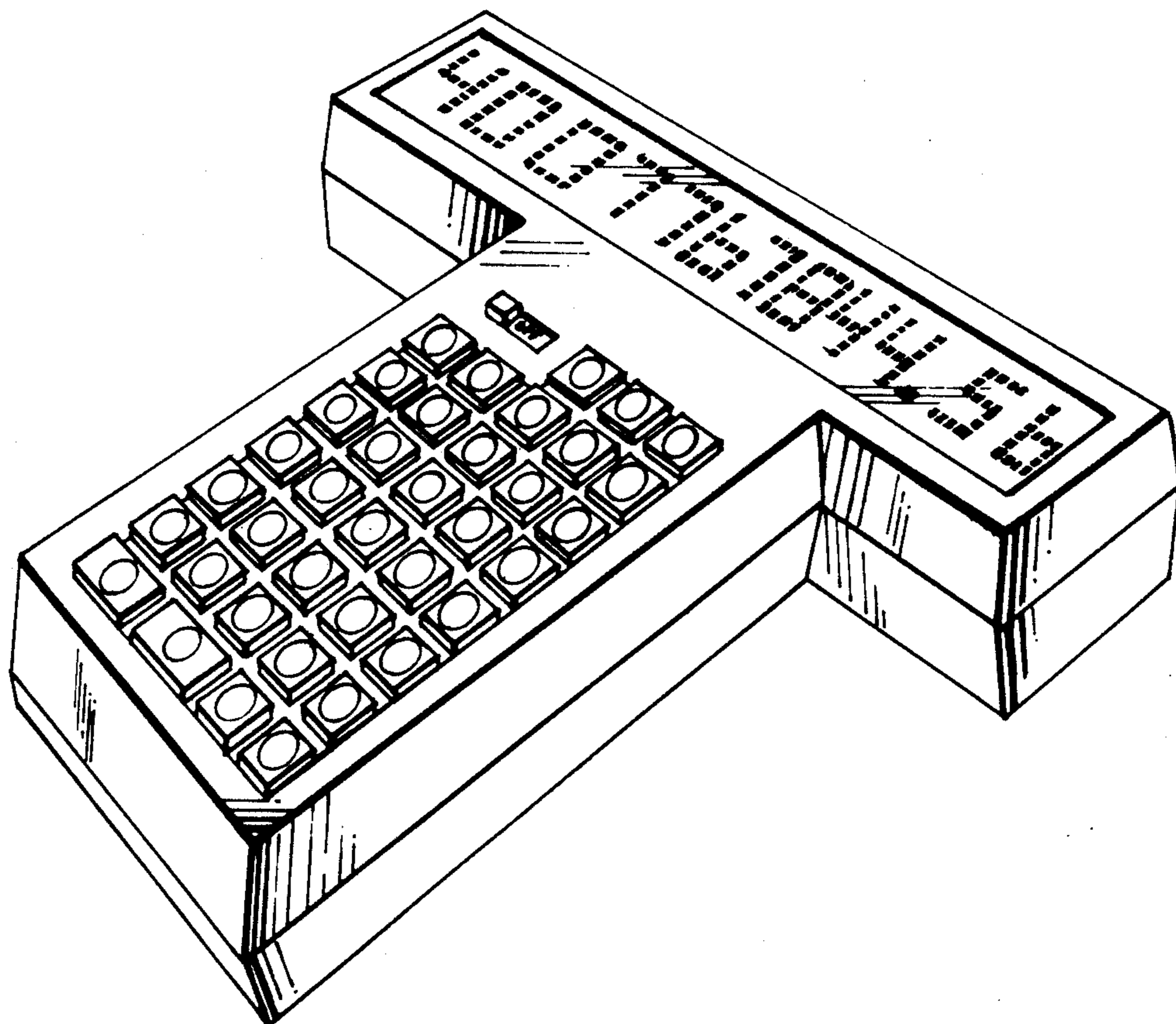
Primary Examiner—Susan J. Lucas
Attorney, Agent, or Firm—Fernanda M. Fiordalisi

[57] CLAIM

The ornamental design for a calculator, substantially as shown and described.

DESCRIPTION

FIG. 1 is a top front perspective view of a calculator showing my new design;
FIG. 2 is a bottom front perspective view thereof;
FIG. 3 is a rear view thereof.
The numerals are shown in broken lines for illustrative purposes only.



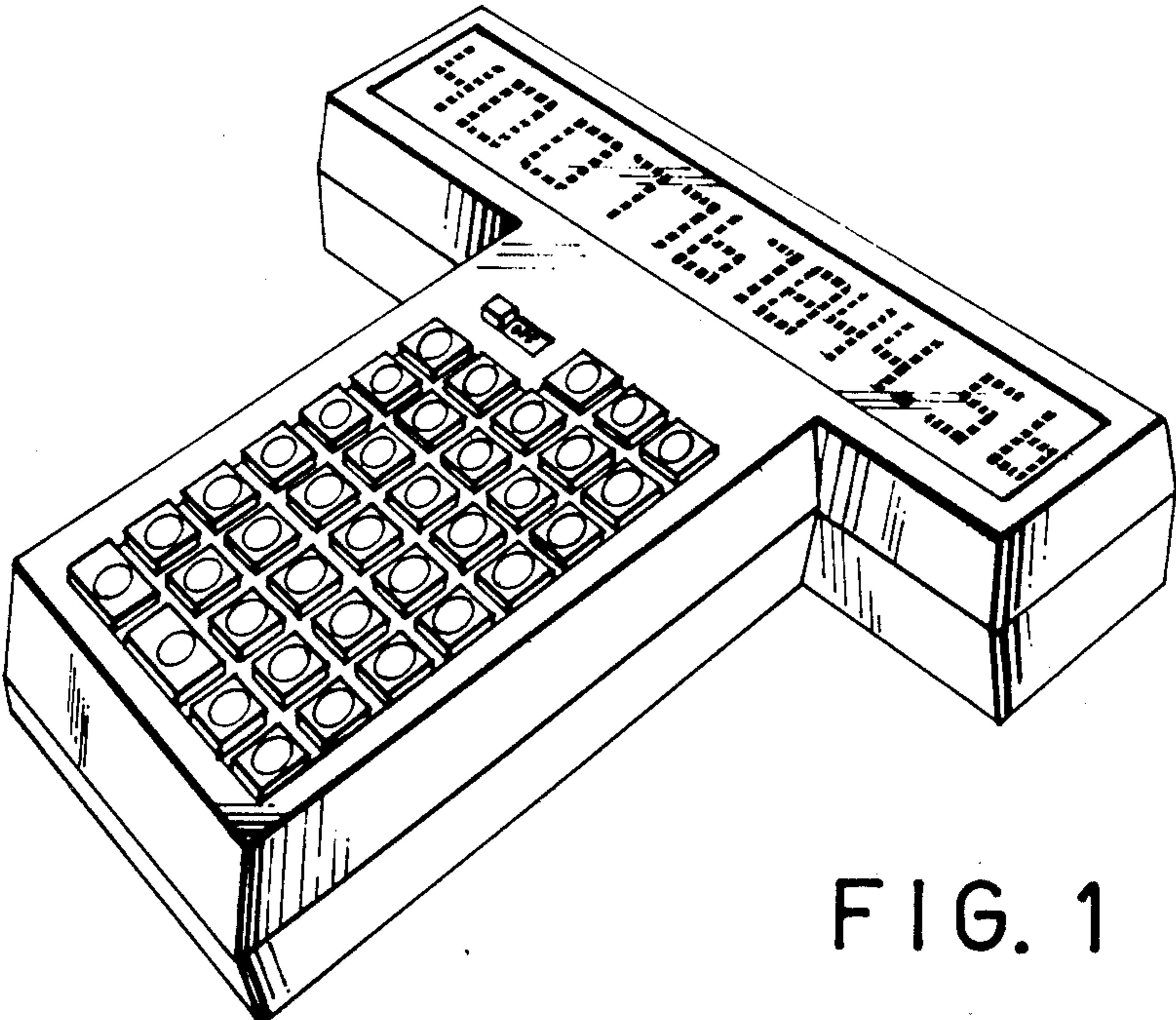


FIG. 1

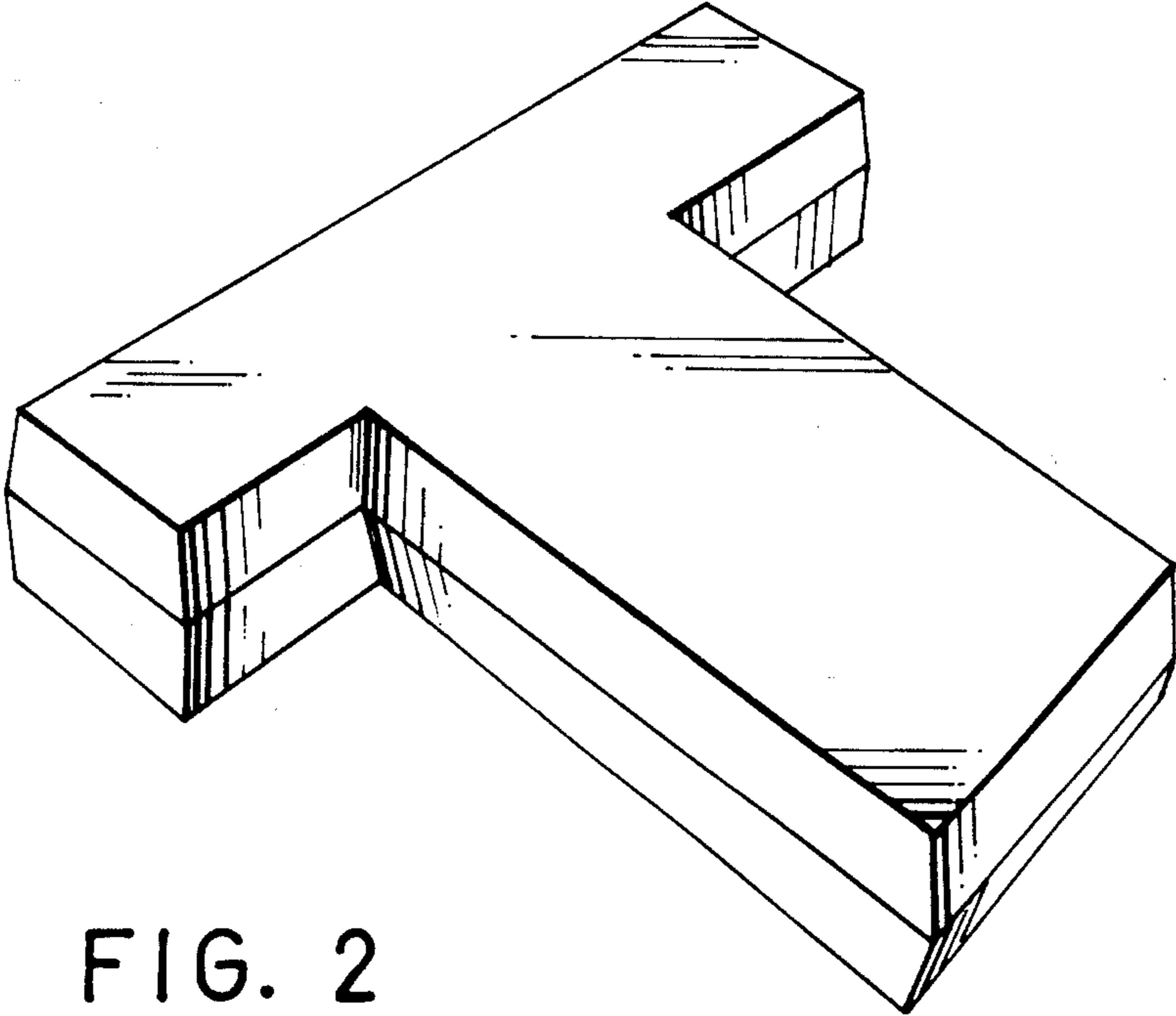


FIG. 2

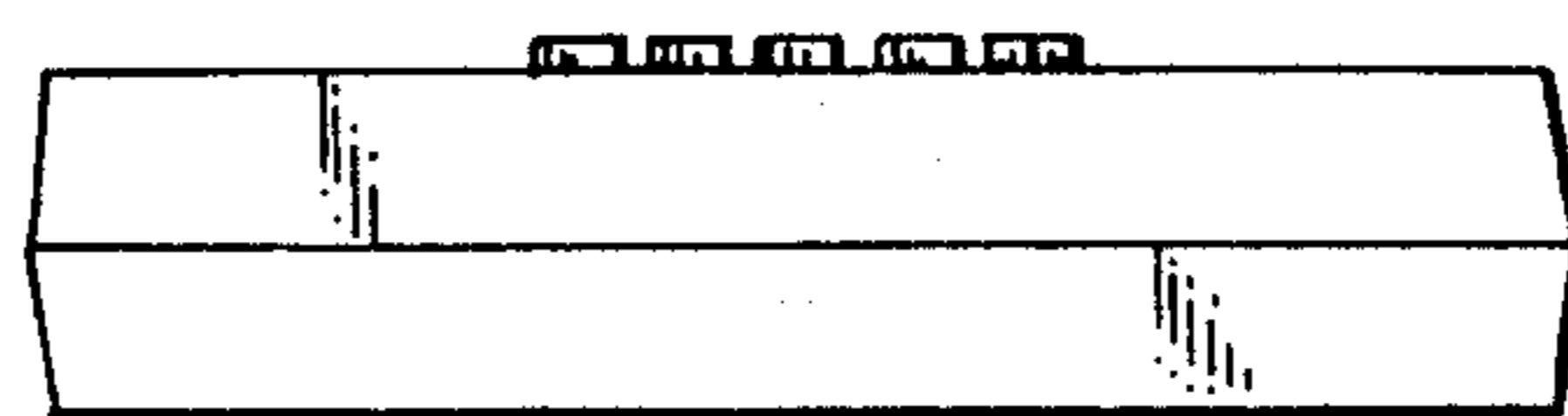


FIG. 3