

[54] PORTABLE LABELER

[75] Inventor: Yo Sato, Tokyo, Japan

[73] Assignee: Kabushiki Kaisha Sato, Tokyo, Japan

[\*\*] Term: 14 Years

[21] Appl. No.: 696,630

[22] Filed: Jun. 16, 1976

[30] Foreign Application Priority Data

Dec. 18, 1975 [JP] Japan ..... 50-49561

[51] Int. Cl. .... D18-99

[52] U.S. Cl. .... D64/10

[58] Field of Search ..... D64/10; 156/384

[56] References Cited

U.S. PATENT DOCUMENTS

Re. 27,889 1/1974 Sato et al. .... 156/384  
D. 237,746 11/1975 Sato ..... D64/10

OTHER PUBLICATIONS

*Liquor Store Magazine*, Sep. 1973, p. 13 - Primark Labeler at bottom right.

*Liquor Store Magazine*, Sep. 1975, p. 37 - Denmson 220 Hand Labeler.

Primary Examiner—Joel Stearman

Assistant Examiner—Louis S. Zerfas

Attorney, Agent, or Firm—Sidney G. Faber

[57] CLAIM

The ornamental design for a portable labeler, as shown.

DESCRIPTION

FIG. 1 is a perspective view of a portable labeler showing my new design;

FIG. 2 is a right side elevational view thereof;

FIG. 3 is a left side elevational view thereof;

FIG. 4 is a top plan view thereof;

FIG. 5 is a bottom plan view thereof;

FIG. 6 is a front elevational view thereof;

FIG. 7 is a rear elevational view thereof; and

FIG. 8 is a partial perspective view thereof in an alternate position.

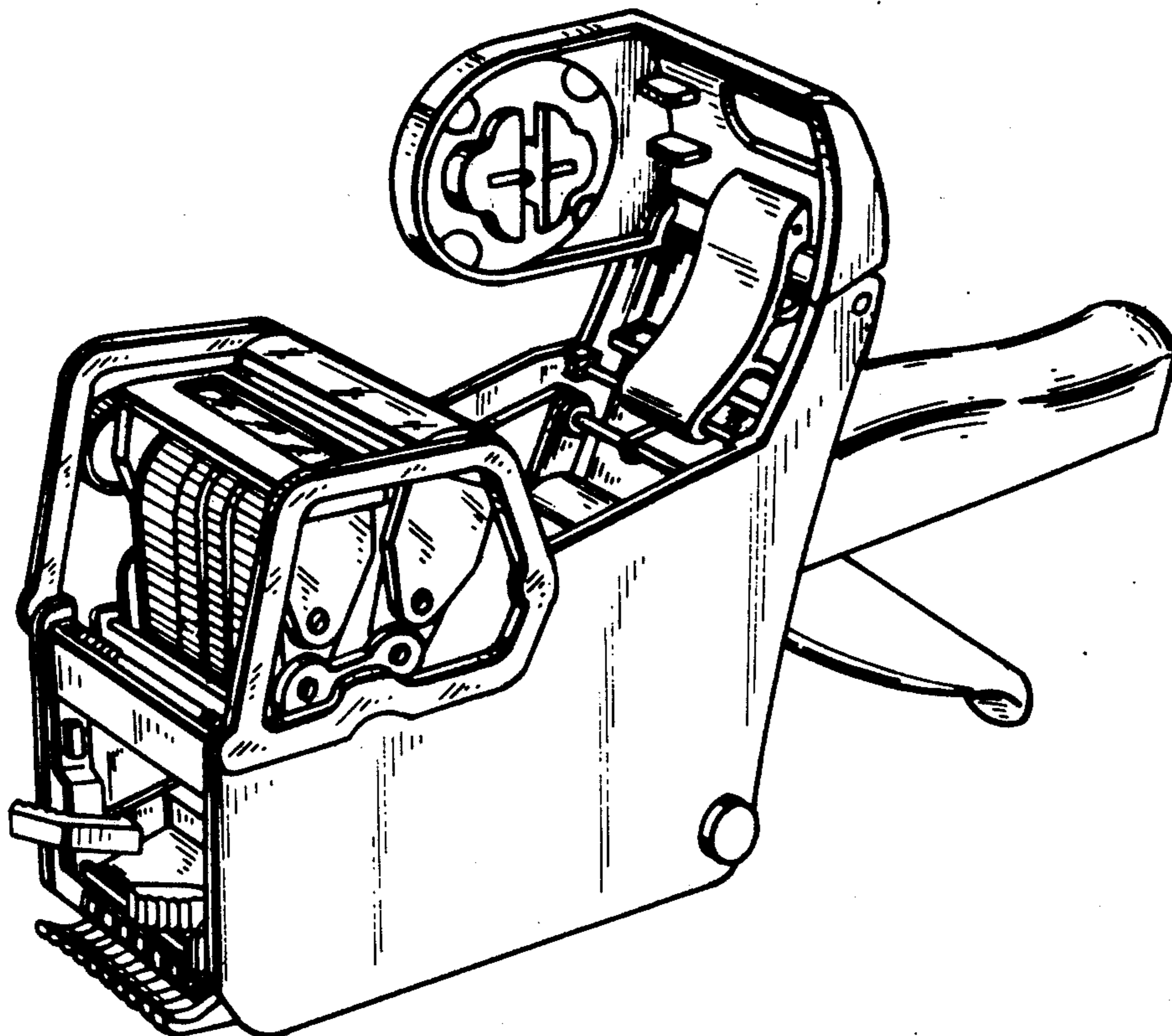


FIG. 1.

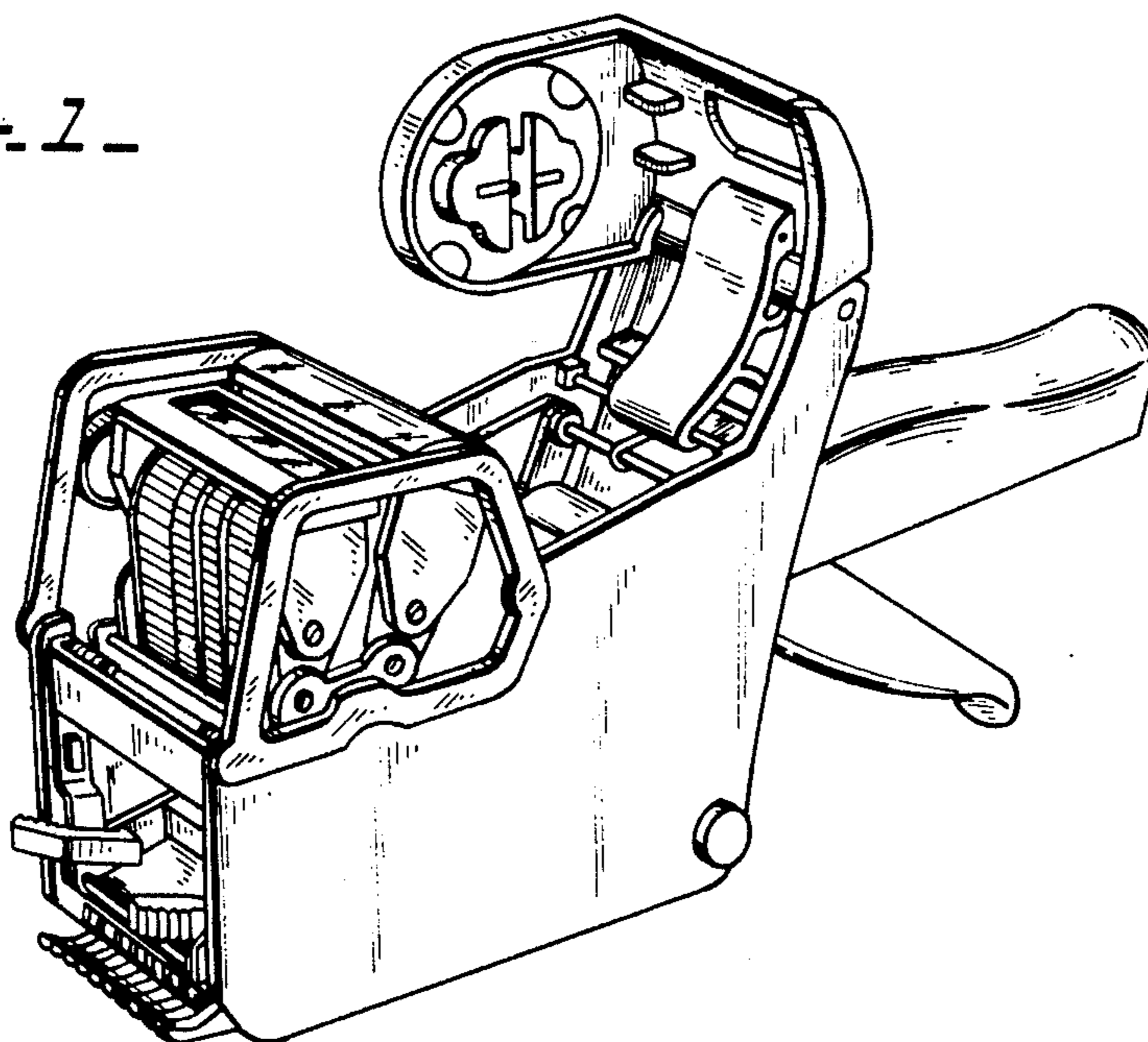


FIG. 2.

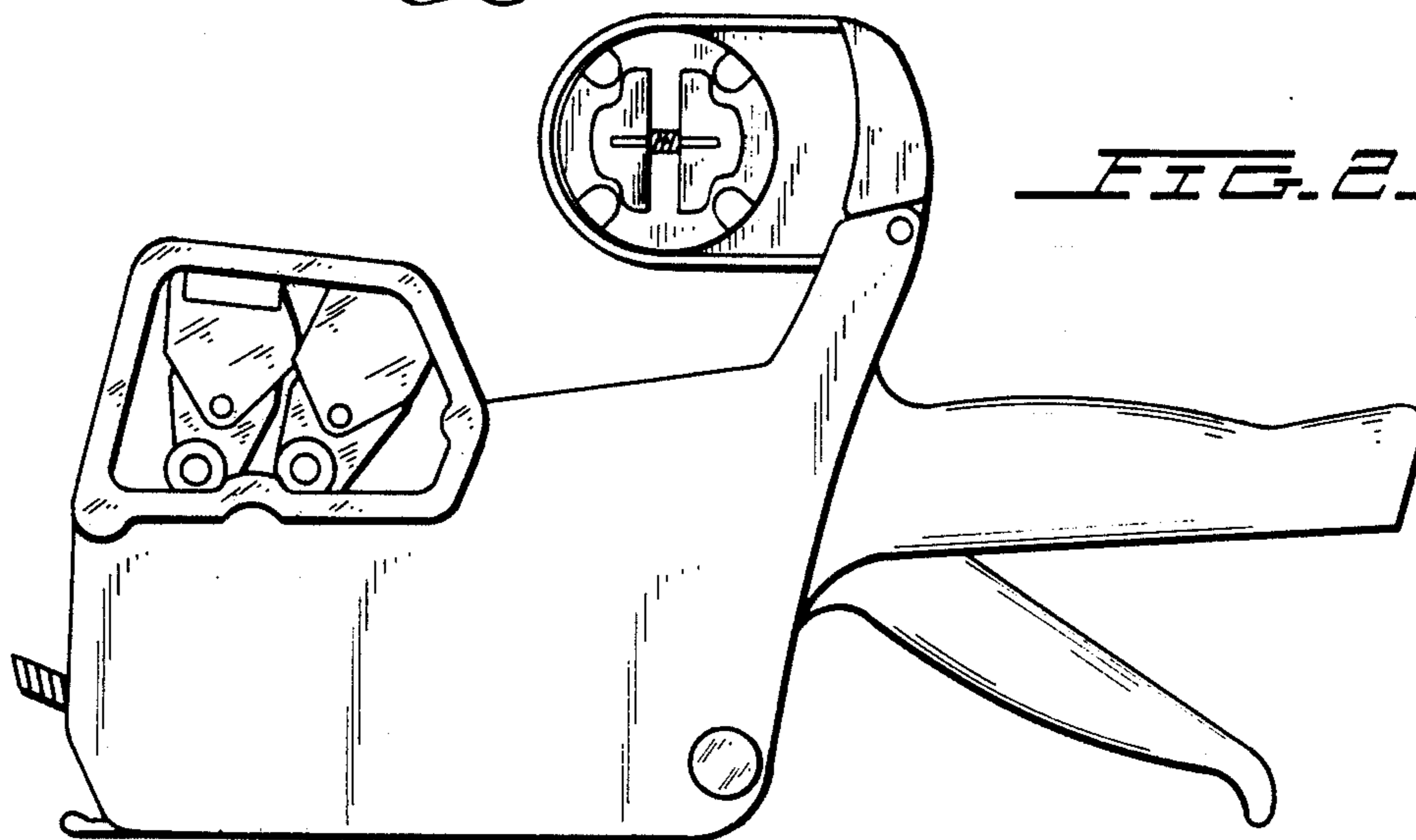
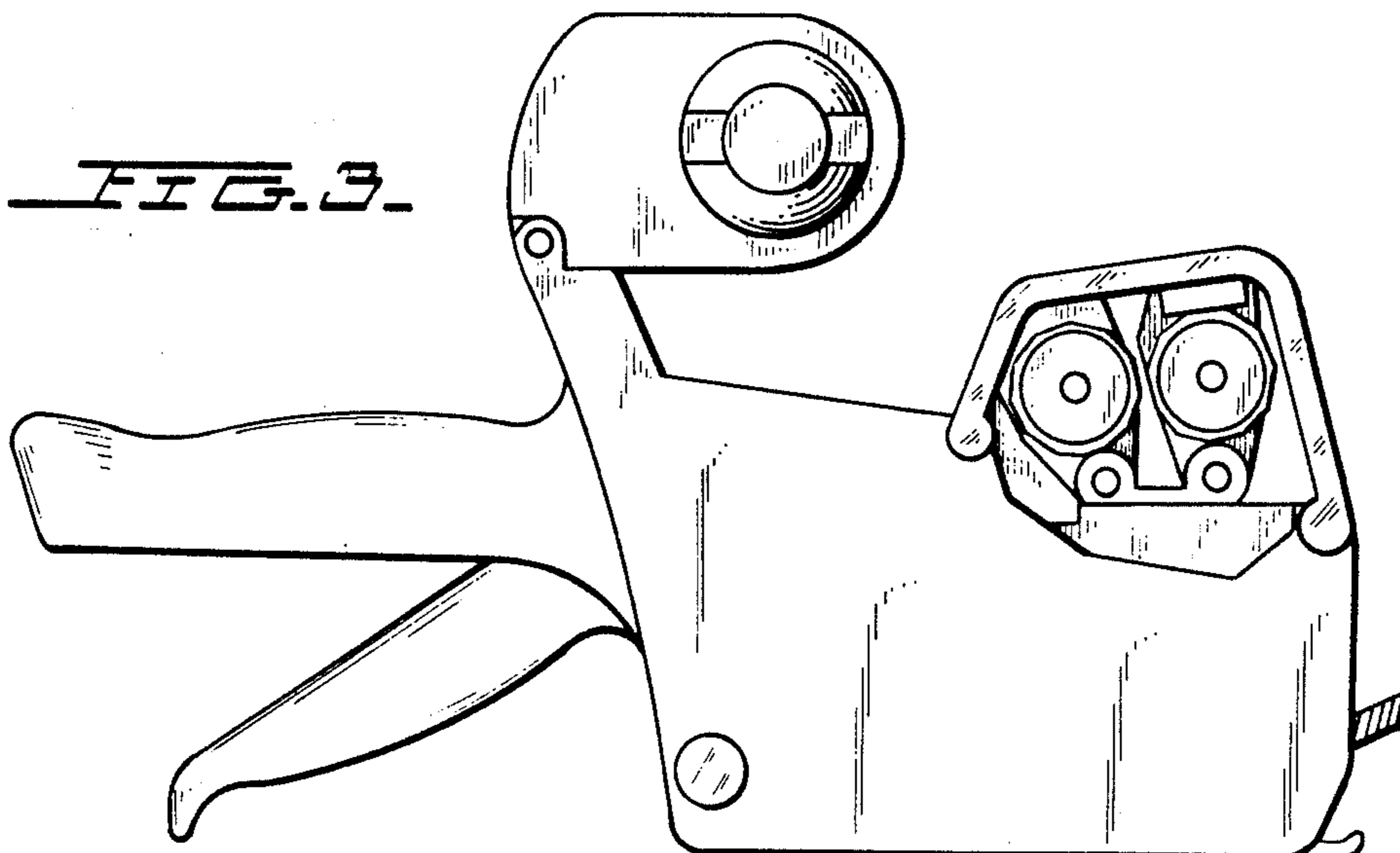


FIG. 3.



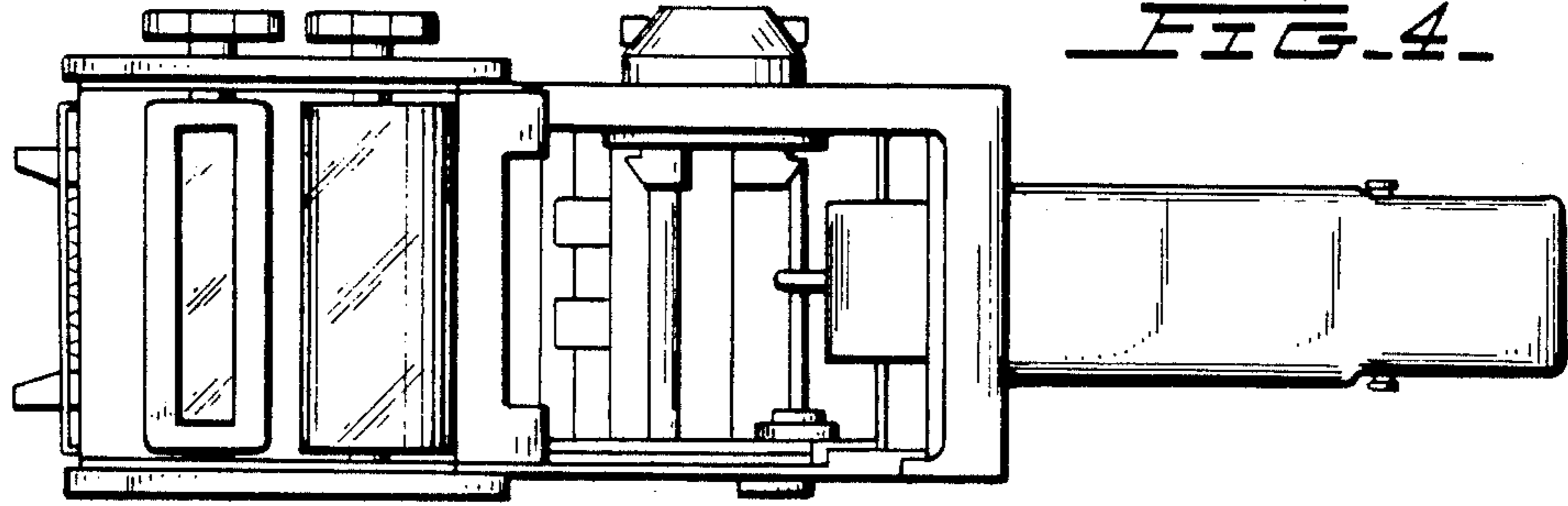


FIG. 4.

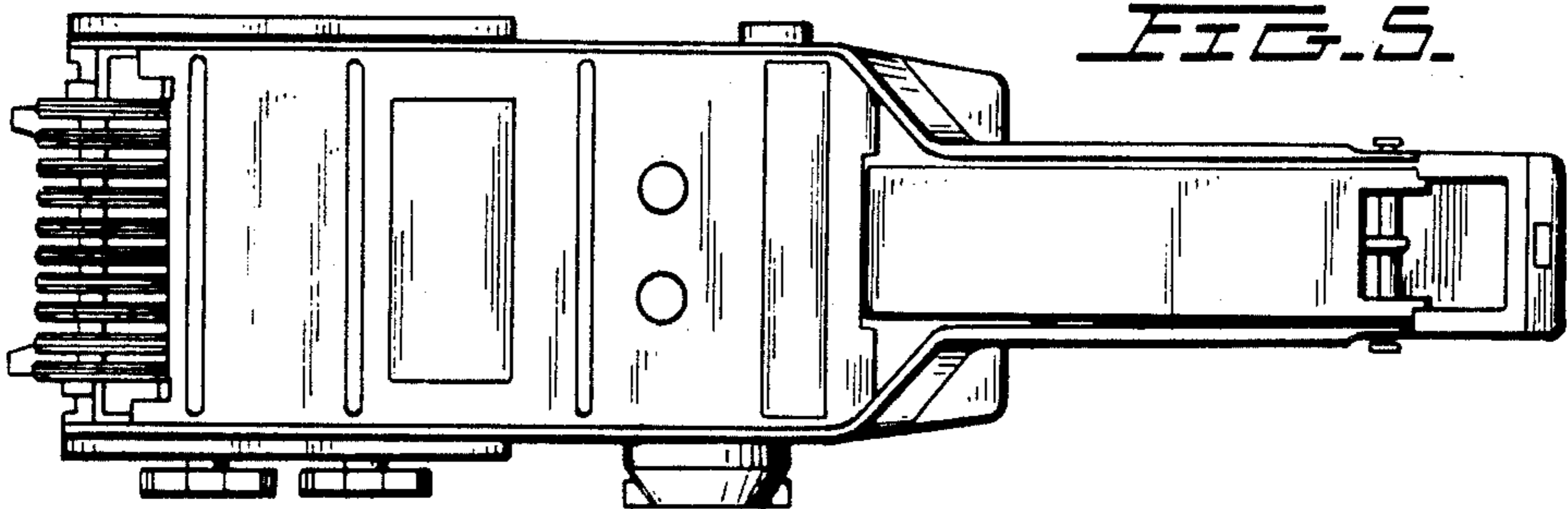


FIG. 5.

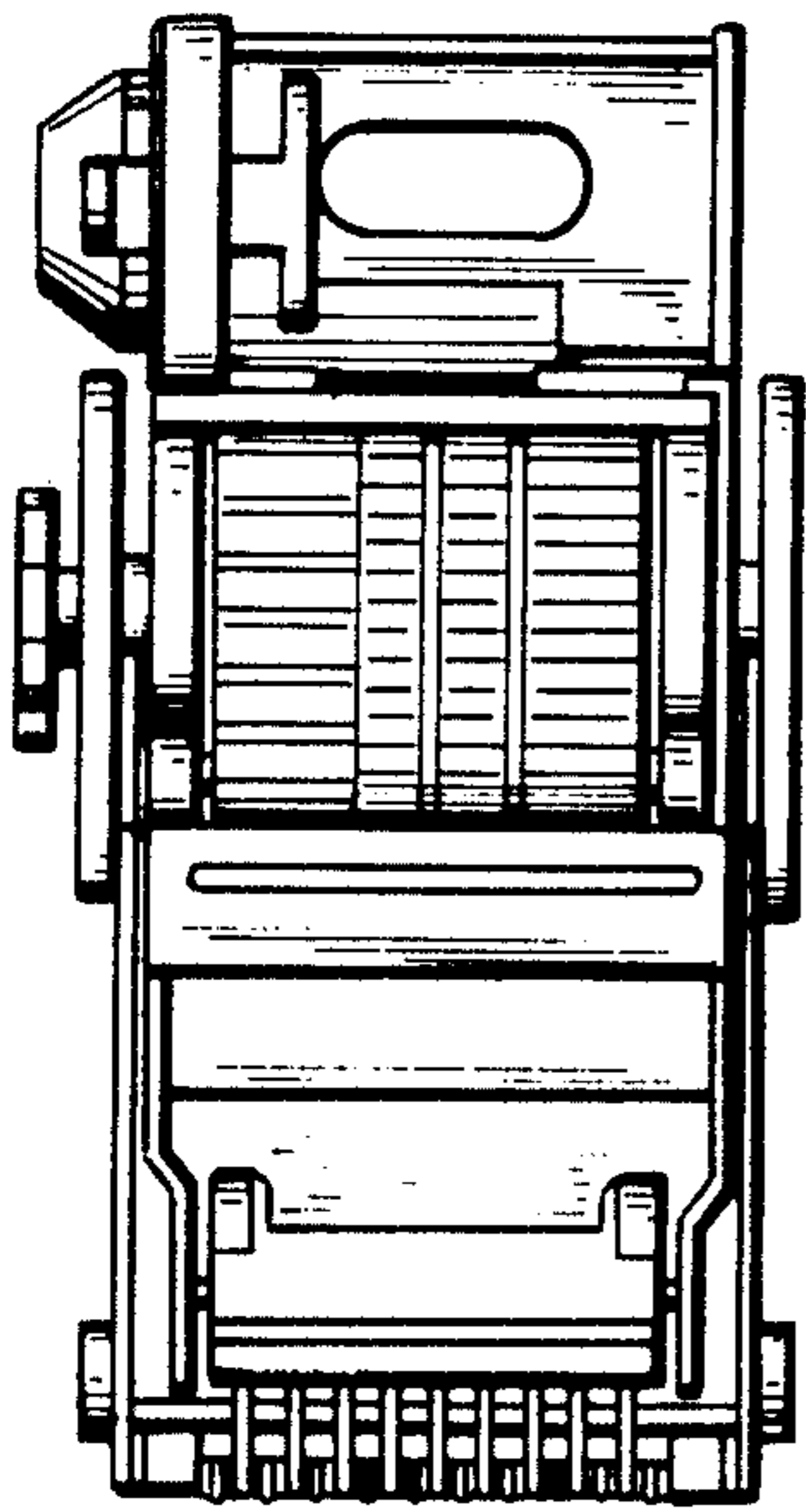


FIG. 6.

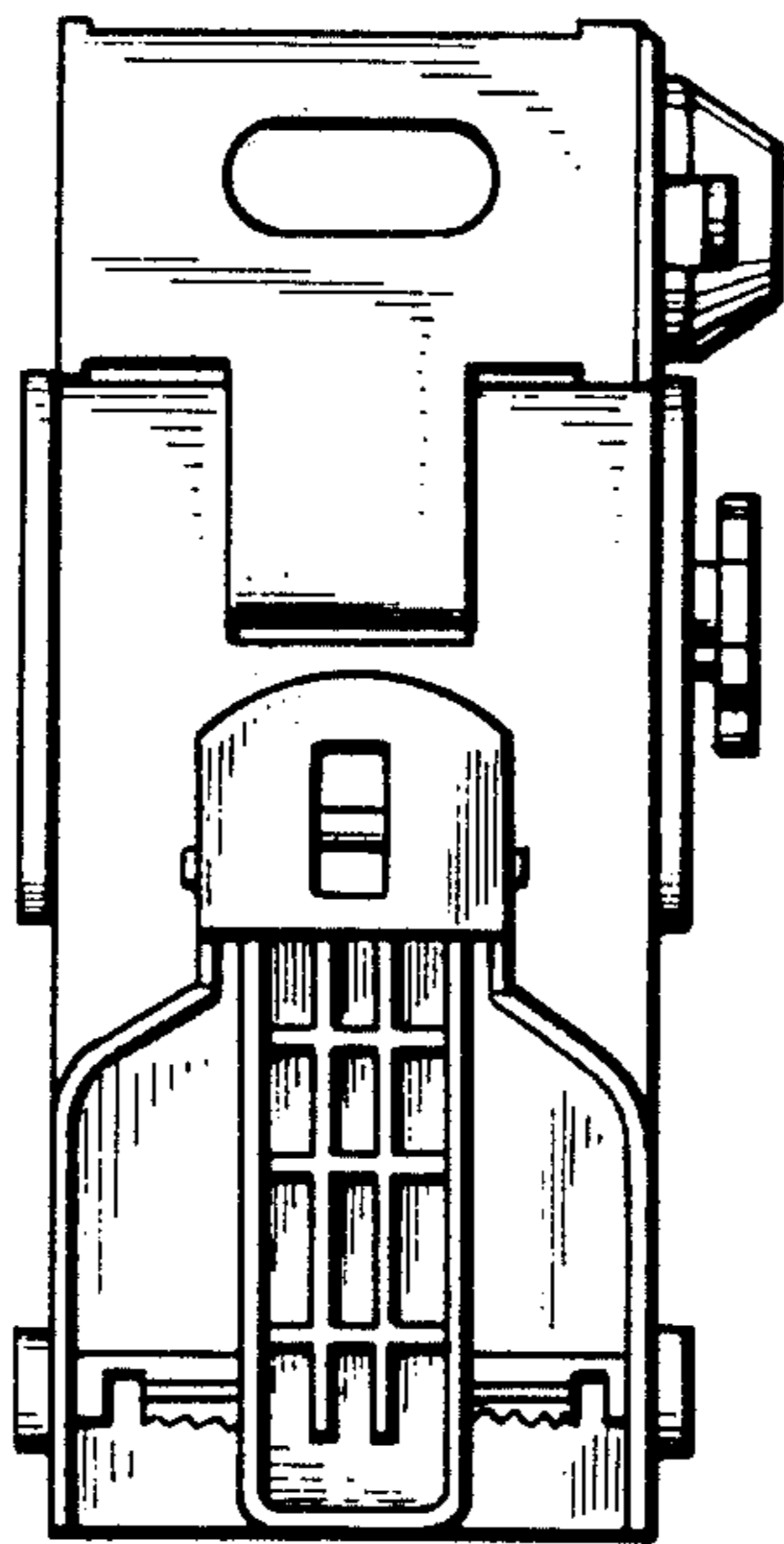


FIG. 7.

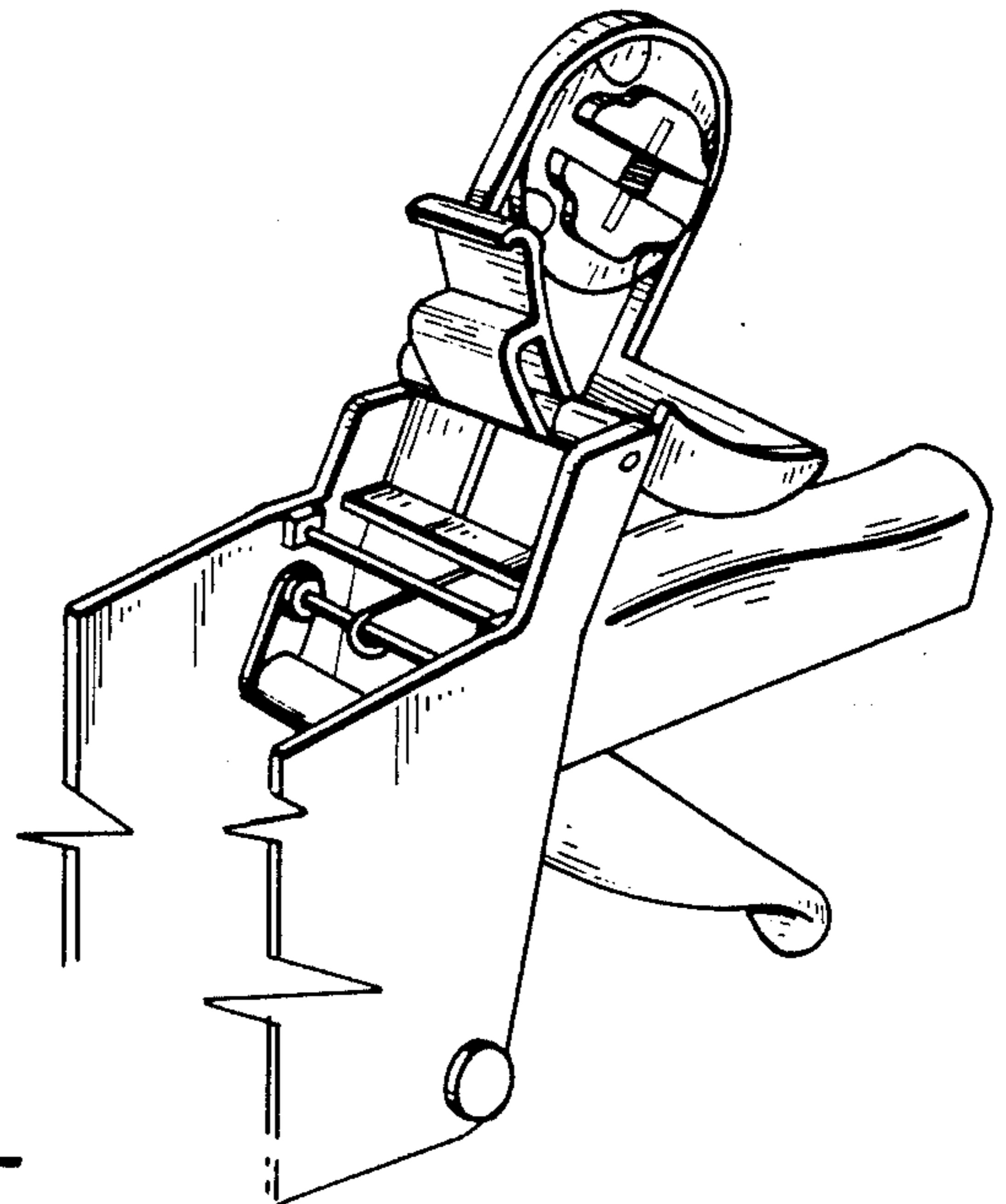


FIG. 8.

UNITED STATES PATENT AND TRADEMARK OFFICE  
CERTIFICATE OF CORRECTION

PATENT NO. : Des.250,292  
DATED : November 14, 1978  
INVENTOR(S) : Yo Sato

It is certified that error appears in the above-identified patent and that said Letters Patent are hereby corrected as shown below:

Change [73] Assignee: Kabushiki Kaisha Sato, Tokyo, Japan  
to -- [73] Assignee: Kabushiki Kaisha Sato Kenkyusho, Tokyo,  
Japan.

**Signed and Sealed this**

*Third Day of April 1979*

[SEAL]

*Attest:*

**RUTH C. MASON**  
*Attesting Officer*

**DONALD W. BANNER**  
*Commissioner of Patents and Trademarks*