

[54] EXPLOSION PROOF HIGH INTENSITY DISCHARGE LAMP FOR MINES OR THE LIKE

[75] Inventor: Perfecto Dacal, Beckley, W. Va.

[73] Assignee: Control Products, Inc., Beckley, W. Va.

[**] Term: 14 Years

[21] Appl. No.: 751,023

[22] Filed: Dec. 14, 1976

[51] Int. Cl. D26-05

[52] U.S. Cl. D48/20 E

[58] Field of Search D48/20 E, 24 R, 24 B; 362/362, 263, 222, 223, 267

[56] References Cited

U.S. PATENT DOCUMENTS

D. 244,794	6/1977	Dacal	D48/20 E
2,003,342	6/1935	Cavanaugh	362/263
2,391,325	12/1945	Maurette	D48/20 E X

FOREIGN PATENT DOCUMENTS

819,819 9/1959 United Kingdom 364/164

OTHER PUBLICATIONS

Lighting, Apr. 1957, p. 50 - Fluorescent Lamp for Mines.

Primary Examiner—Susan J. Lucas
Attorney, Agent, or Firm—William E. Lucas

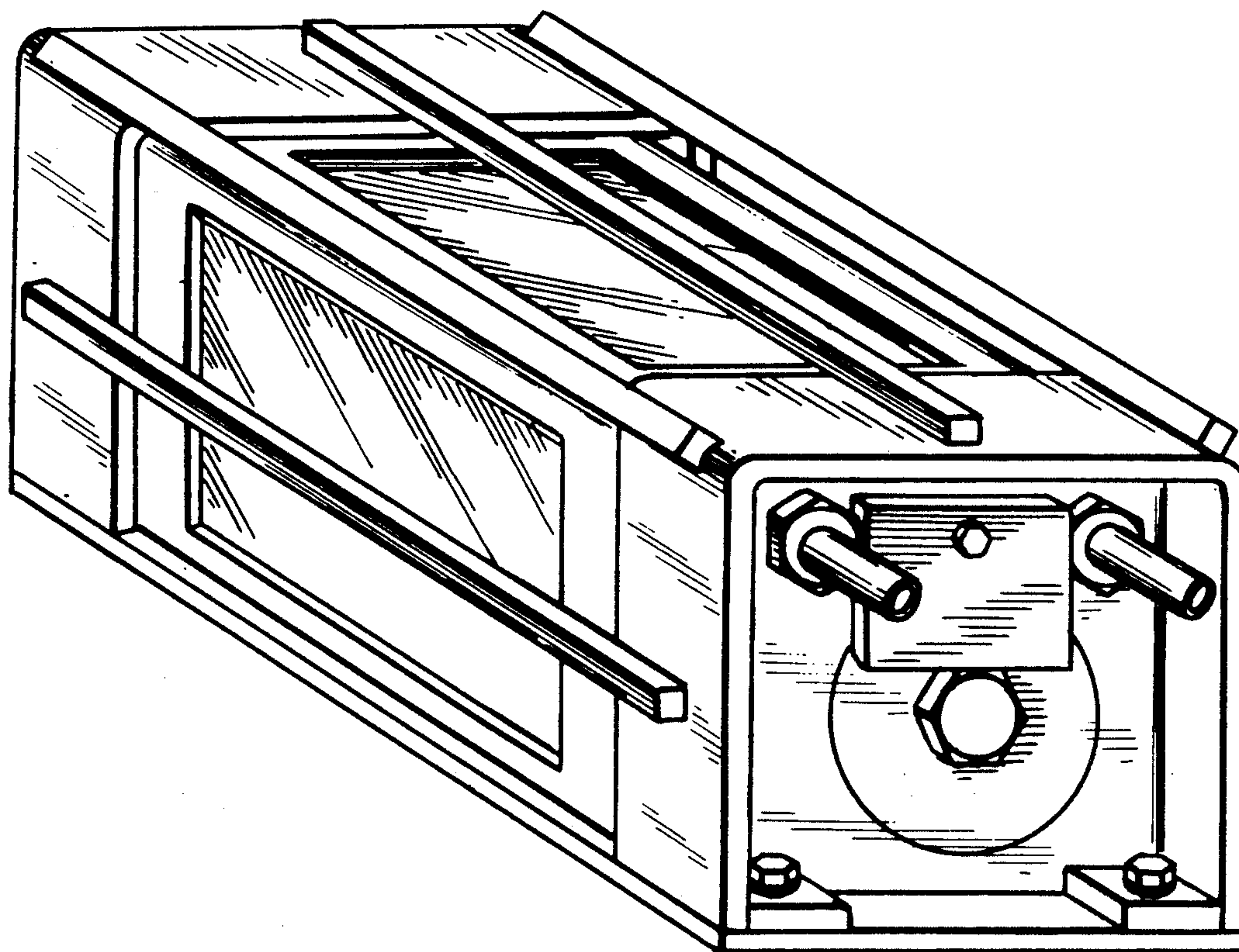
[57] CLAIM

The ornamental design for an explosion proof high intensity discharge lamp for mines or the like, substantially as shown and described.

DESCRIPTION

FIG. 1 is a perspective view of an explosion proof high intensity discharge lamp for mines or the like showing my new design;

FIG. 2 is a top view of FIG. 1 on an enlarged scale; FIG. 3 is an end view of FIG. 2 as seen from the right; FIG. 4 is an end view of FIG. 2 as seen from the left; FIG. 5 is a view of the side opposite that shown in FIG. 1 on an enlarged scale; and FIG. 6 is a perspective view of the end shown in FIG. 4.



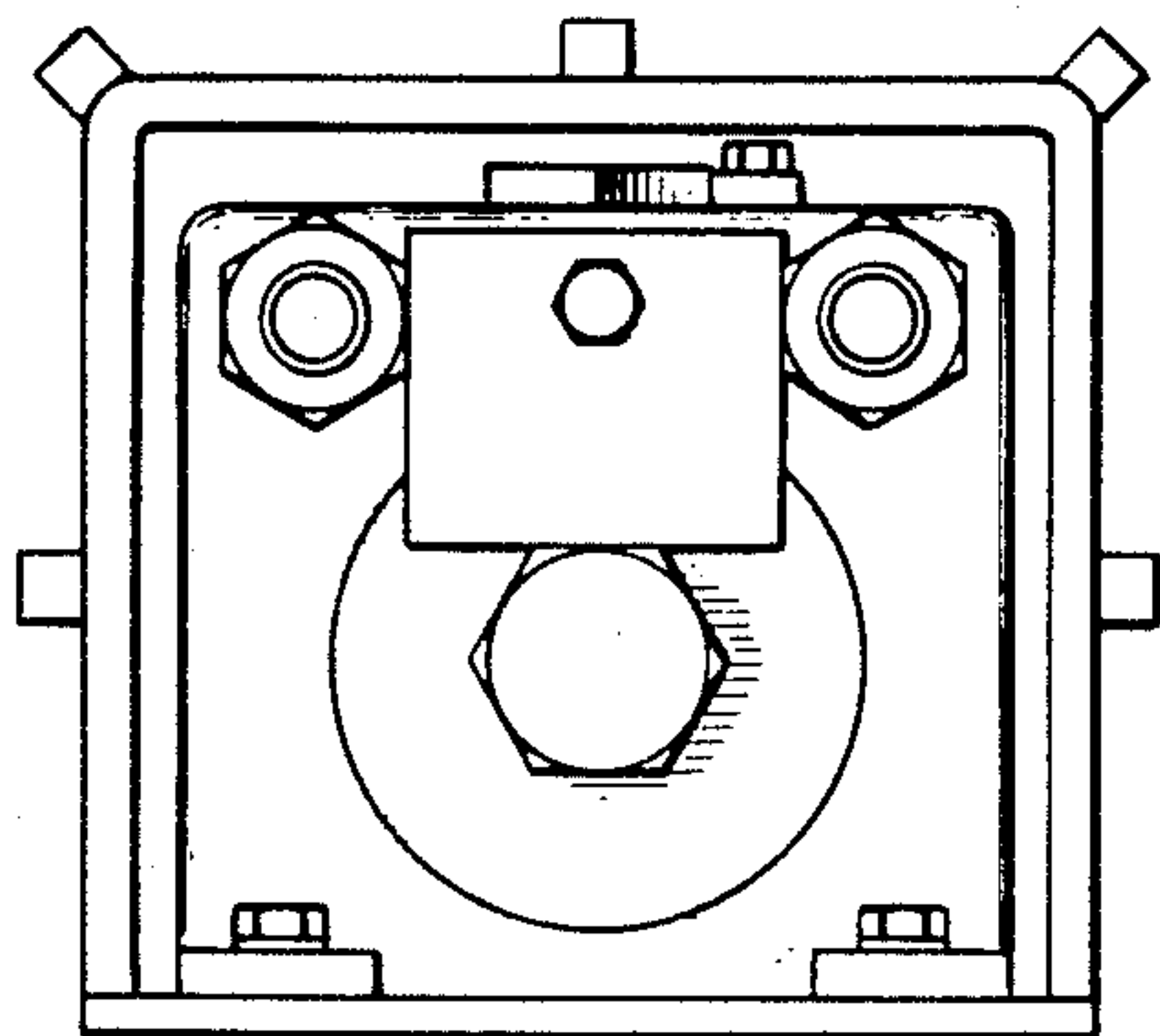
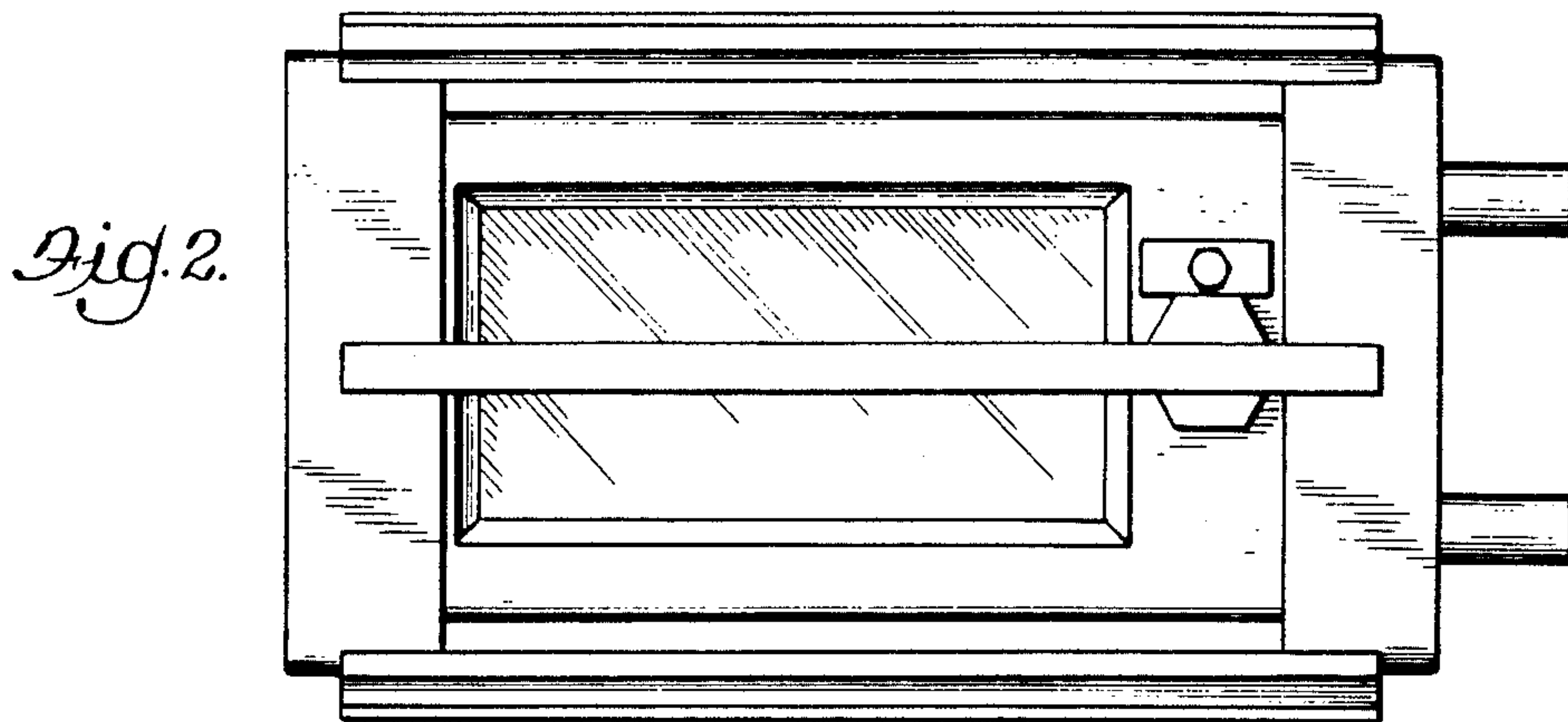
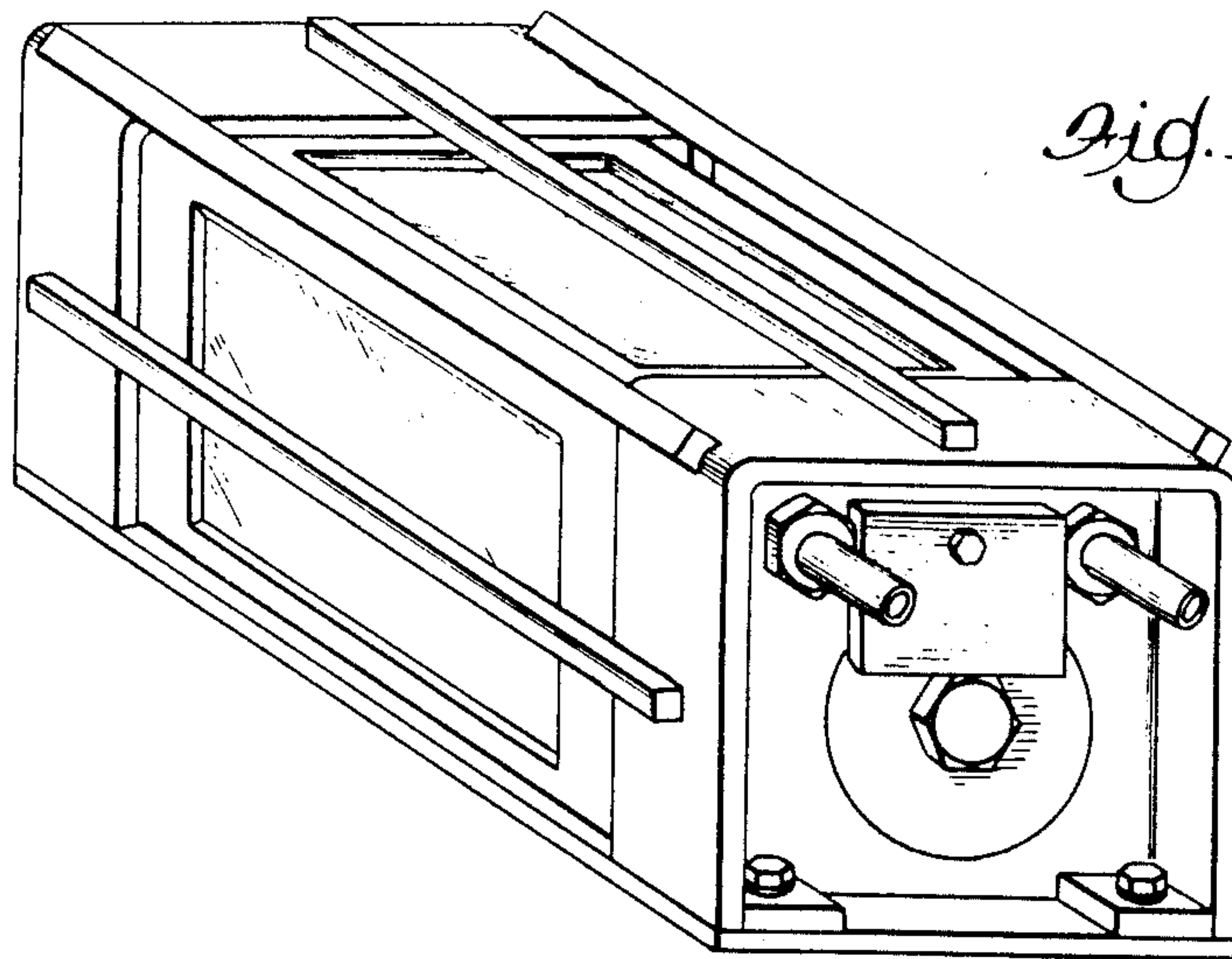


Fig. 3.

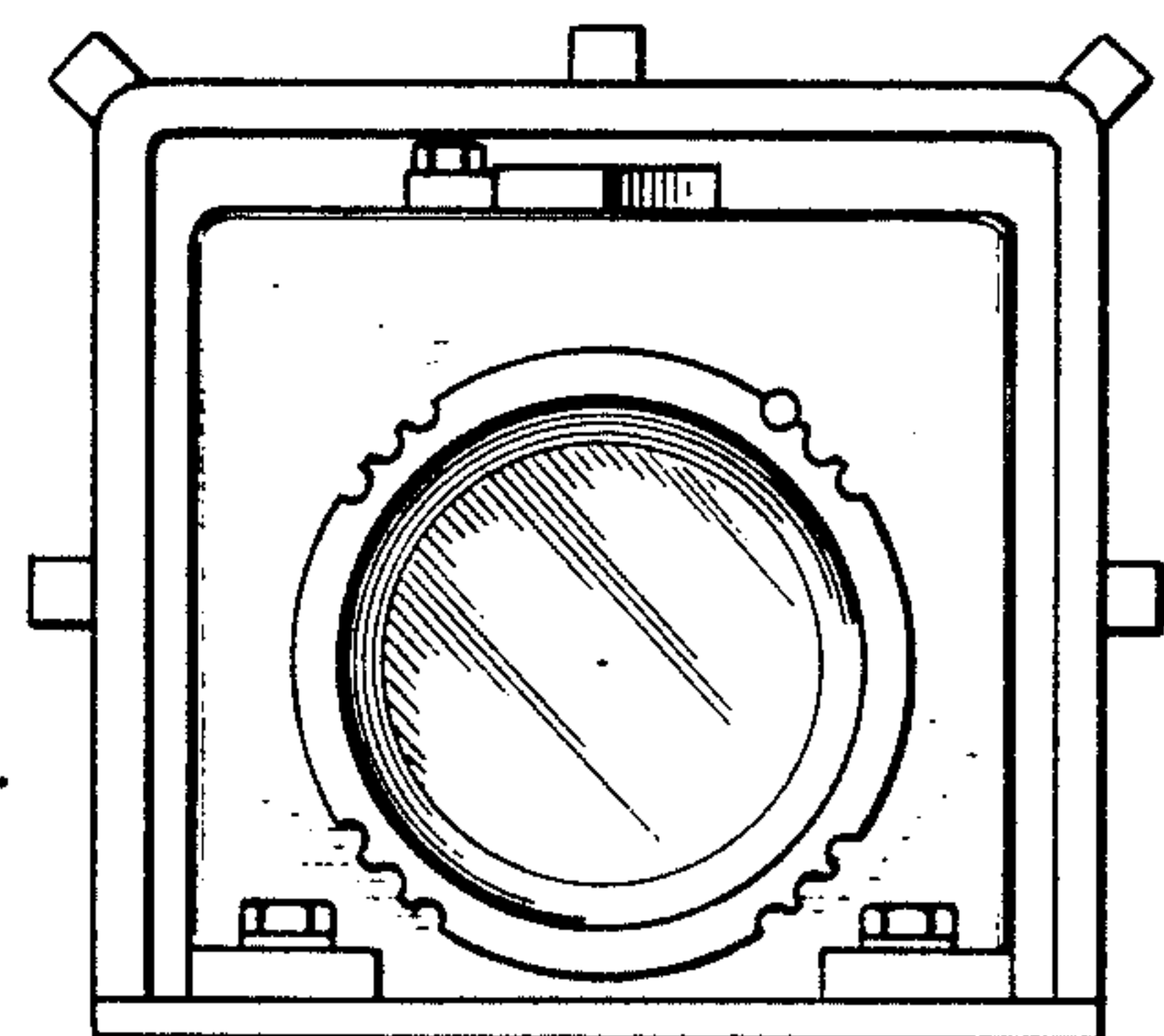


Fig. 4.

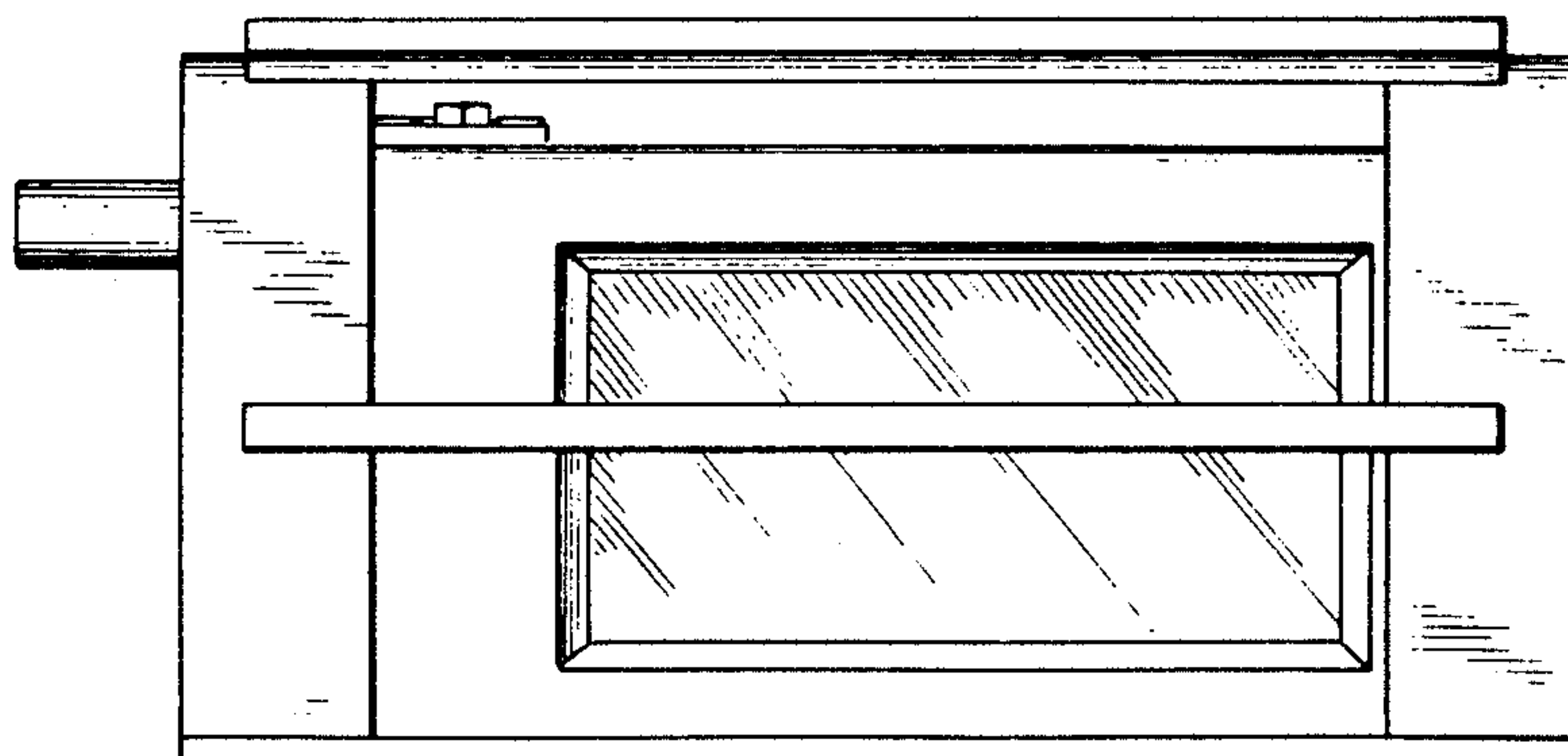


Fig. 5.

Fig. 6.

