

[54] BALANCING ACROBAT TOY

[76] Inventor: Robert W. Horner, 4199 Massillon Rd., Box 222, Uniontown, Ohio 44685

[**] Term: 14 Years

[21] Appl. No.: 786,957

[22] Filed: Apr. 12, 1977

[51] Int. Cl. D21-01

[52] U.S. Cl. D34/15 N

[58] Field of Search D34/15 N, 15 AD; 272/8 N; 46/131, 155; D11/160

[56] References Cited

U.S. PATENT DOCUMENTS

D. 220,625 5/1971 MacPherson D34/15 N
3,402,929 9/1968 Glass et al. 46/131

FOREIGN PATENT DOCUMENTS

518,384 3/1953 Belgium 46/131
587,480 11/1959 Canada 46/131

OTHER PUBLICATIONS

Gift & Dec. Accessories, 9-1971, p. 15, "Rocker Boy".

Primary Examiner—Joel Stearman

Assistant Examiner—C. A. Rademaker

Attorney, Agent, or Firm—Harold S. Meyer

[57] CLAIM

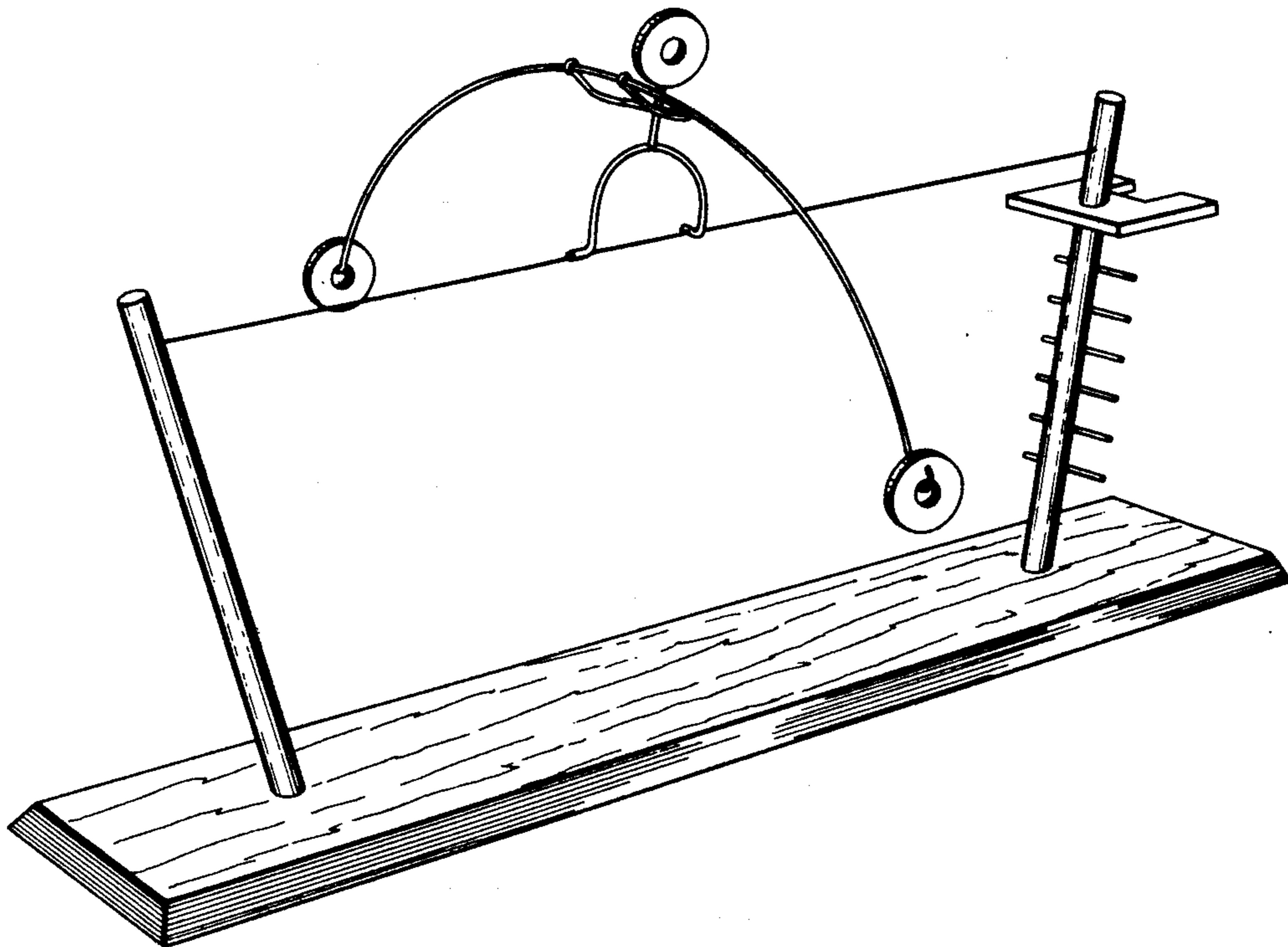
The ornamental design for a balancing acrobat toy, as shown.

DESCRIPTION

FIG. 1 is a perspective view of a balancing acrobat toy showing my new design;

FIG. 2 is a top plan view thereof; and,

FIG. 3 is a front elevational view thereof.



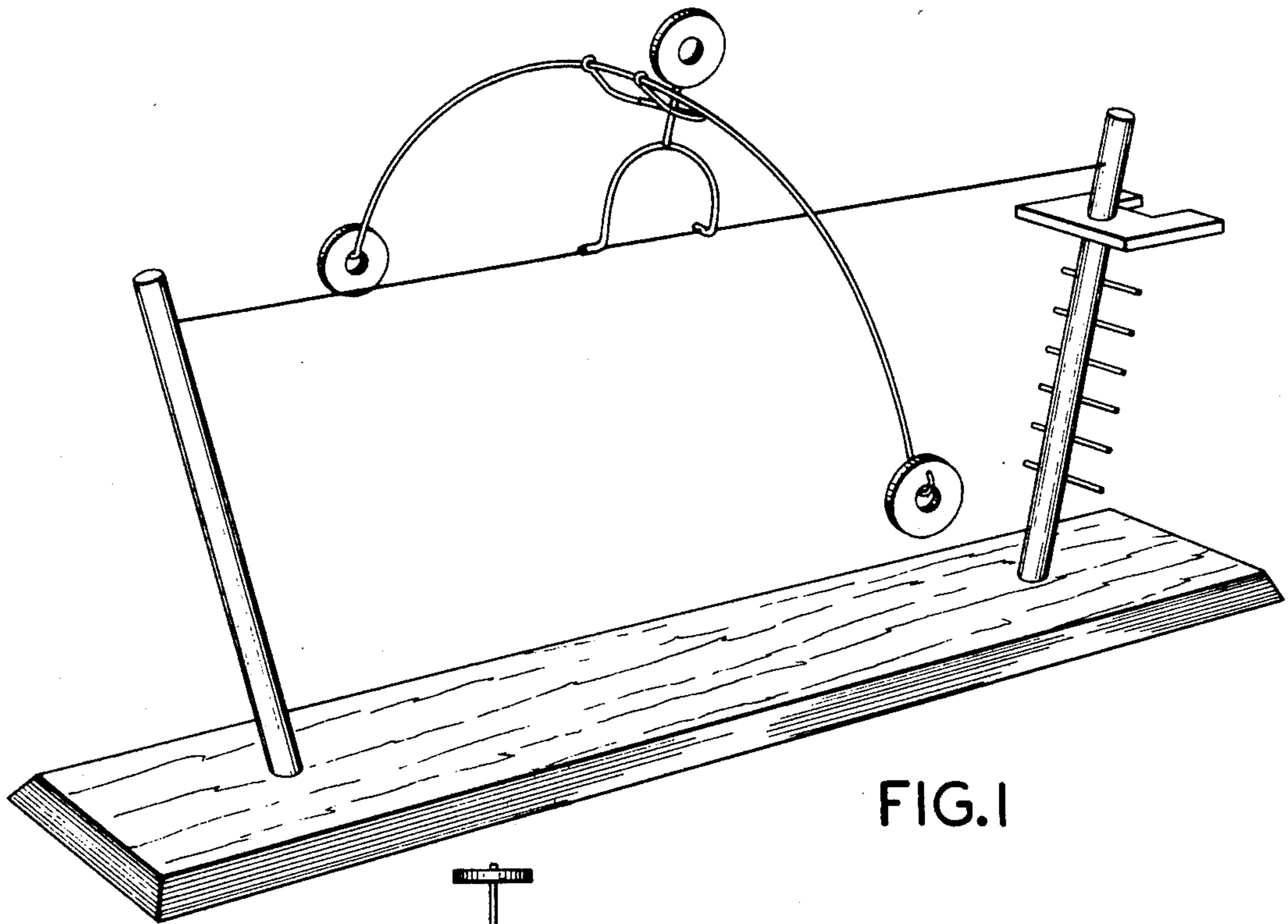


FIG. 1

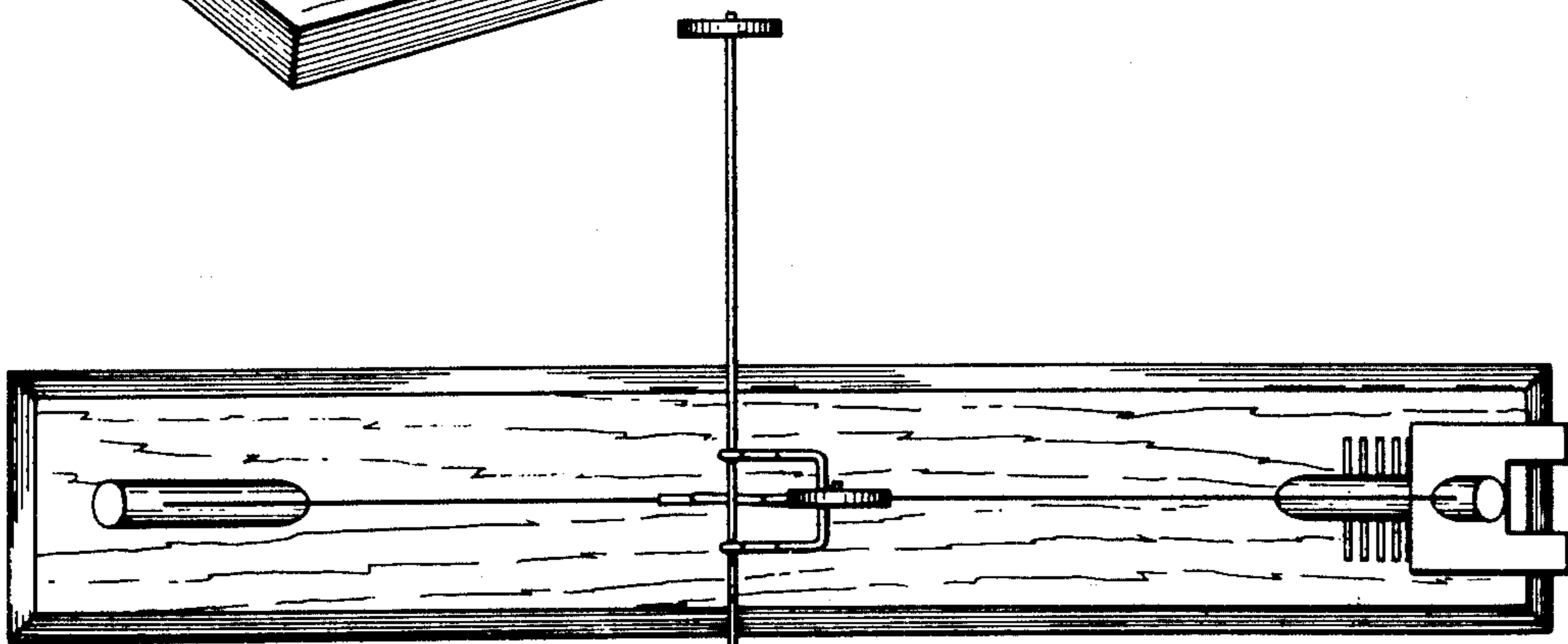


FIG. 2

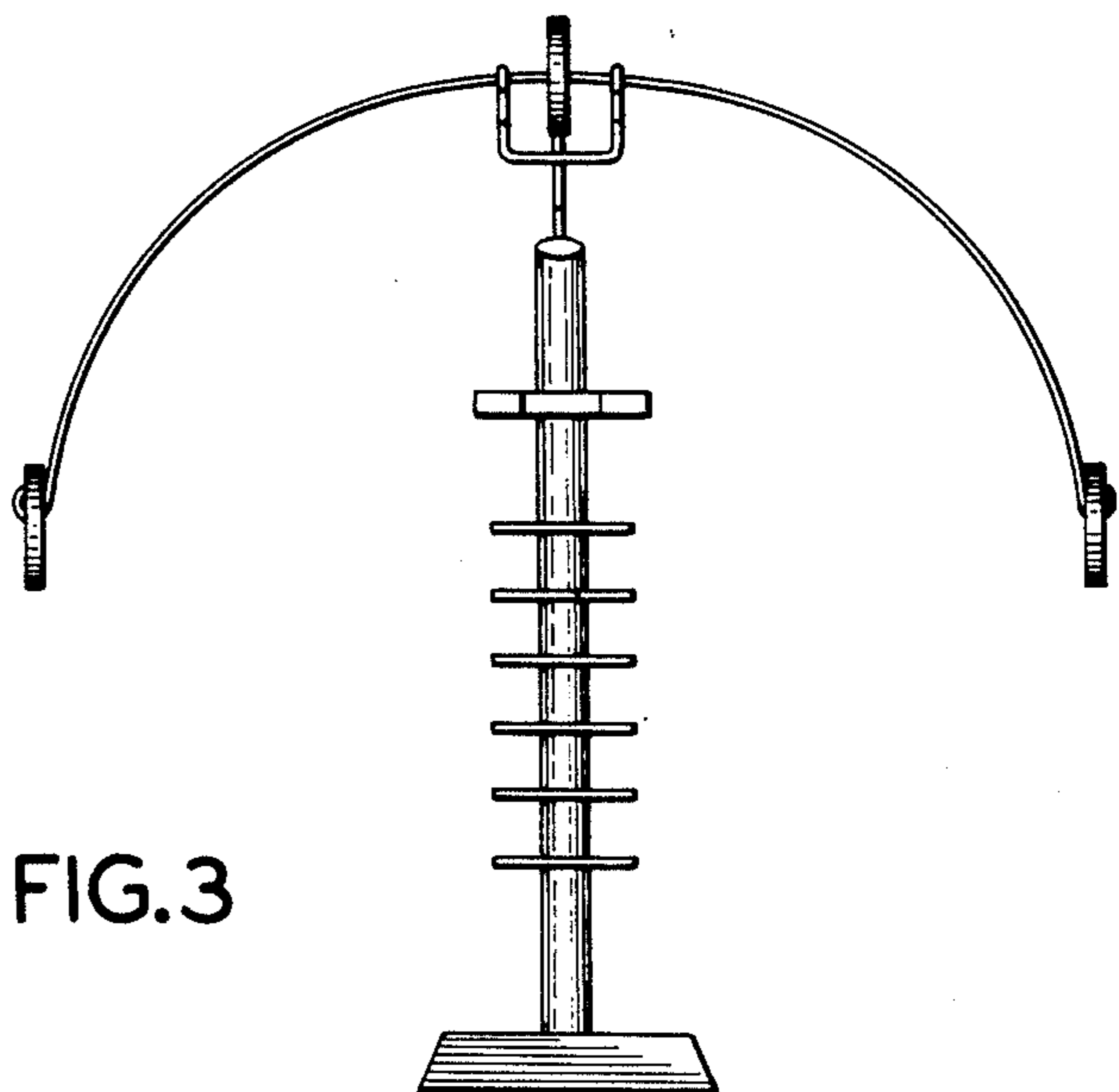


FIG. 3