

[54] MAZE GAME PUZZLE

[76] Inventor: Harry Zelenko, 240 E. 61st St., New York, N.Y. 10036

[\*\*] Term: 7 Years

[21] Appl. No.: 754,248

[22] Filed: Dec. 27, 1976

[51] Int. Cl. .... D21-01

[52] U.S. Cl. .... D34/15 M

[58] Field of Search ..... D34/15 M, 5 SS, 5 KK; 273/113, 115, 116, 109, 110

[56] References Cited

U.S. PATENT DOCUMENTS

D. 228,005 7/1973 Stubbmann ..... D34/15 M  
3,724,847 4/1973 Compton ..... 273/145 C

OTHER PUBLICATIONS

Playthings, Apr., 1962, p. 6, left, "Try-it Maze".

Primary Examiner—Melvin B. Feifer

[57] CLAIM

The ornamental design for the maze game puzzle, or similar article, substantially as shown.

DESCRIPTION

FIG. 1 is a front view of a maze game puzzle showing my new design;

FIG. 2 is a side view of my design from the left of FIG. 1;

FIG. 3 is a side view of my design from the bottom of FIG. 1;

FIG. 4 is a cross sectional view taken along lines 4-4 of FIG. 1;

FIG. 5 is a cross sectional view taken along lines 5-5 of FIG. 4;

FIG. 6 is a side view of my design from the right of FIG. 1;

FIG. 7 is a side view of my design from the top of FIG. 1;

FIG. 8 is a back view; and

FIG. 9 is a perspective view.

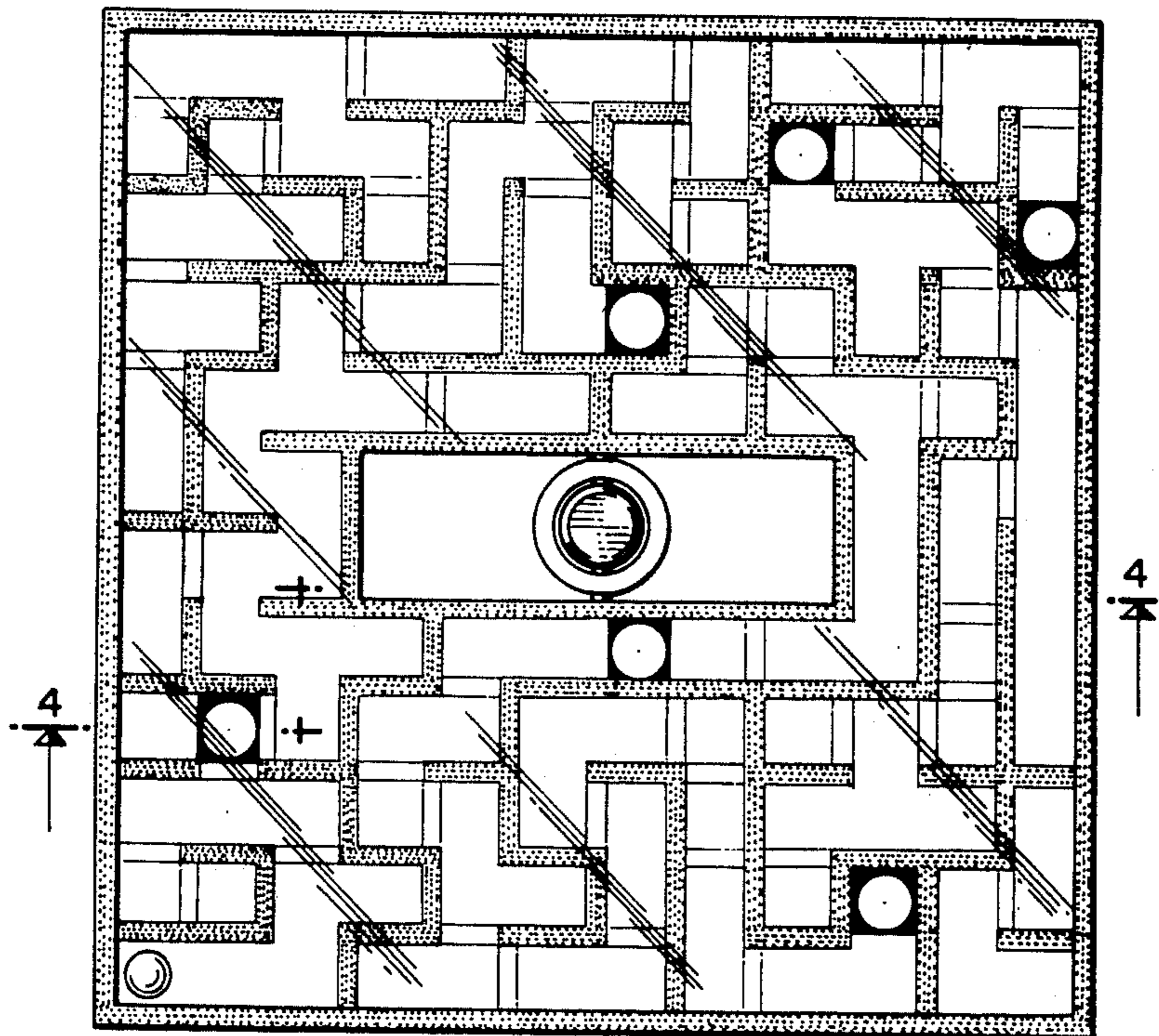


FIG.1

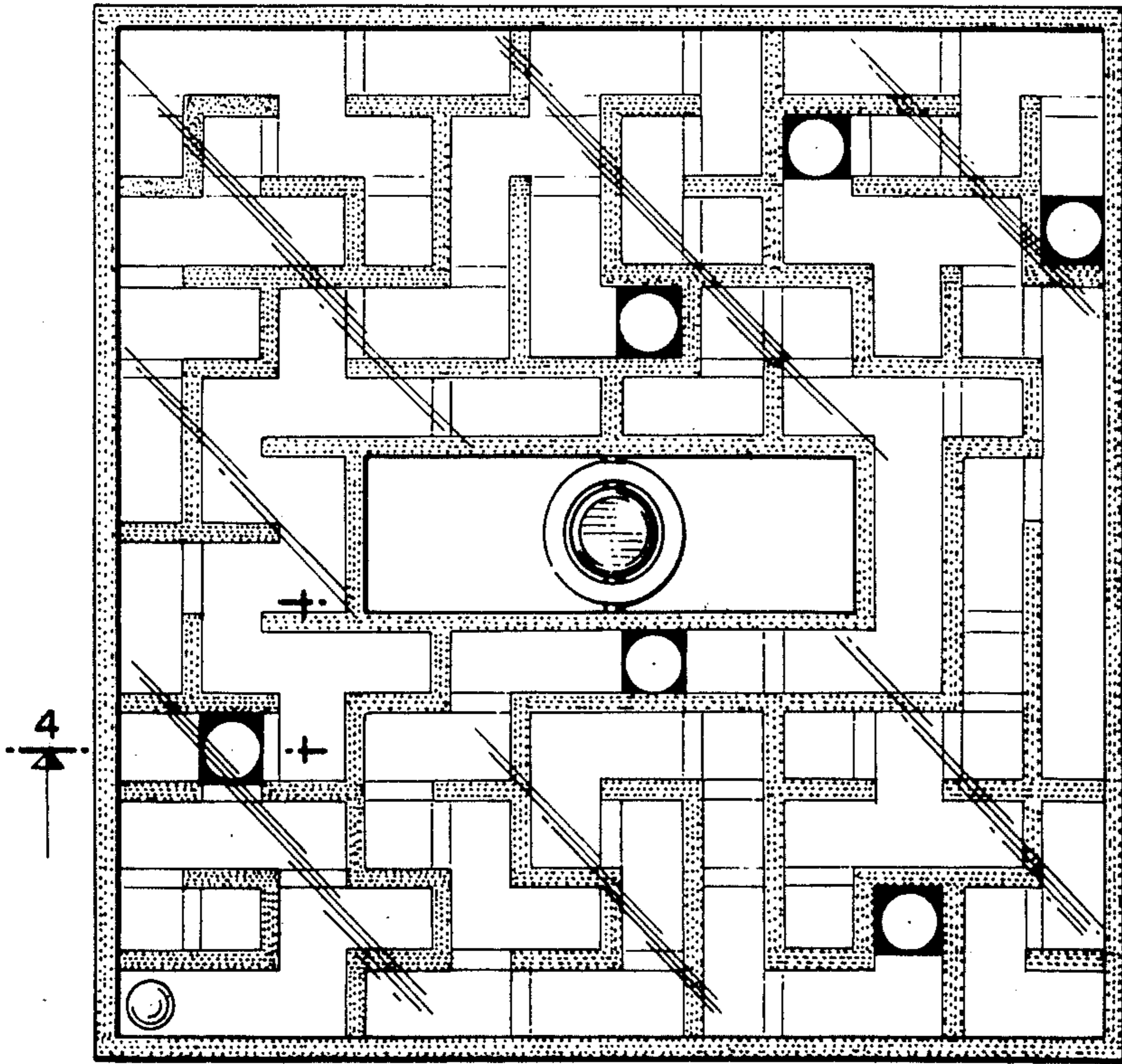


FIG.2

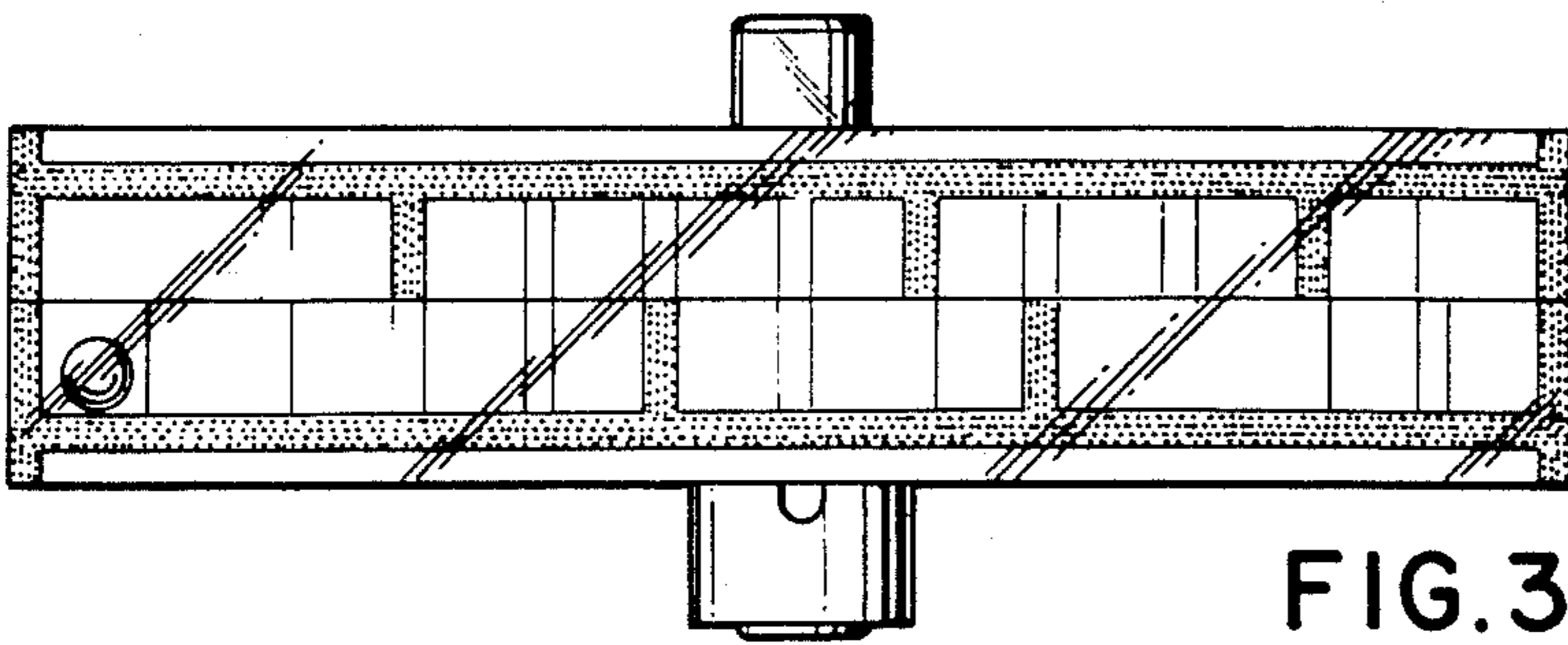
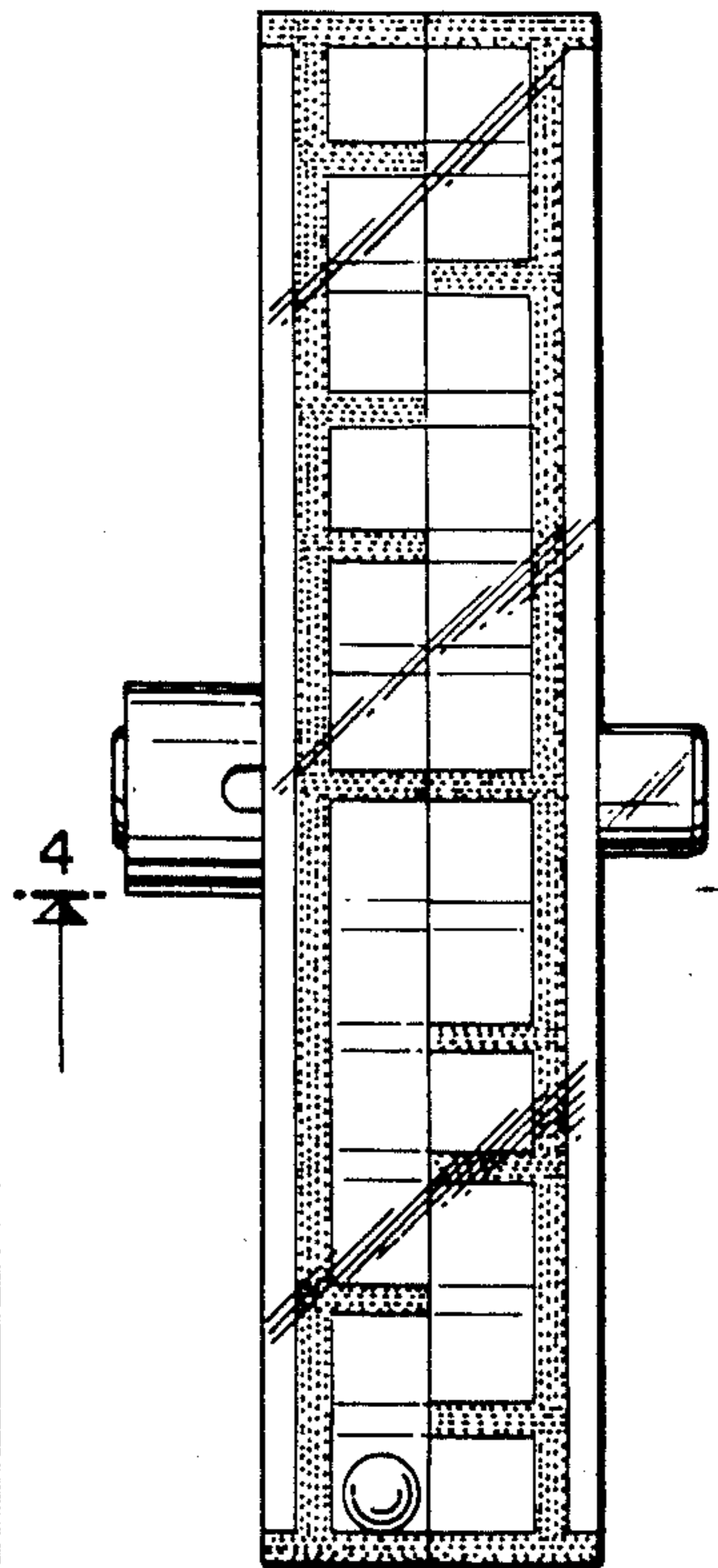


FIG.3

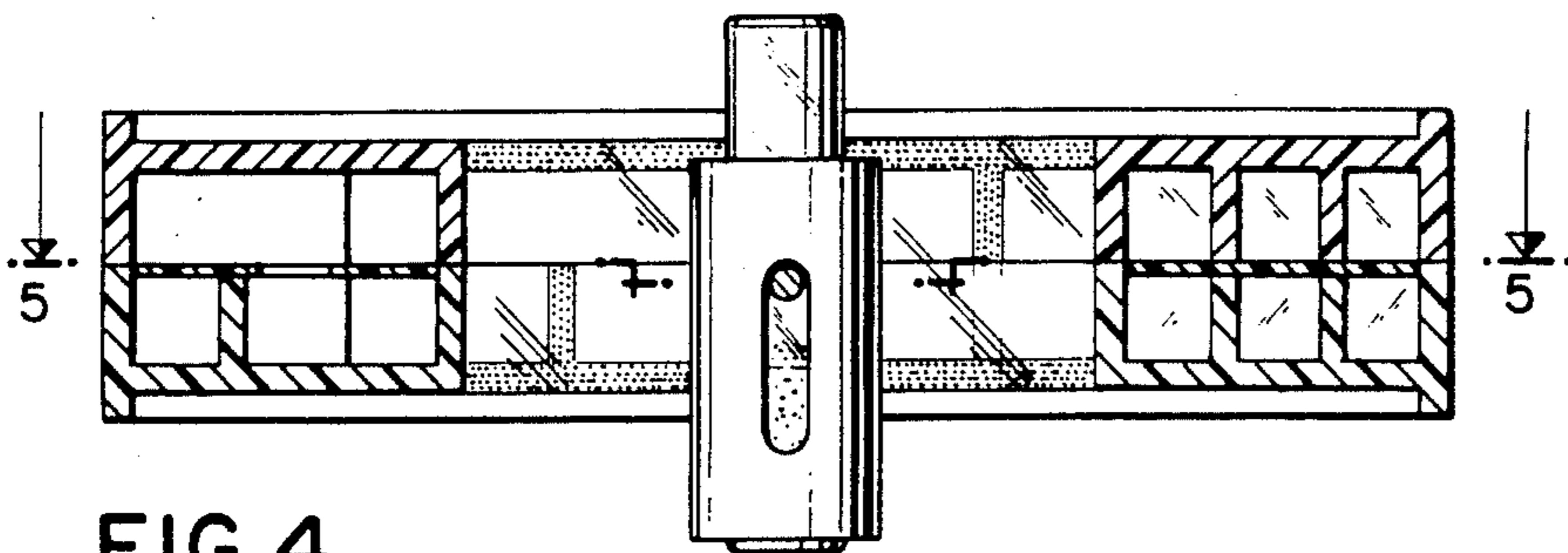


FIG.4

FIG.5

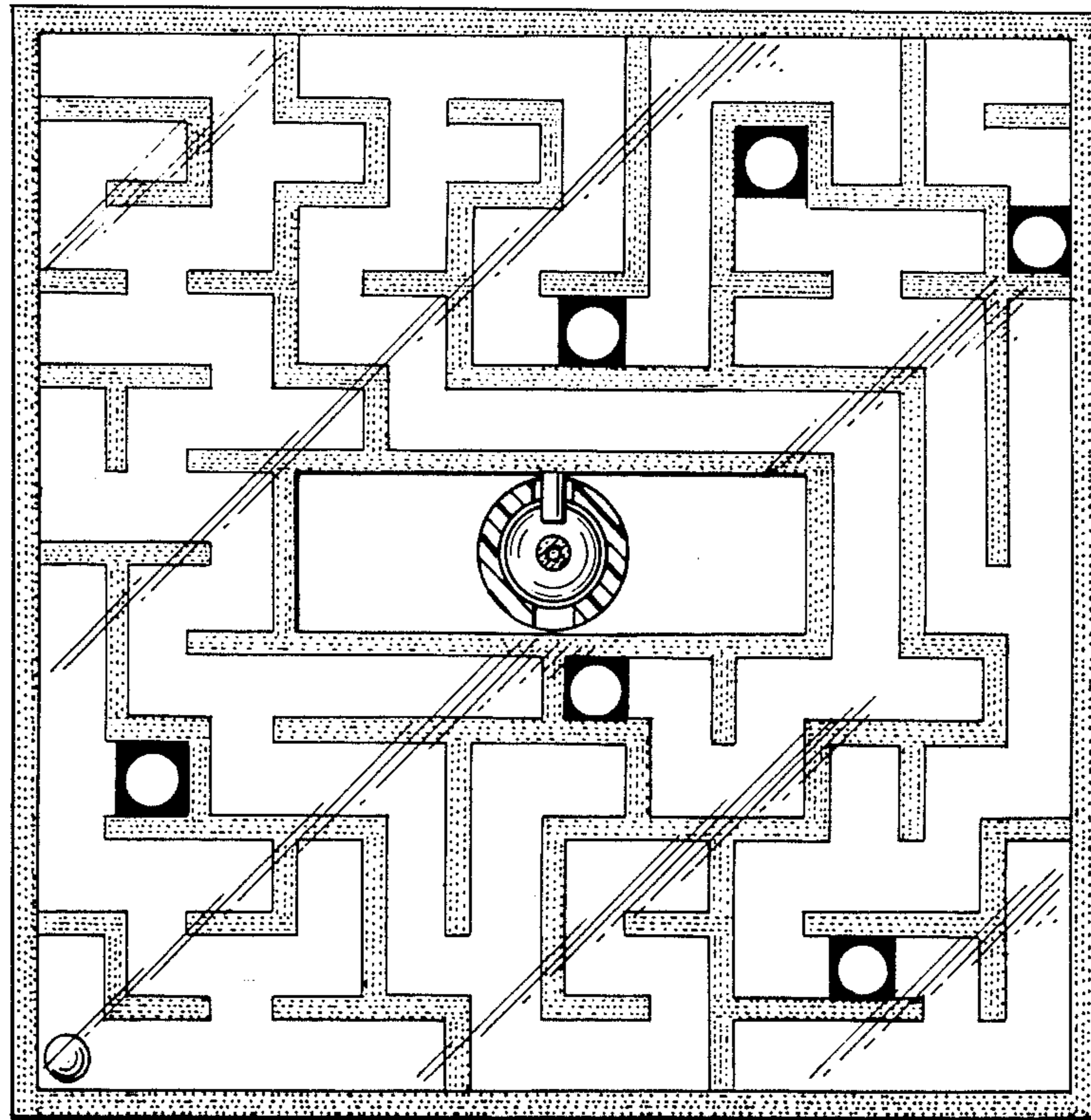


FIG.6

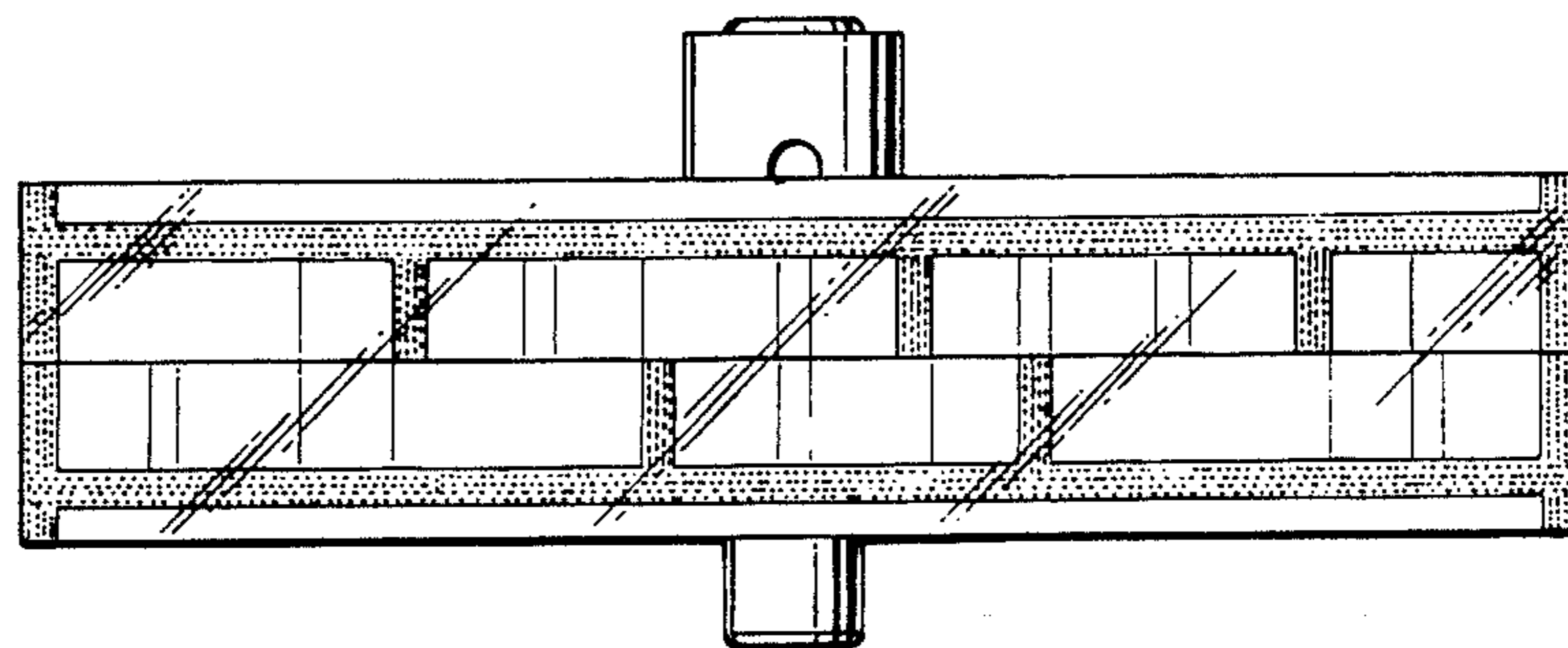
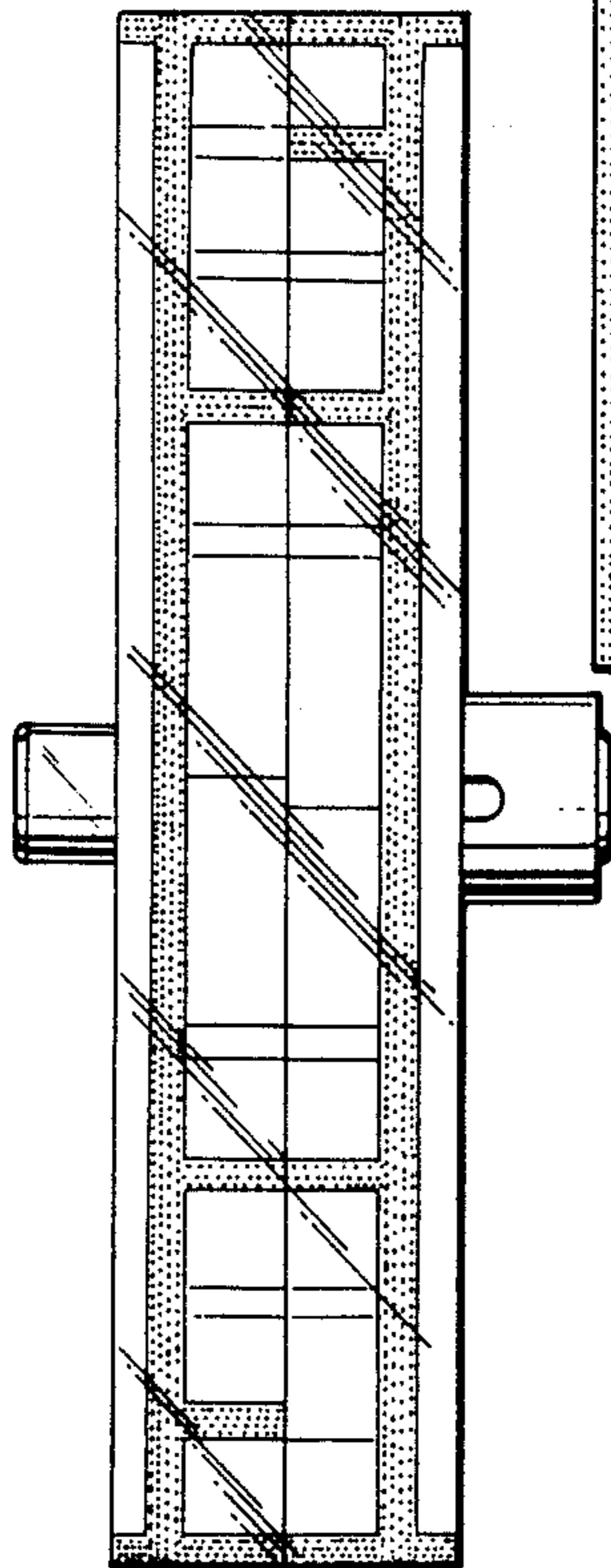


FIG.7

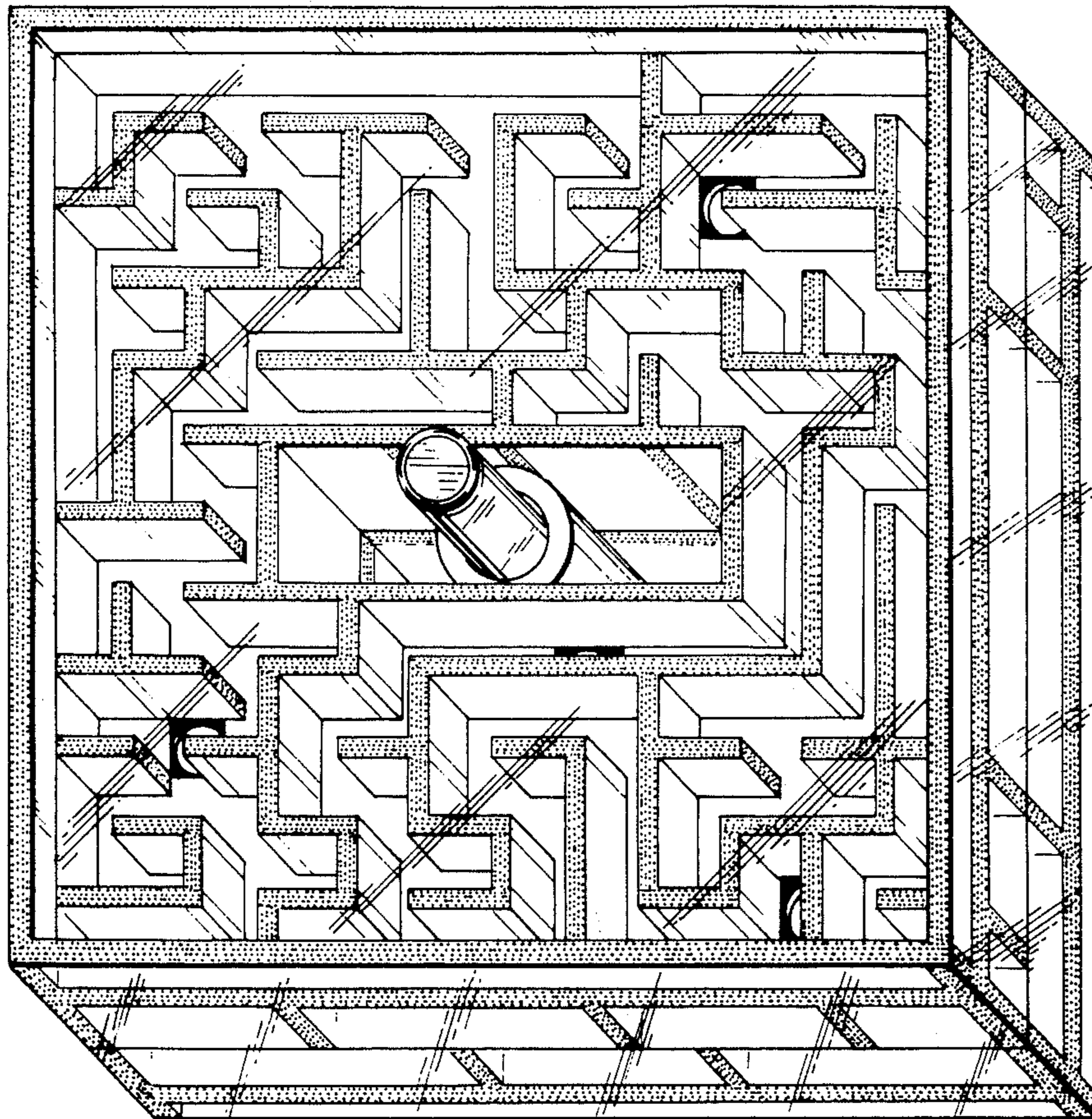


FIG. 9

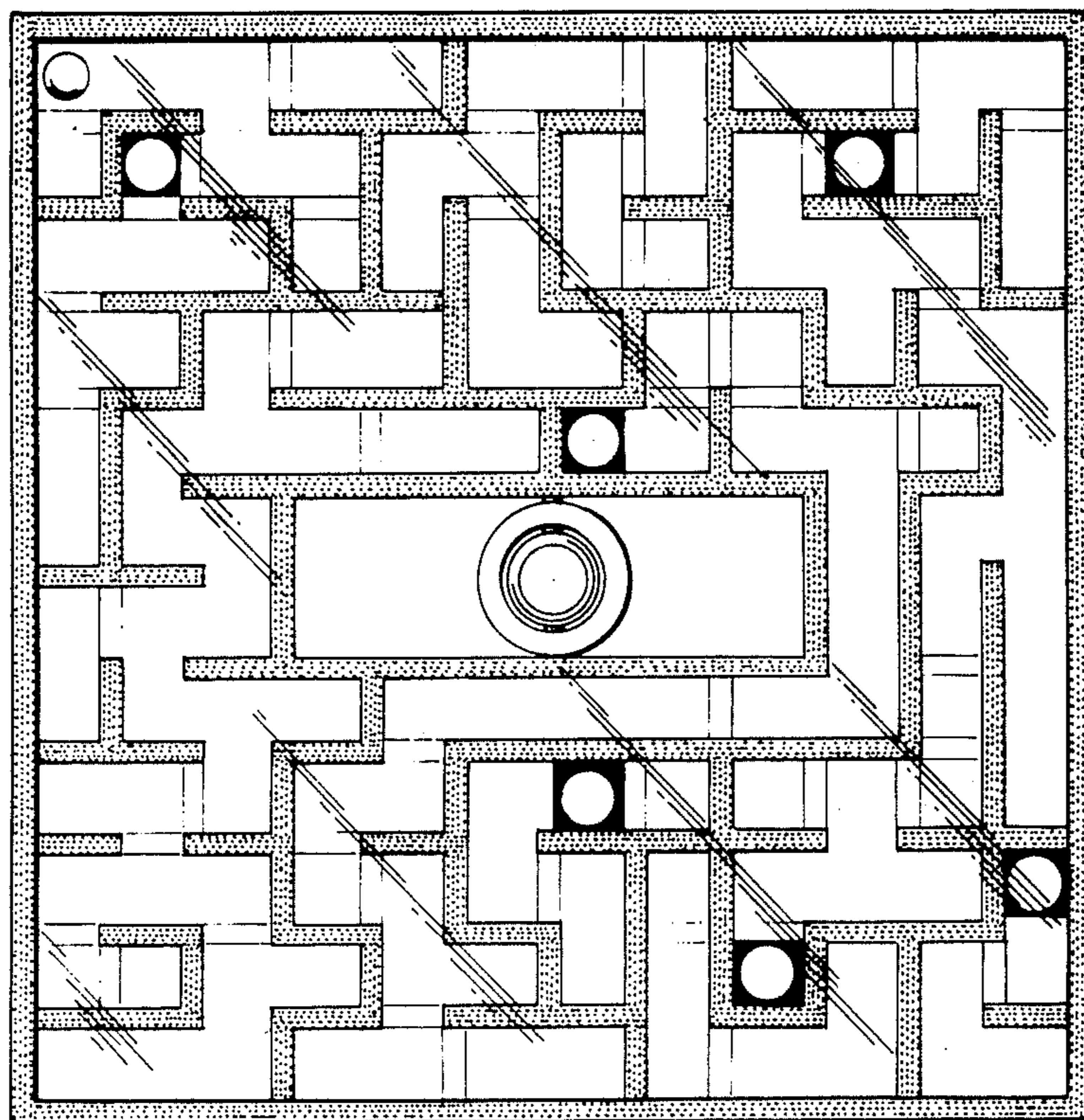


FIG. 8