

[54] GOAL POST STRUCTURE

[76] Inventor: John H. Norton, N. Cedar Rd., Fairfield, Conn. 06430

[**] Term: 14 Years

[21] Appl. No.: 771,653

[22] Filed: Feb. 24, 1977

[51] Int. Cl. D21-02

[52] U.S. Cl. D34/5 VV; D25/66

[58] Field of Search D34/5 VV, 5 H, 5 L; 273/55 D, 55 R; D25/66; 182/178

[56] References Cited

U.S. PATENT DOCUMENTS

2,074,125 3/1937 Lefft et al. 273/55 D

FOREIGN PATENT DOCUMENTS

1,031,787 6/1966 United Kingdom 182/178

OTHER PUBLICATIONS

Jamison Playground Equipment Cat., front page of 343-117, Comb. Football Soccer Goal.

Primary Examiner—Melvin B. Feifer
Attorney, Agent, or Firm—Ronald J. St. Onge

[57] CLAIM

The ornamental design for a goal post structure, as shown and described.

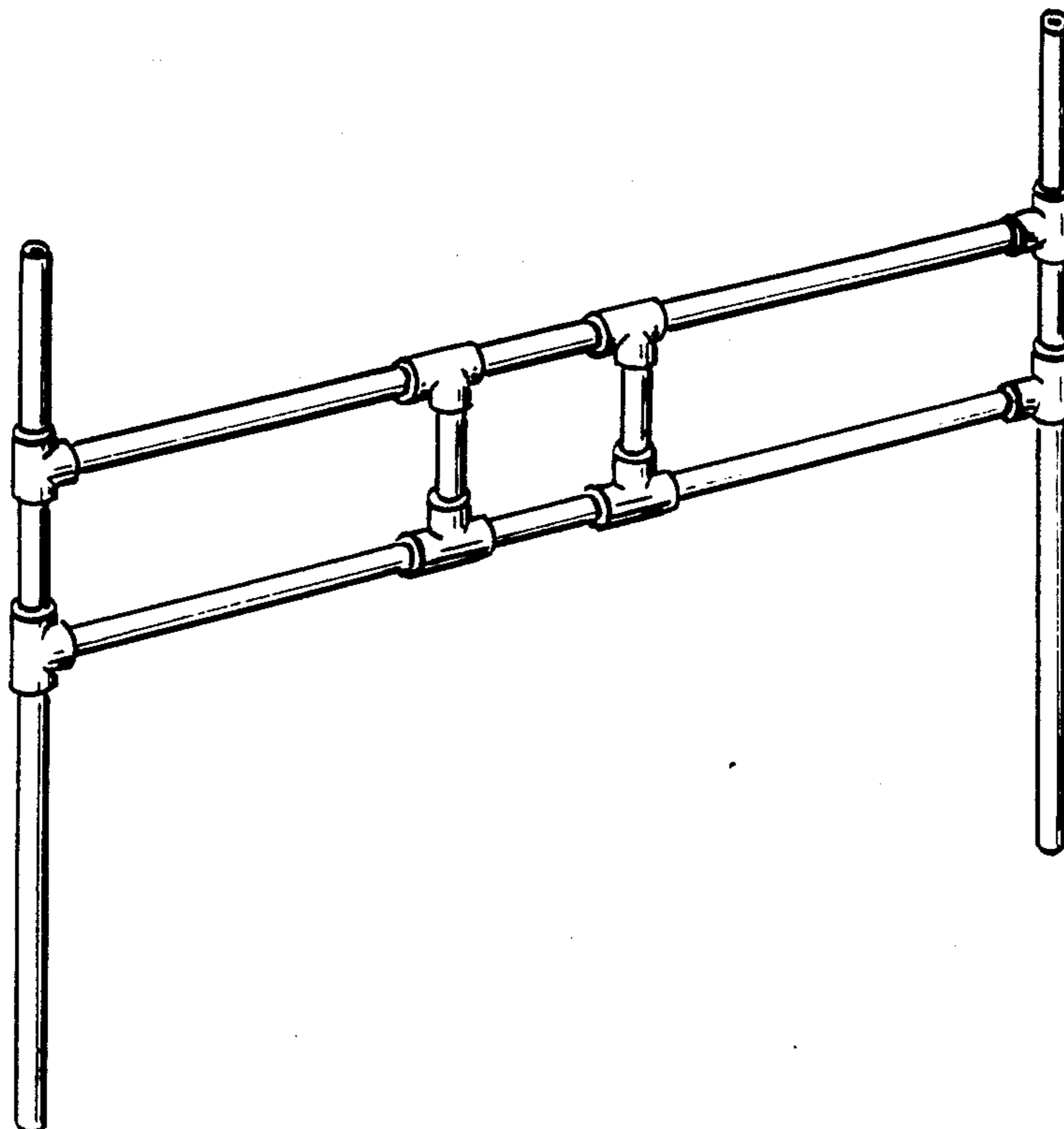
DESCRIPTION

FIG. 1 is a right side and front perspective view of the goal post structure showing my new design.

FIG. 2 is a top plan view of the goal post structure design. The bottom plan view is identical thereto.

FIG. 3 is a front elevational view of the goal post structure design. The rear elevational view is identical thereto.

FIG. 4 is a right side elevational view of the goal post structure. The left side elevational view is identical thereto.



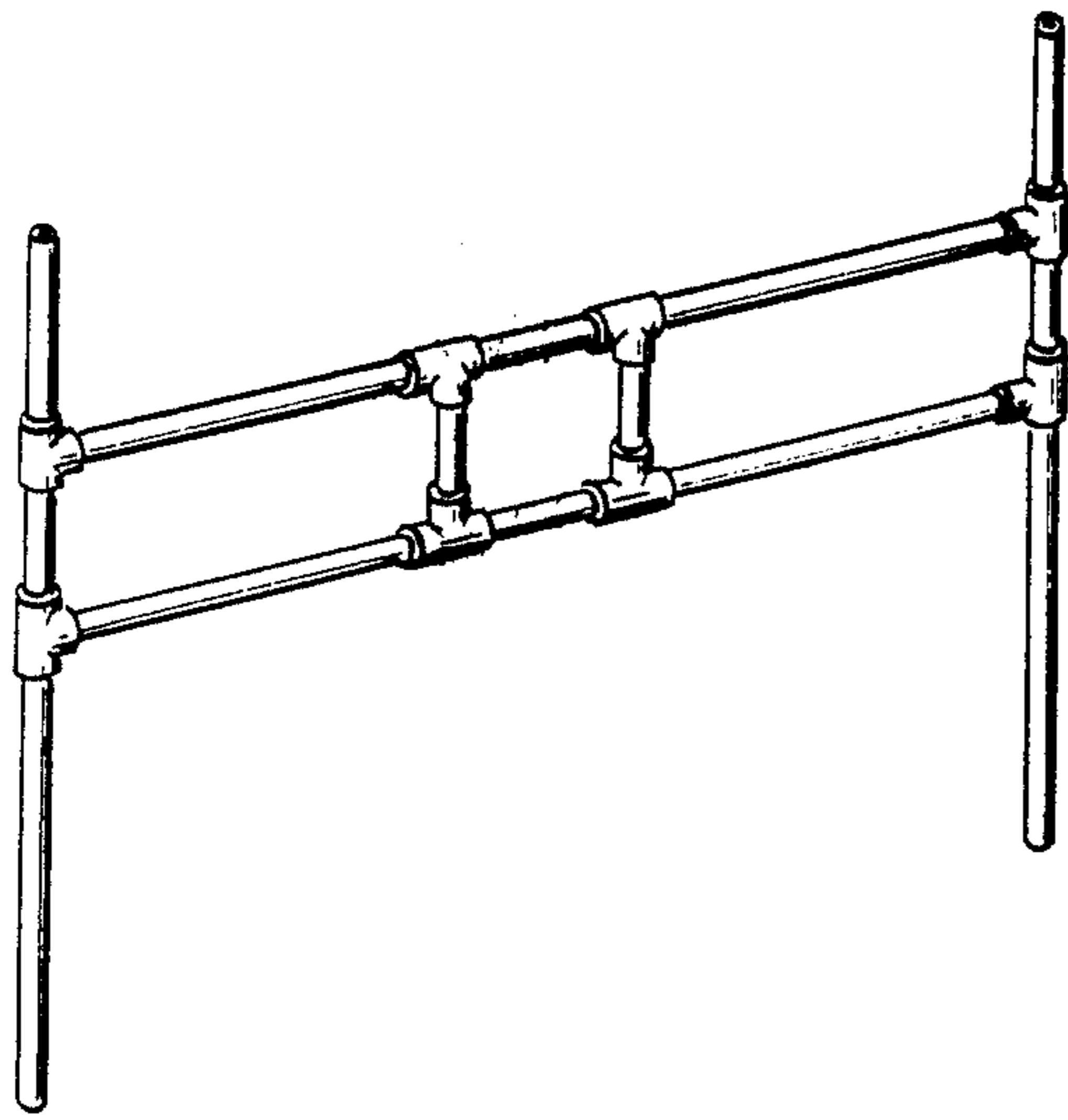


Fig. 1.



Fig. 2.

Fig. 3.

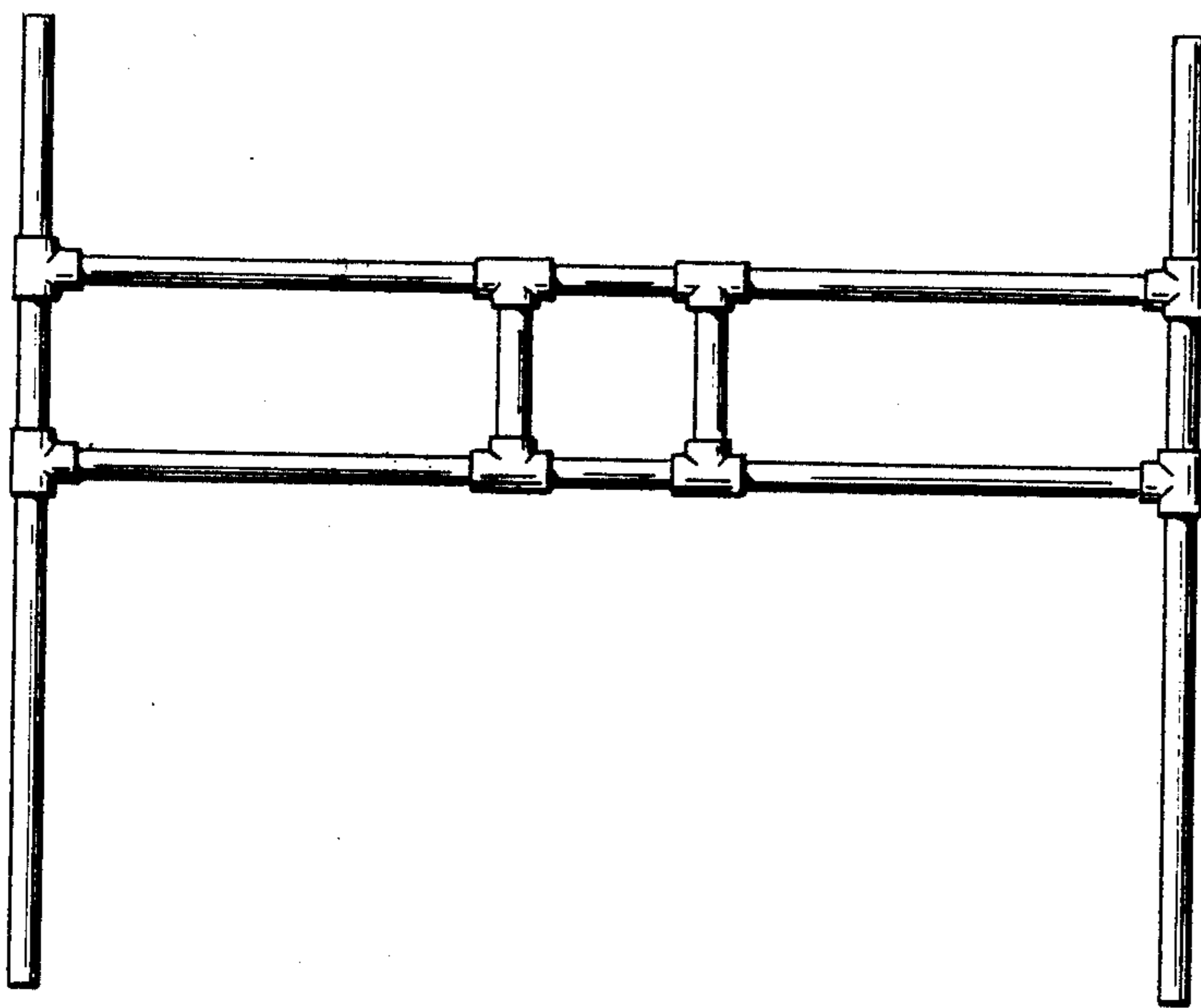


Fig. 4.

