

[54] SMOKING PIPE HOLDER

[76] Inventor: William H. Niesse, 1308 N. Capitol Ave., Indianapolis, Ind. 46202

[**] Term: 14 Years

[21] Appl. No.: 810,011

[22] Filed: Jun. 27, 1977

[51] Int. Cl. D27-02

[52] U.S. Cl. D27/06

[58] Field of Search D27/8, 14, 15, 21, 25, D27/26, 27, 28, 29, 6; 131/240 R

[56] References Cited

U.S. PATENT DOCUMENTS

D. 172,873 8/1954 Gayle et al. 131/240 R X
2,335,973 12/1943 Segal 131/240 R

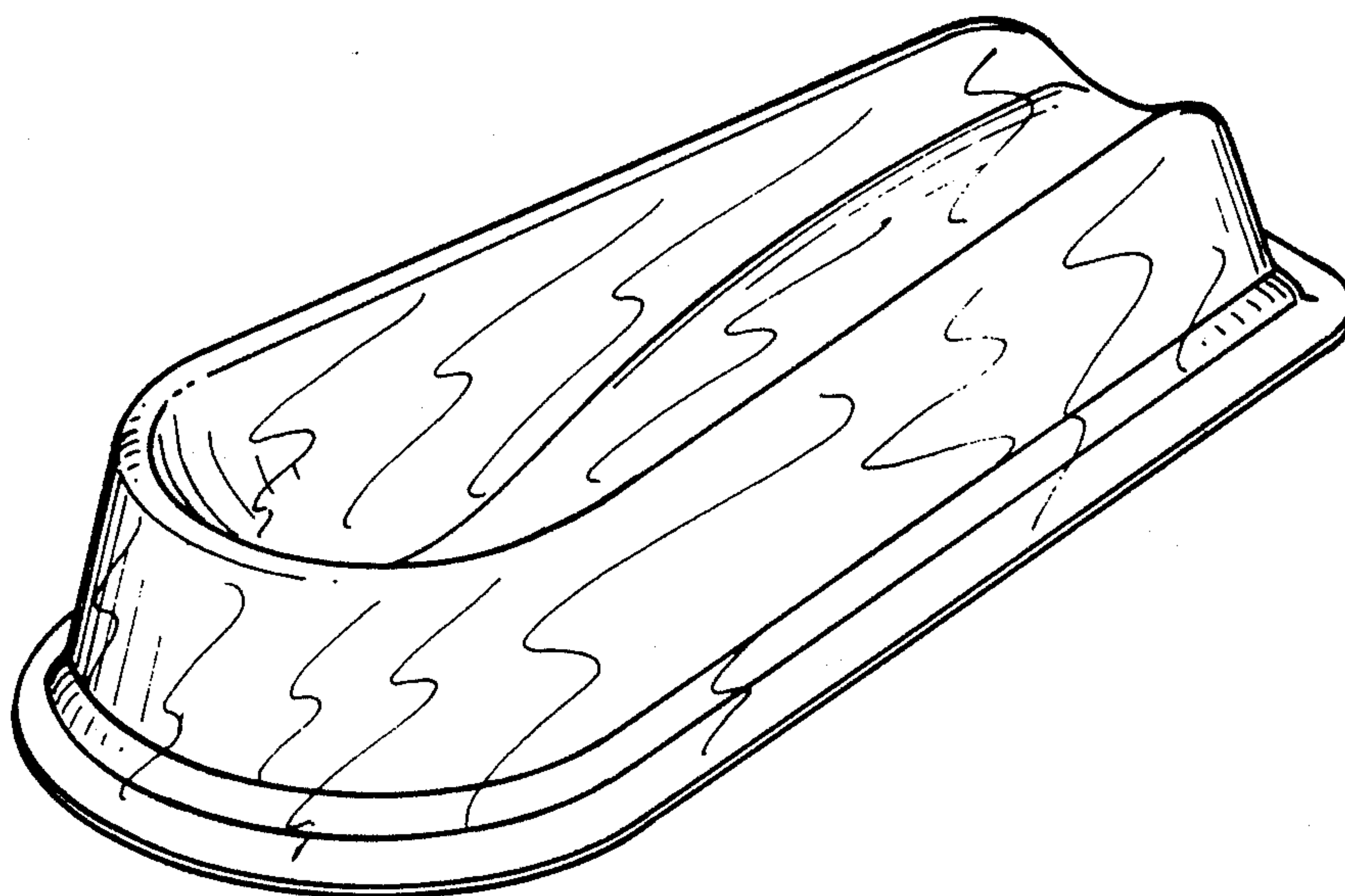
Primary Examiner—Wallace R. Burke
Assistant Examiner—Catherine Kemper
Attorney, Agent, or Firm—Harold R. Woodard

[57] CLAIM

The ornamental design for a smoking pipe holder, as shown and described.

DESCRIPTION

FIG. 1 is a side elevational view of a smoking pipe holder embodying my new design, the opposite side being a mirror image of that shown;
FIG. 2 is an end view thereof;
FIG. 3 is an end view thereof taken from the end opposite FIG. 2;
FIG. 4 is a top plan view thereof;
FIG. 5 is a bottom plan view thereof;
FIG. 6 is a side elevational view of a second embodiment thereof, the left end being identical to the left end of the first embodiment, as shown in FIG. 2;
FIG. 7 is an end view thereof taken from the right hand end of FIG. 6;
FIG. 8 is a top plan view thereof;
FIG. 9 is a bottom plan view thereof.
FIG. 10 is a top, perspective view of the smoking pipe holder shown in FIGS. 1-5.
FIG. 11 is a bottom, perspective view thereof.
FIG. 12 is a top, perspective view of the smoking pipe holder shown in FIGS. 6-9.
FIG. 13 is a bottom, perspective view thereof.



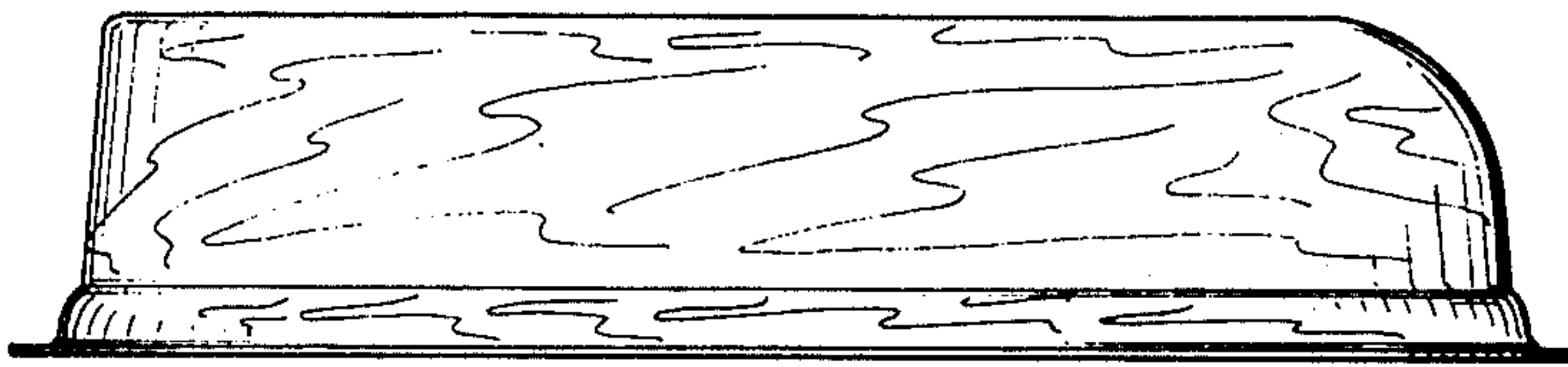


Fig. 1

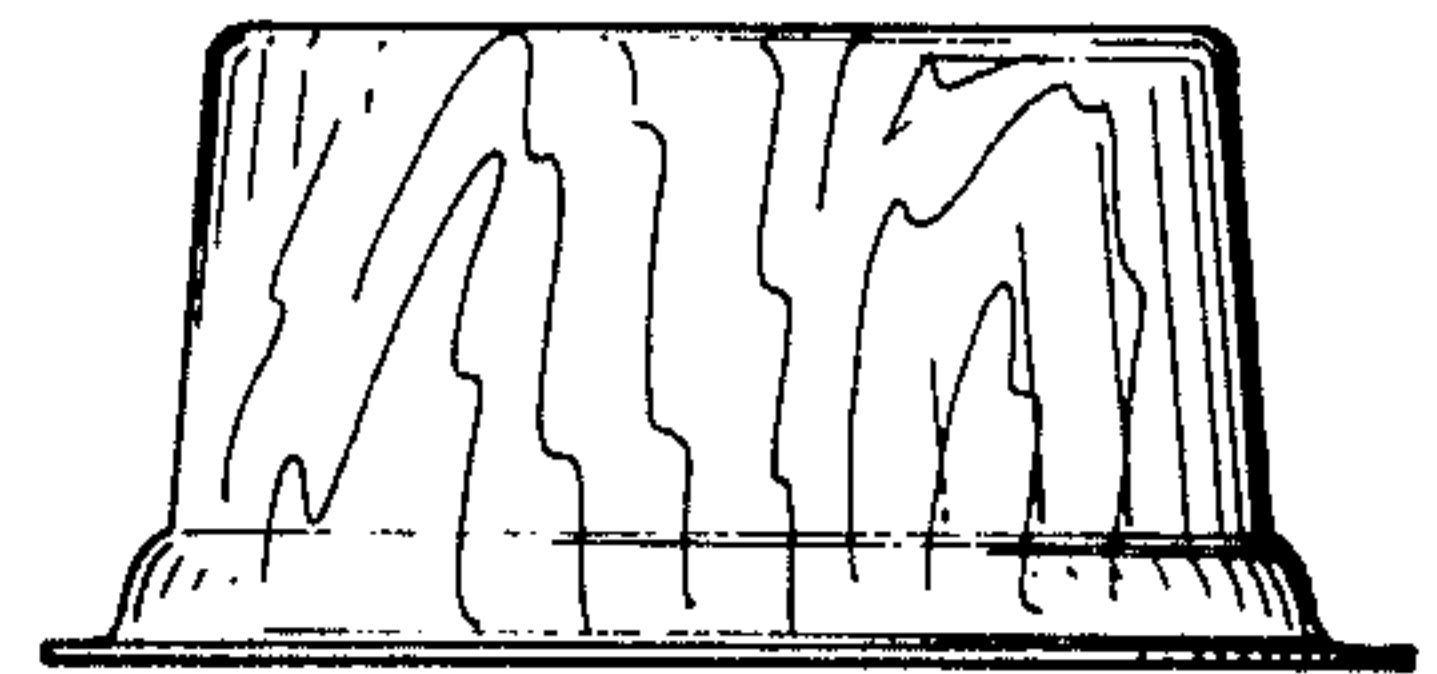


Fig. 2

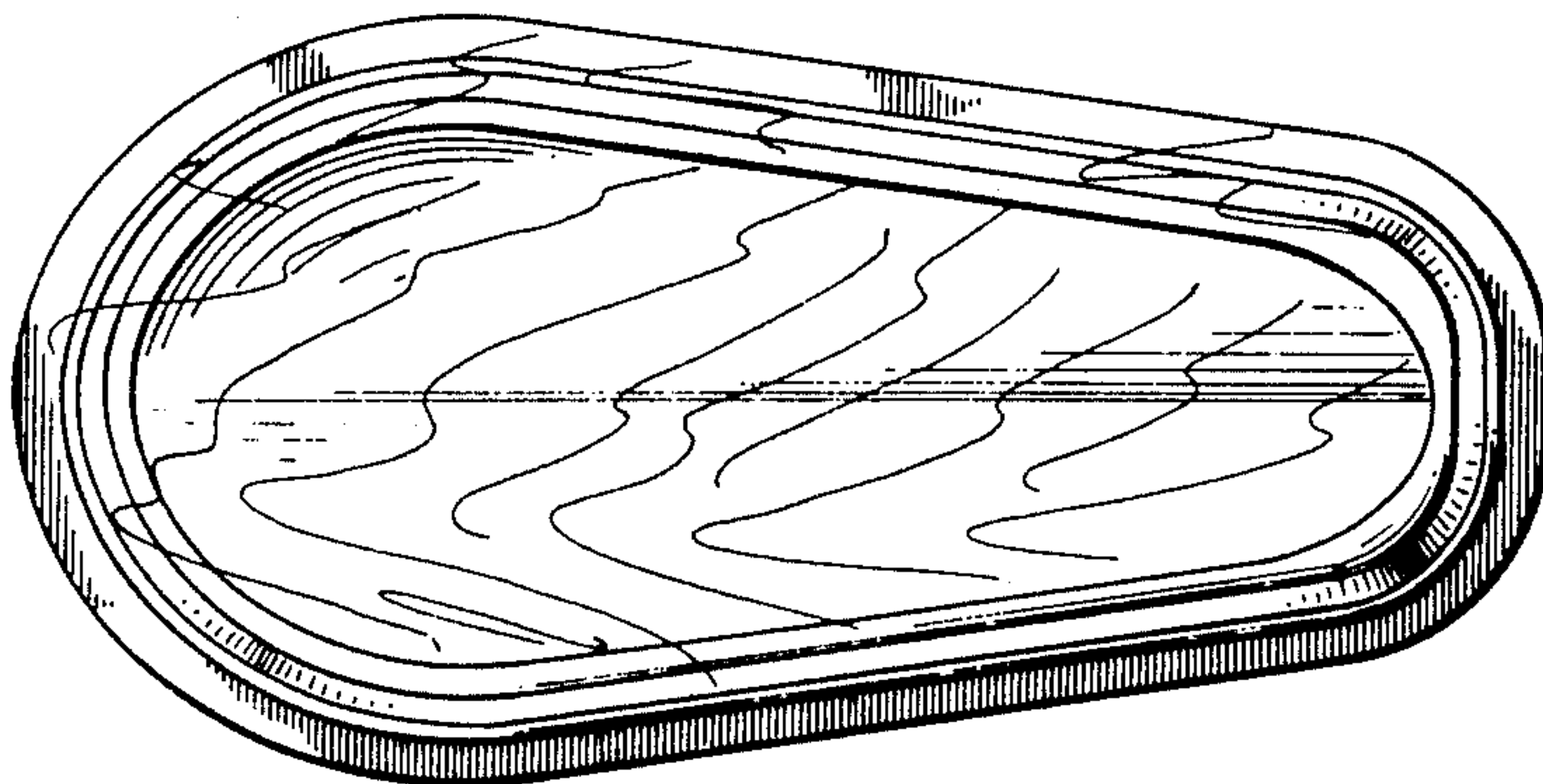


Fig. 4

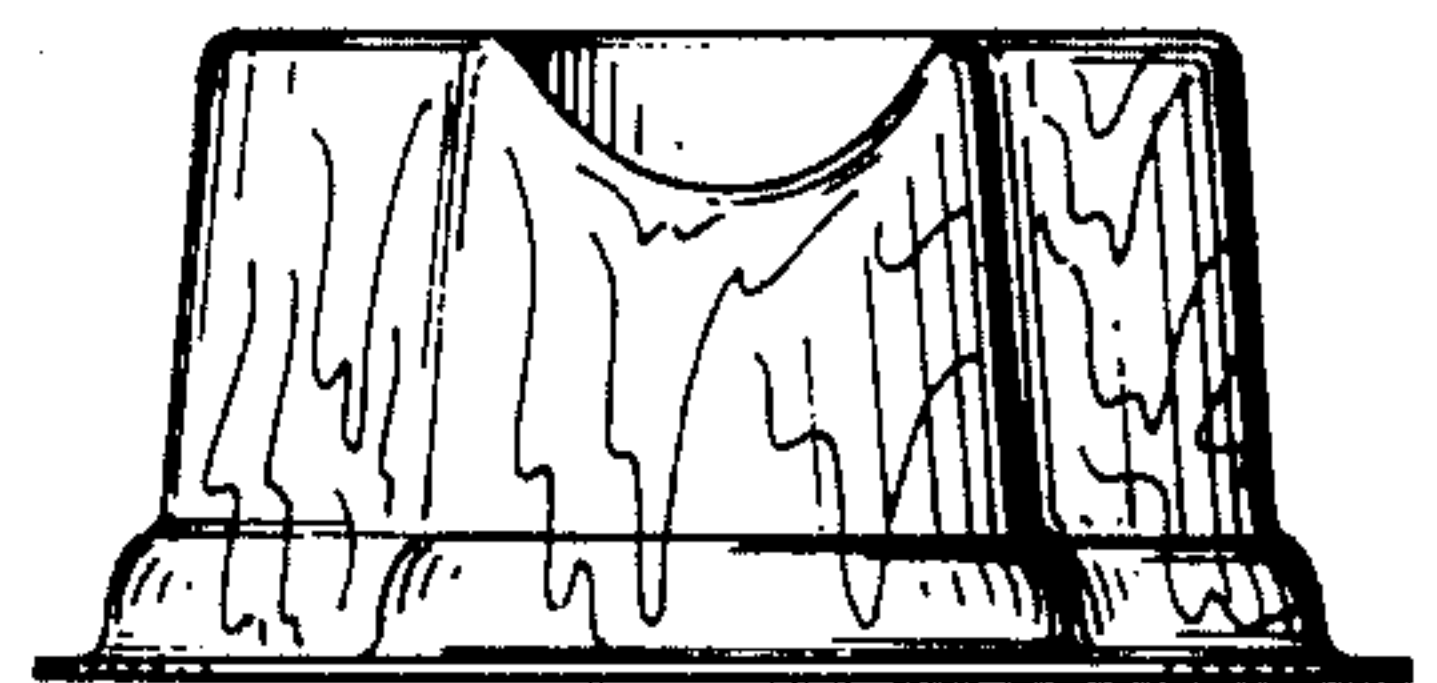


Fig. 3

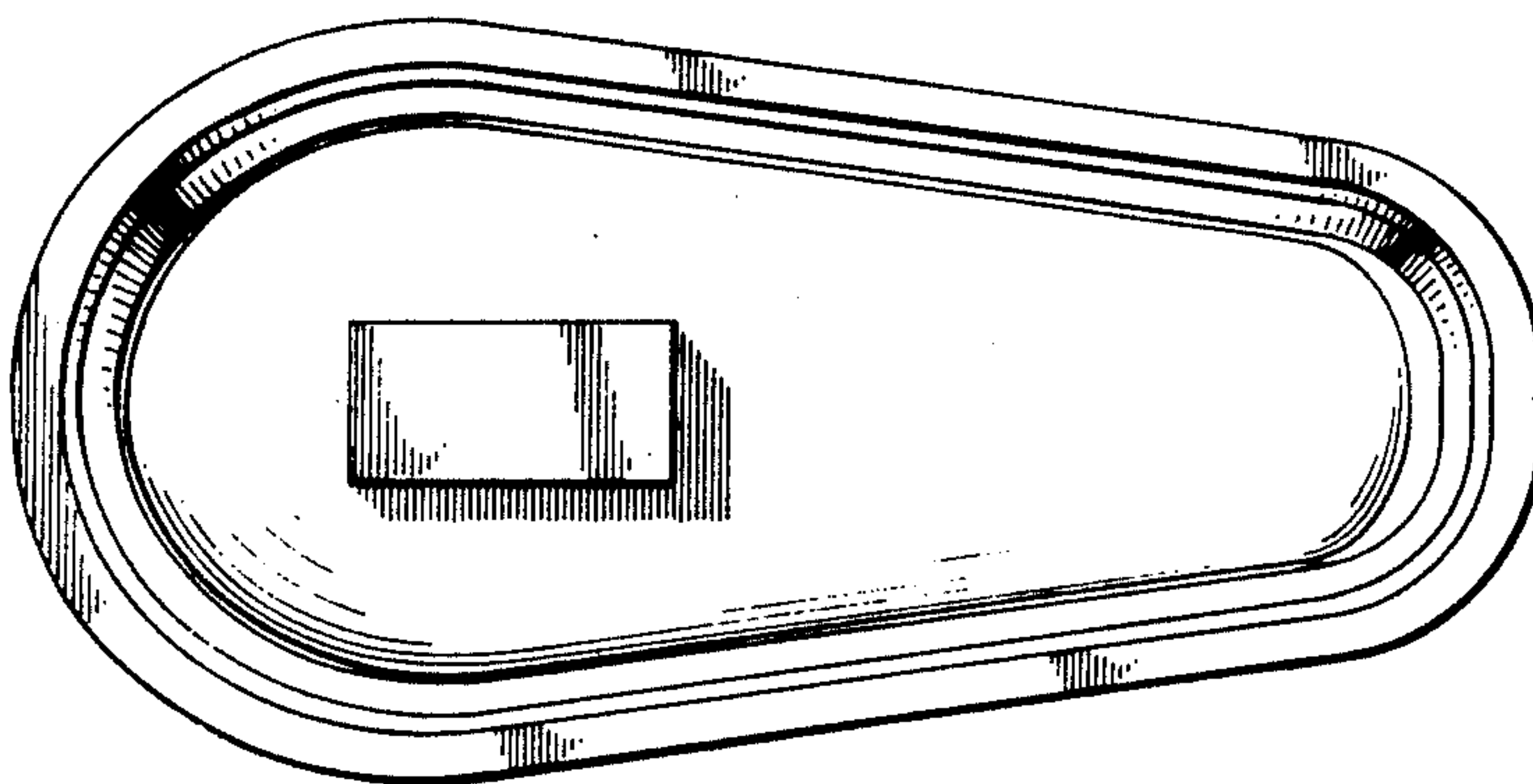


Fig. 5

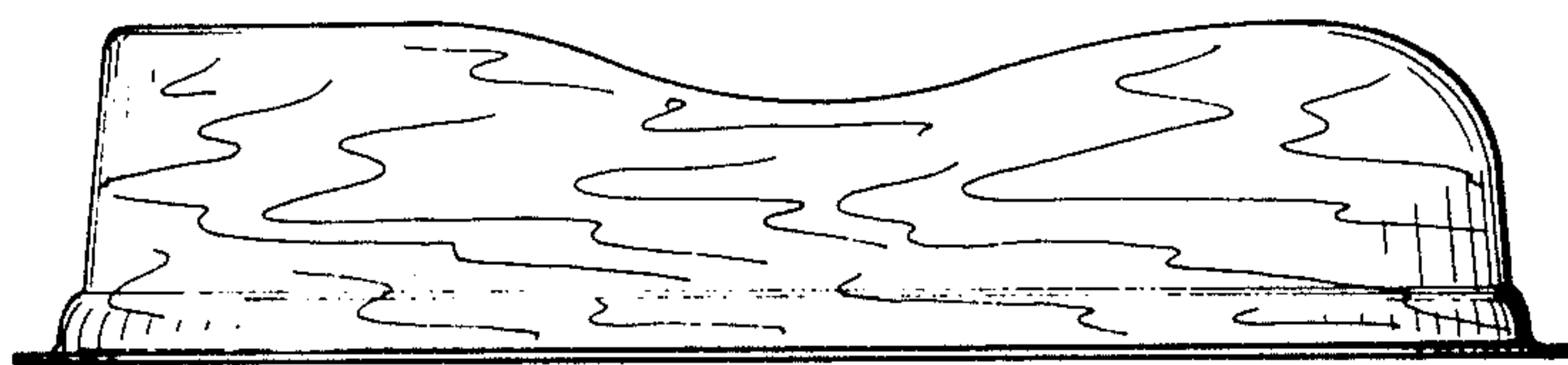


Fig. 6

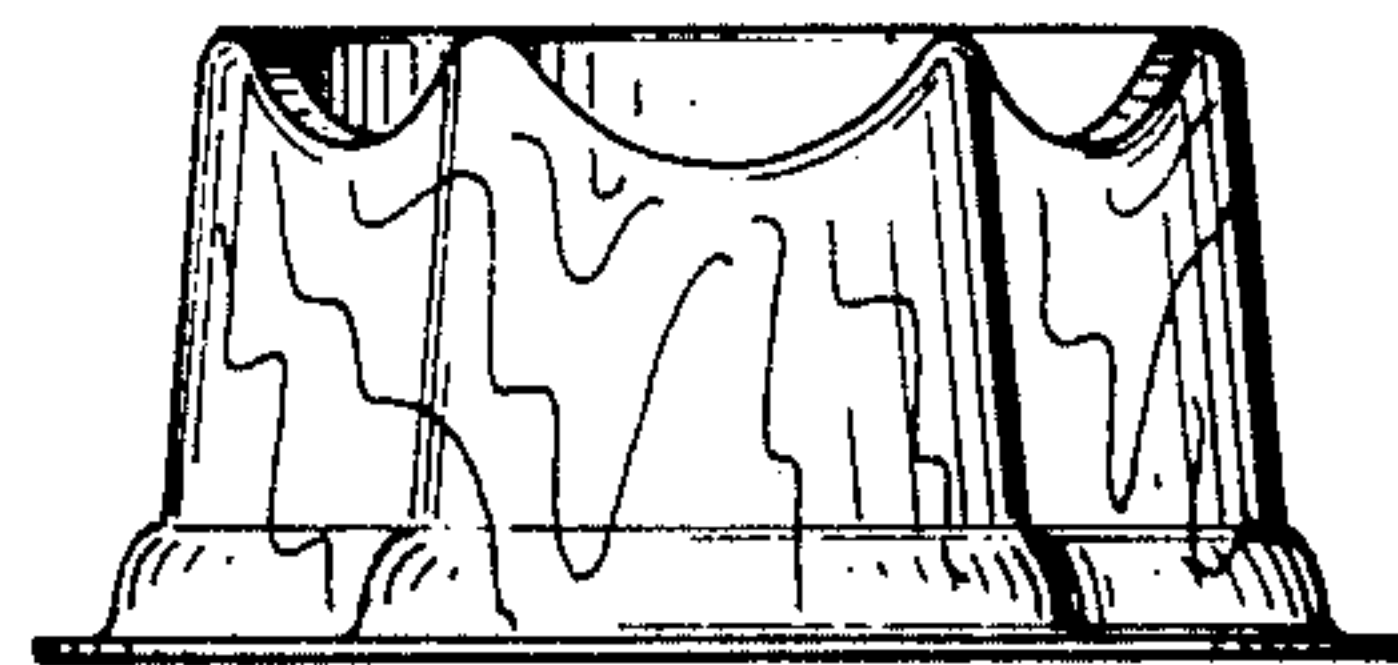


Fig. 7

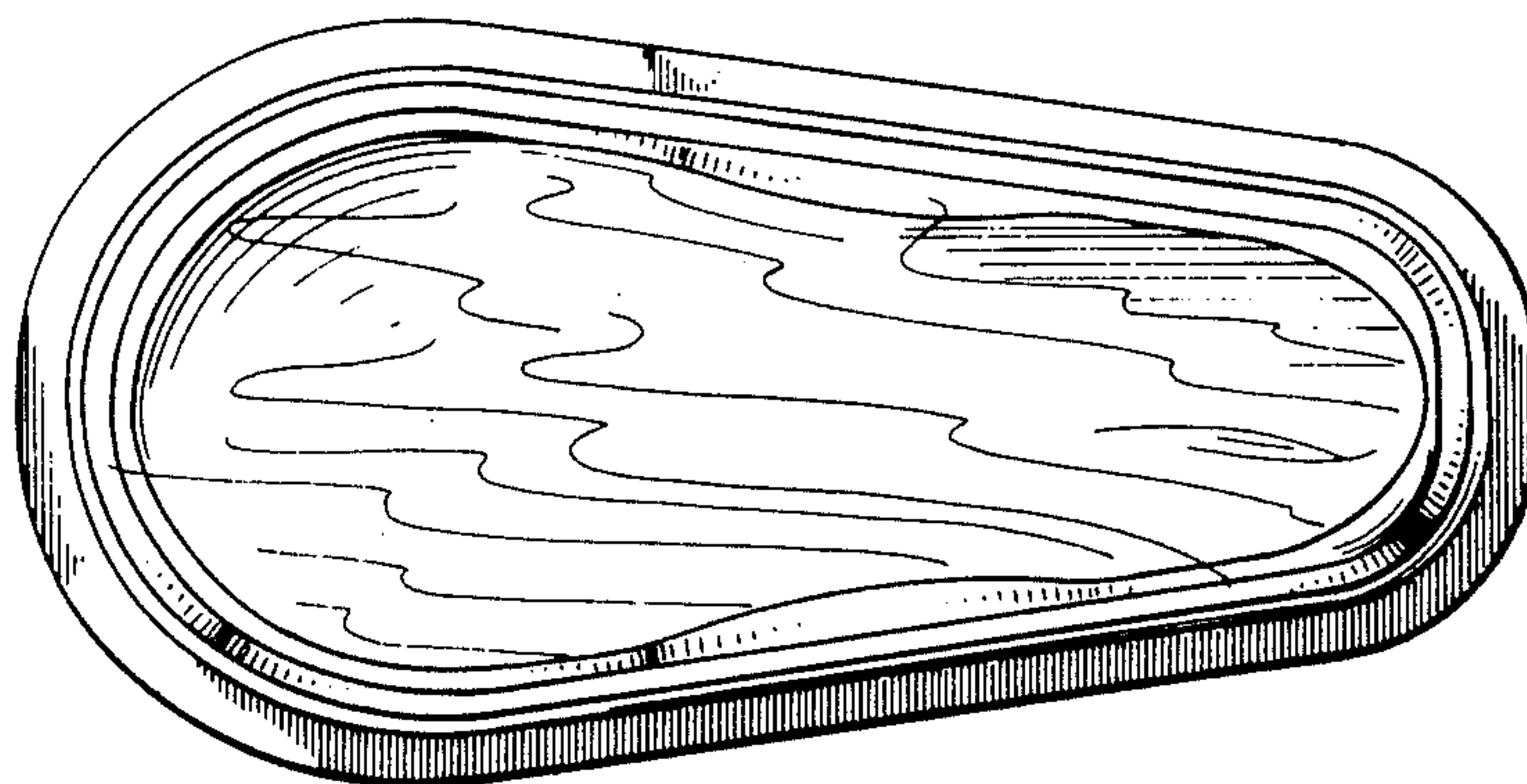


Fig. 8

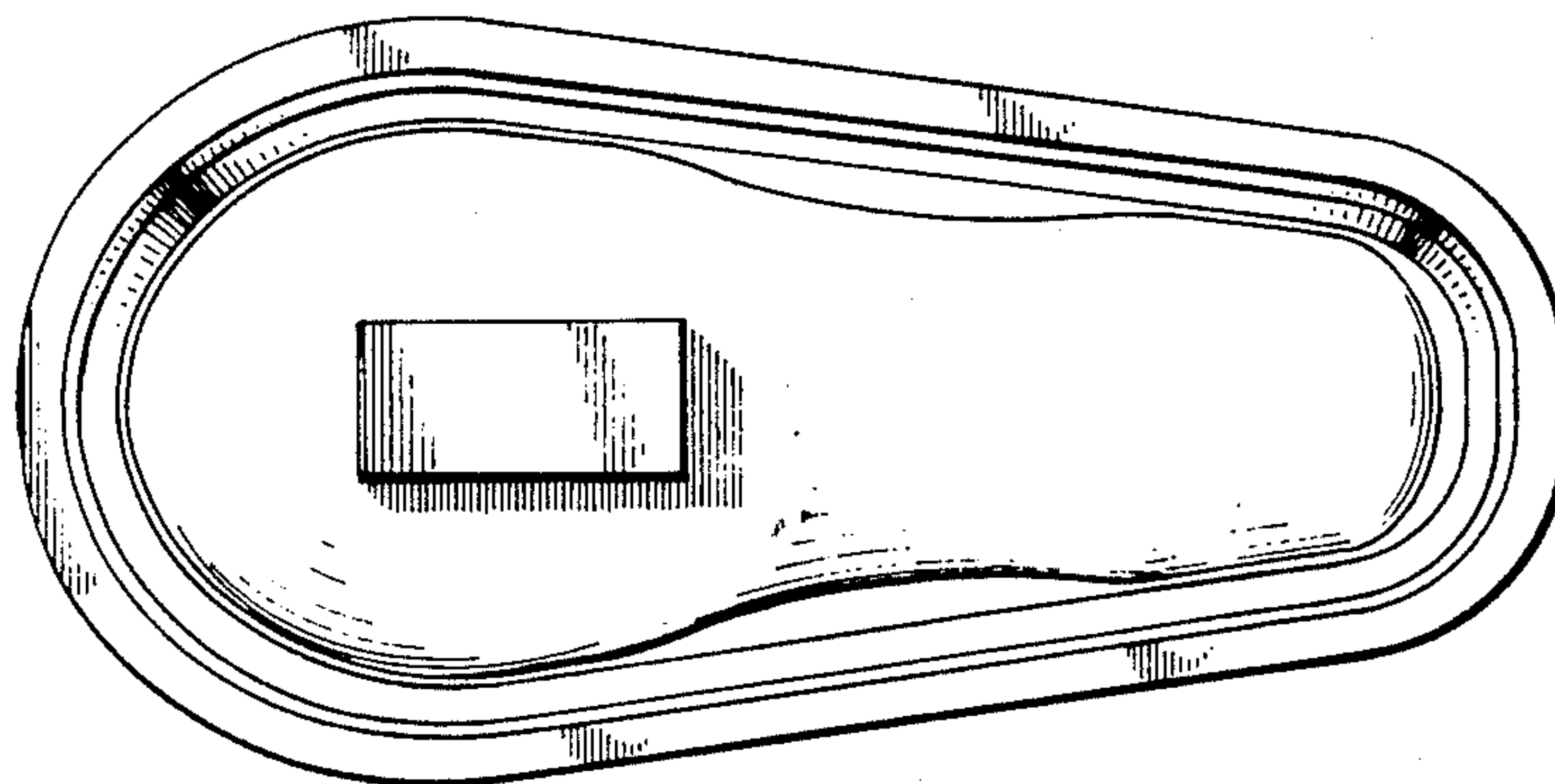


Fig. 9

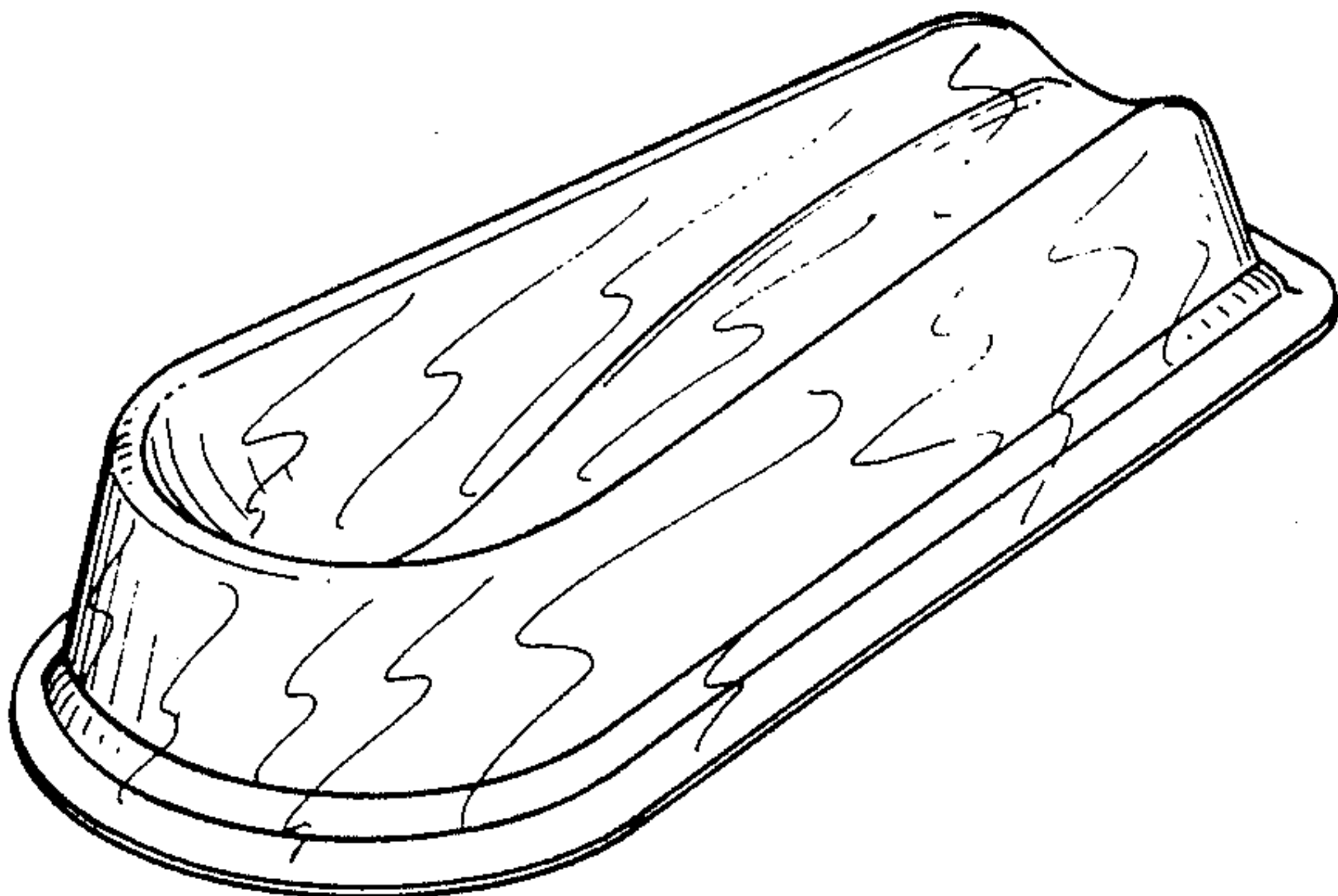


Fig. 10

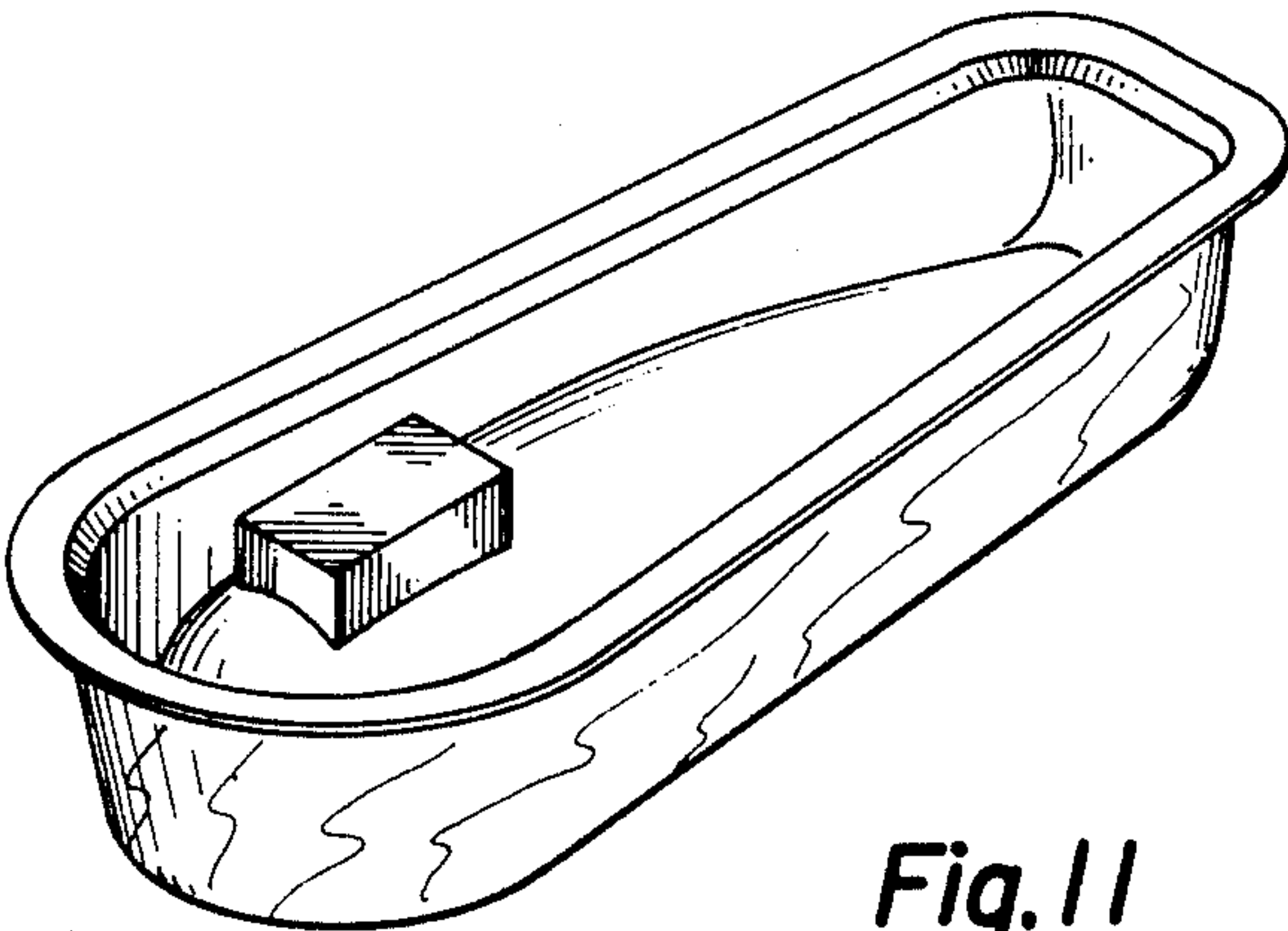


Fig. 11

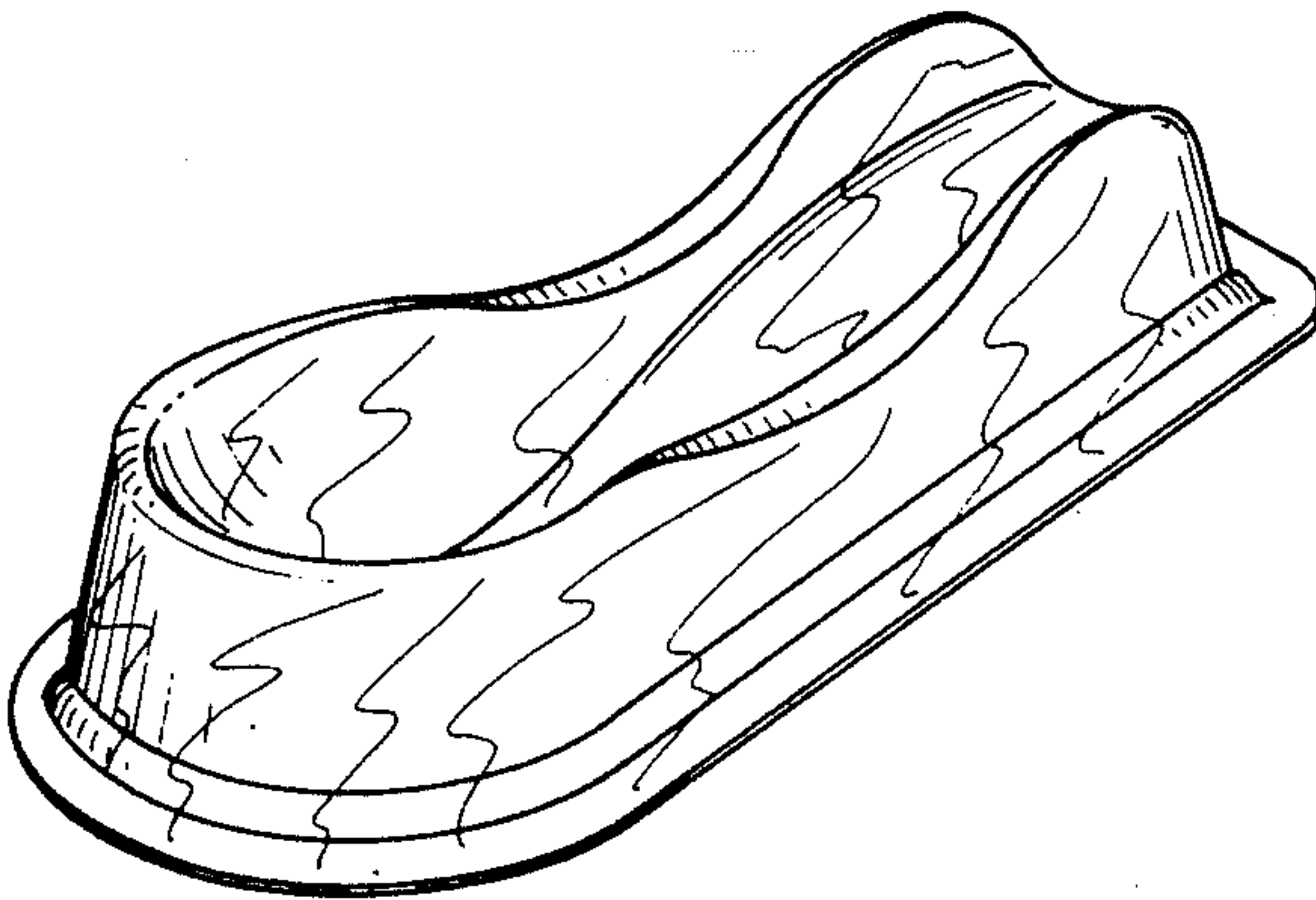


Fig. 12

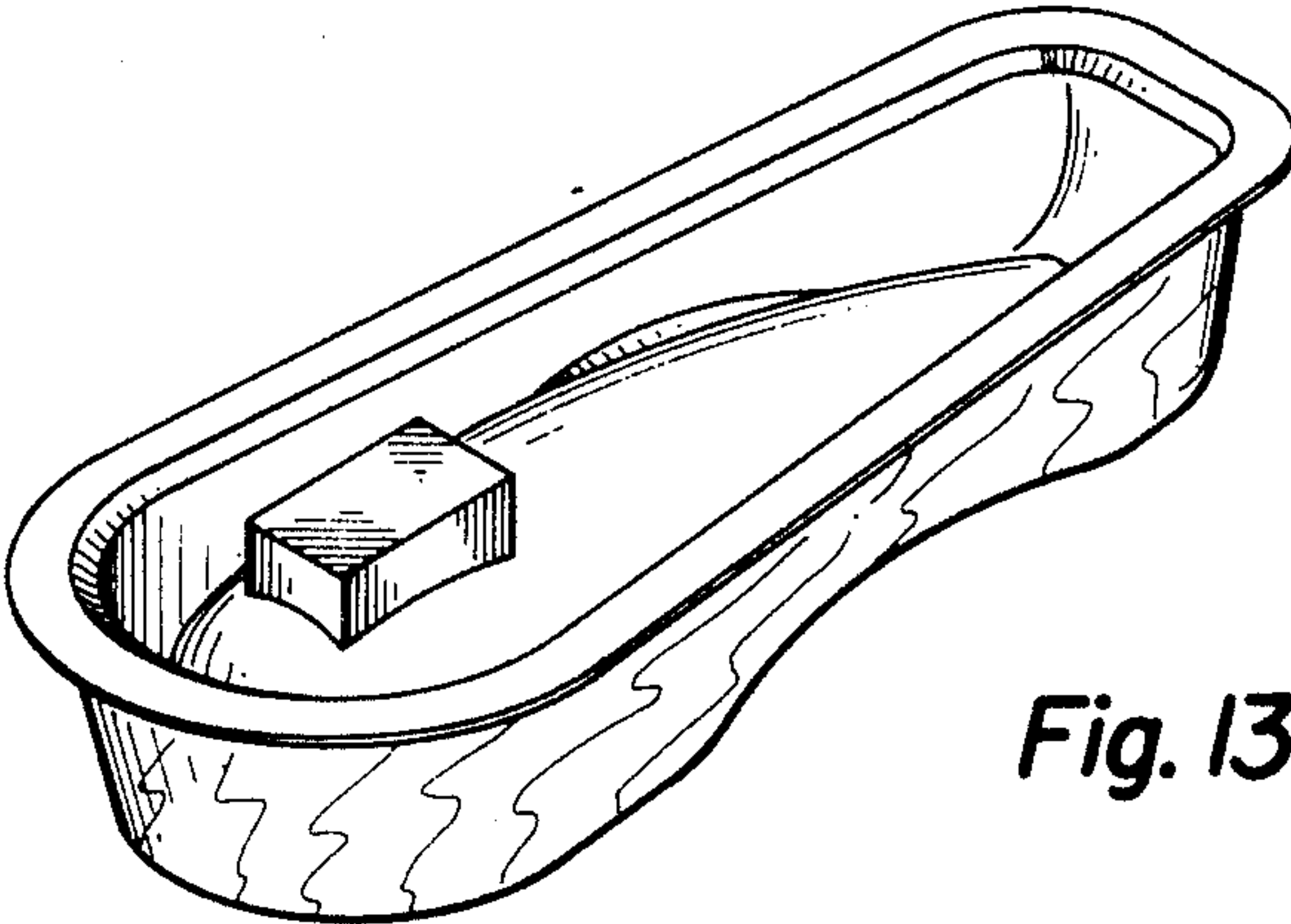


Fig. 13