

[54] VALVE CAP FOR A VACUUM CURETTAGE VESSEL

[75] Inventors: Michael D. Thomas, Arab, Ala.; Francis E. Ryder, Barrington, Ill.

[73] Assignee: Ryder International Corporation, Barrington, Ill.

[**] Term: 14 Years

[21] Appl. No.: 772,977

[22] Filed: Feb. 28, 1977

Related U.S. Application Data

[63] Continuation-in-part of Ser. No. 639,648, Dec. 11, 1975, Pat. No. D. 244,719.

[51] Int. Cl. D24-04

[52] U.S. Cl. D24/99

[58] Field of Search D24/28, 59, 99; 128/276, 304

[56]

References Cited

U.S. PATENT DOCUMENTS

3,863,624	2/1975	Gram	128/276
3,889,682	6/1975	Denis et al.	128/276
3,939,835	2/1976	Bridgman	128/276
3,946,739	3/1976	Berman et al.	128/276

Primary Examiner—Bernard Ansher
Attorney, Agent, or Firm—Richard R. Trexler

[57]

CLAIM

The ornamental design for a valve cap for a vacuum curettage vessel, substantially as shown and described.

DESCRIPTION

FIG. 1 is a top perspective view of a valve cap for a vacuum curettage vessel showing our new design; FIG. 2 is a top plan view thereof; FIG. 3 is a front elevation thereof; FIG. 4 is a left side elevation thereof; FIG. 5 is a rear elevation thereof; and FIG. 6 is a right side elevation thereof.

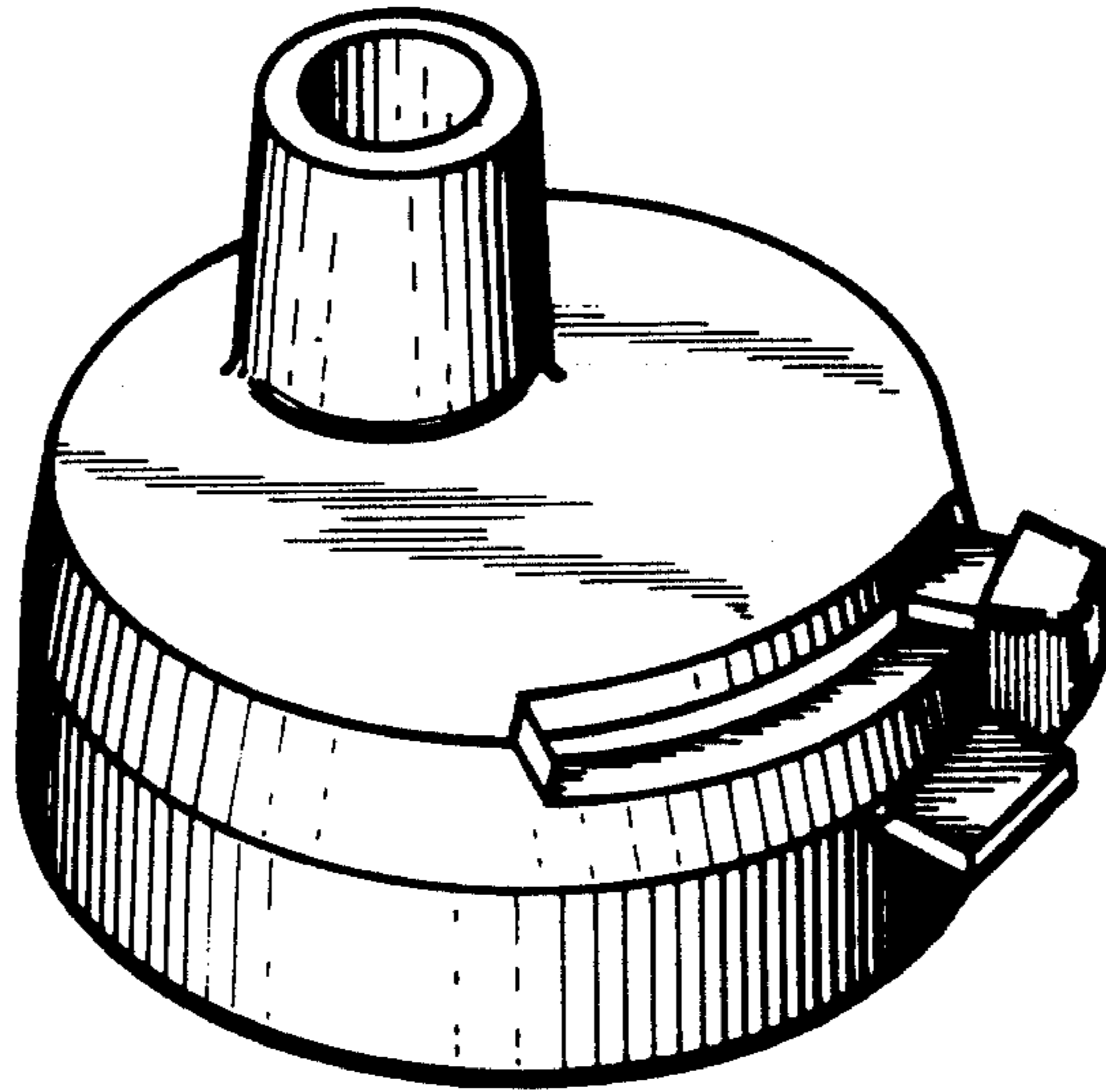


FIG. 1

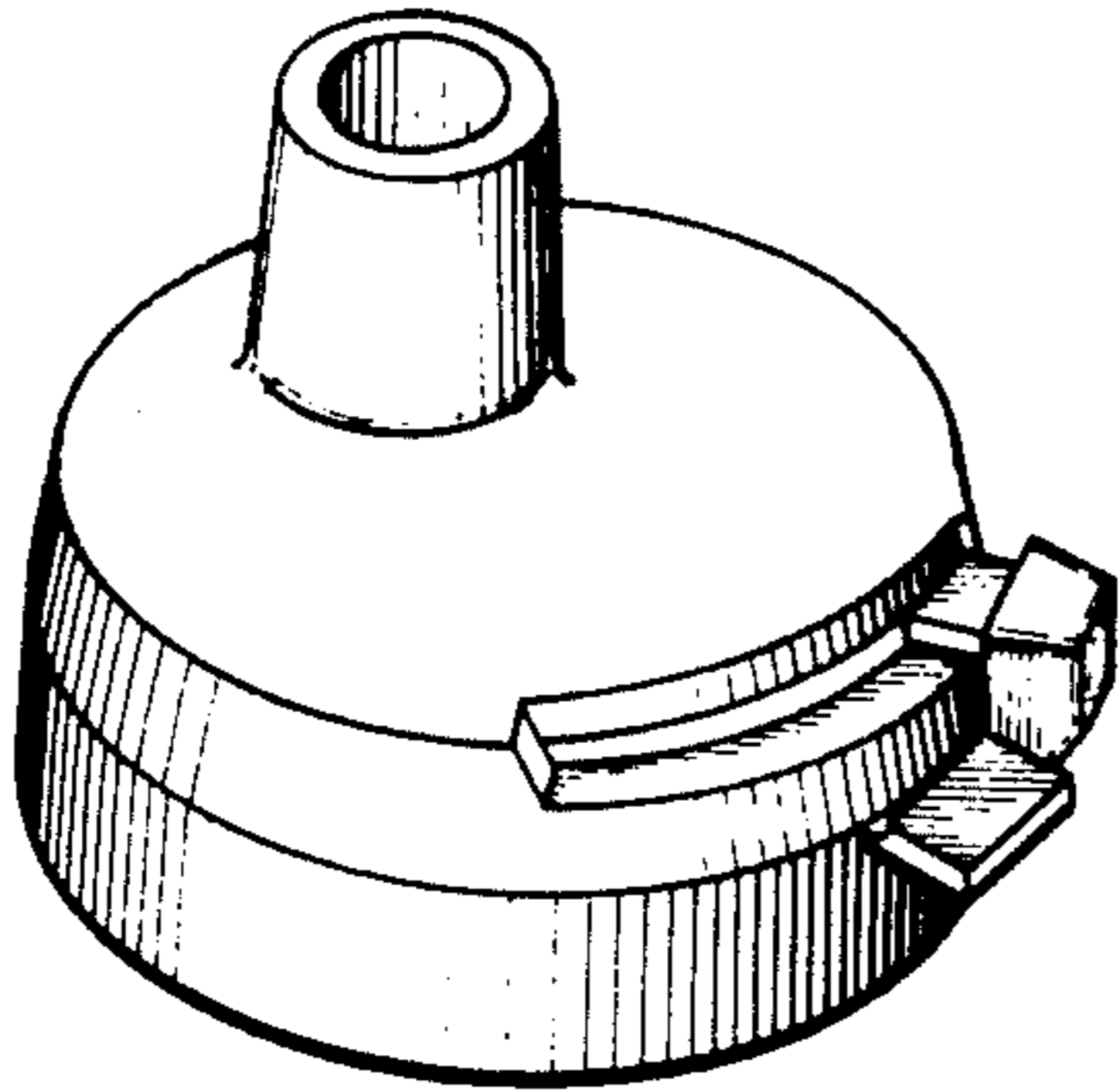


FIG. 2

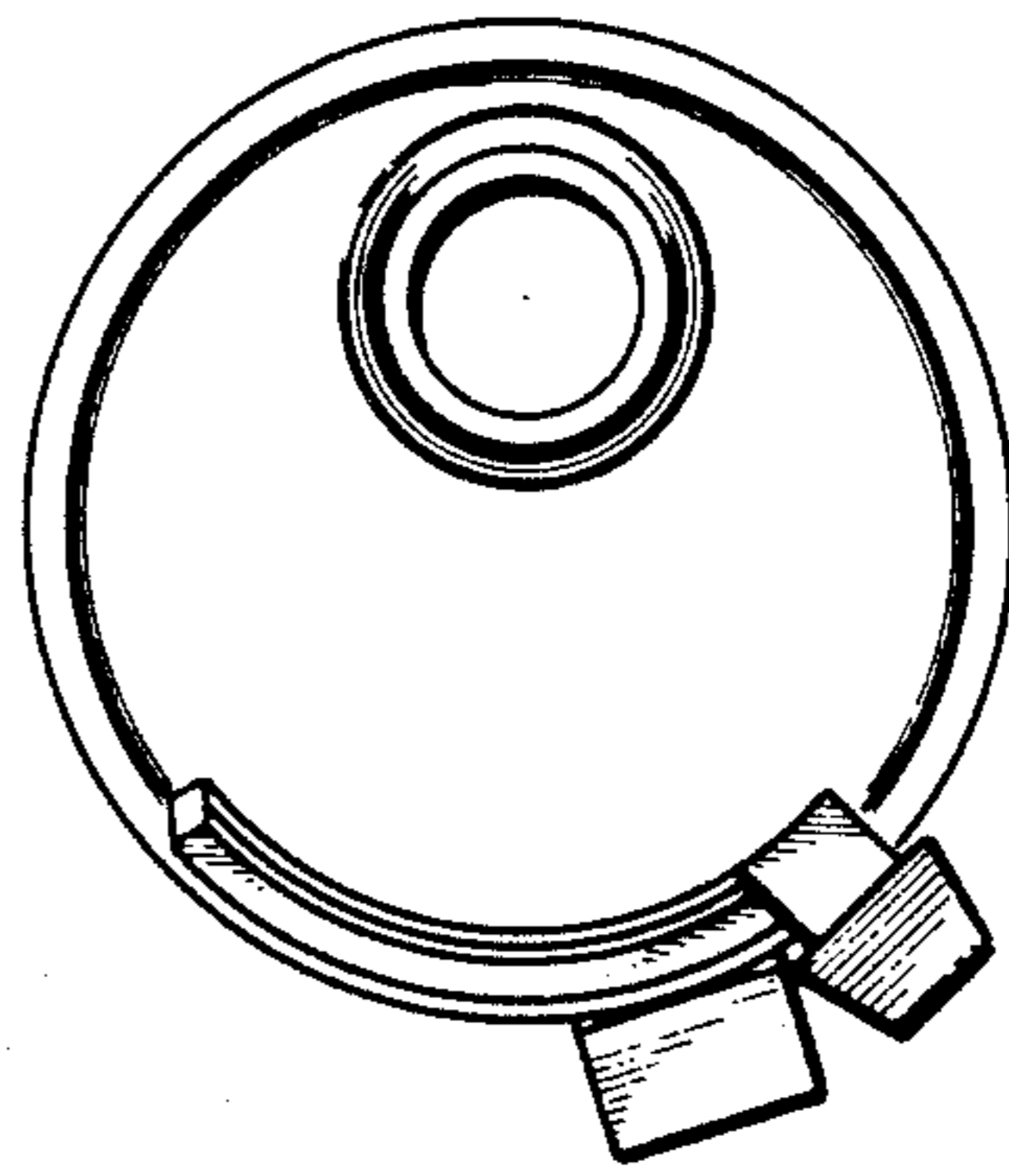


FIG. 3

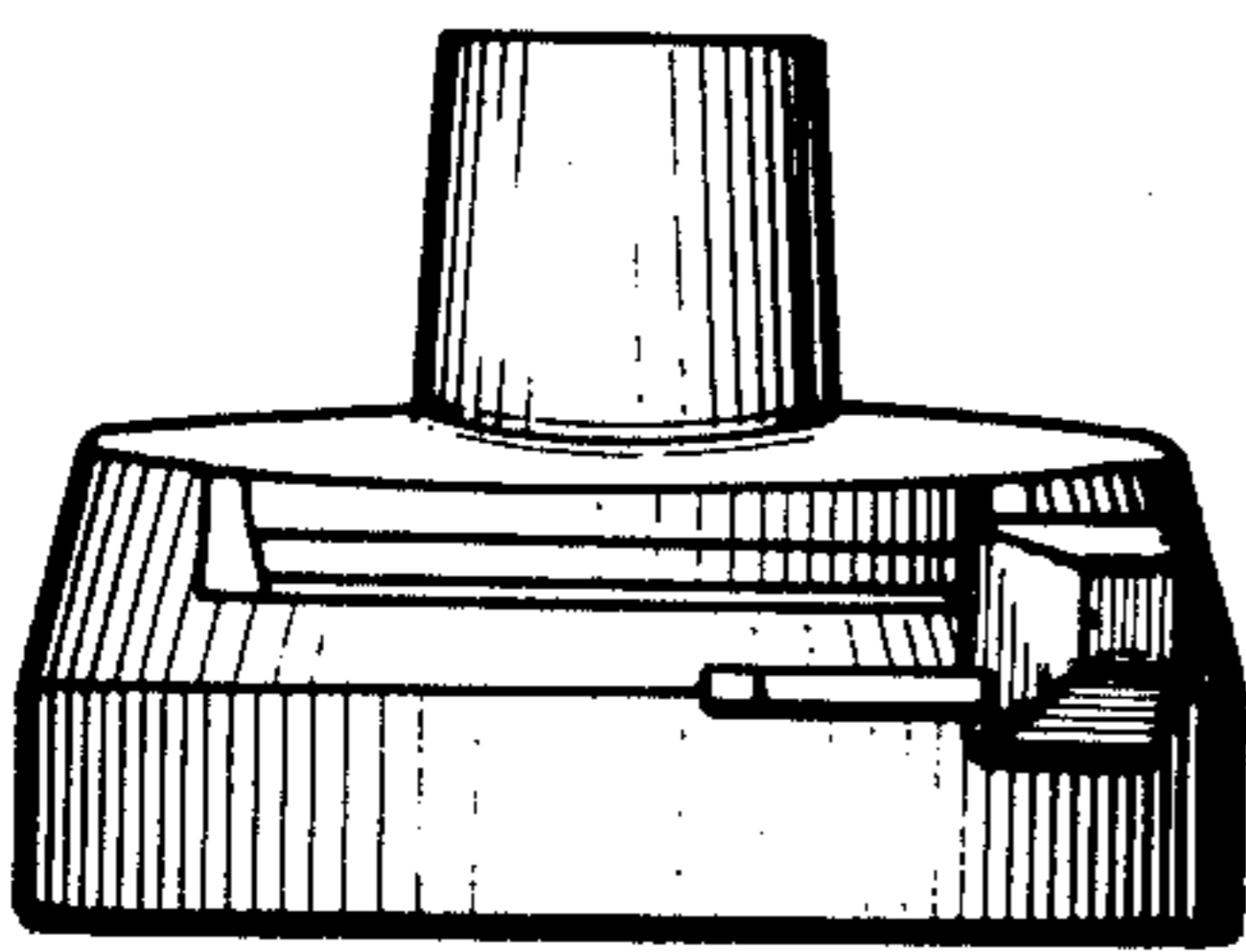


FIG. 4

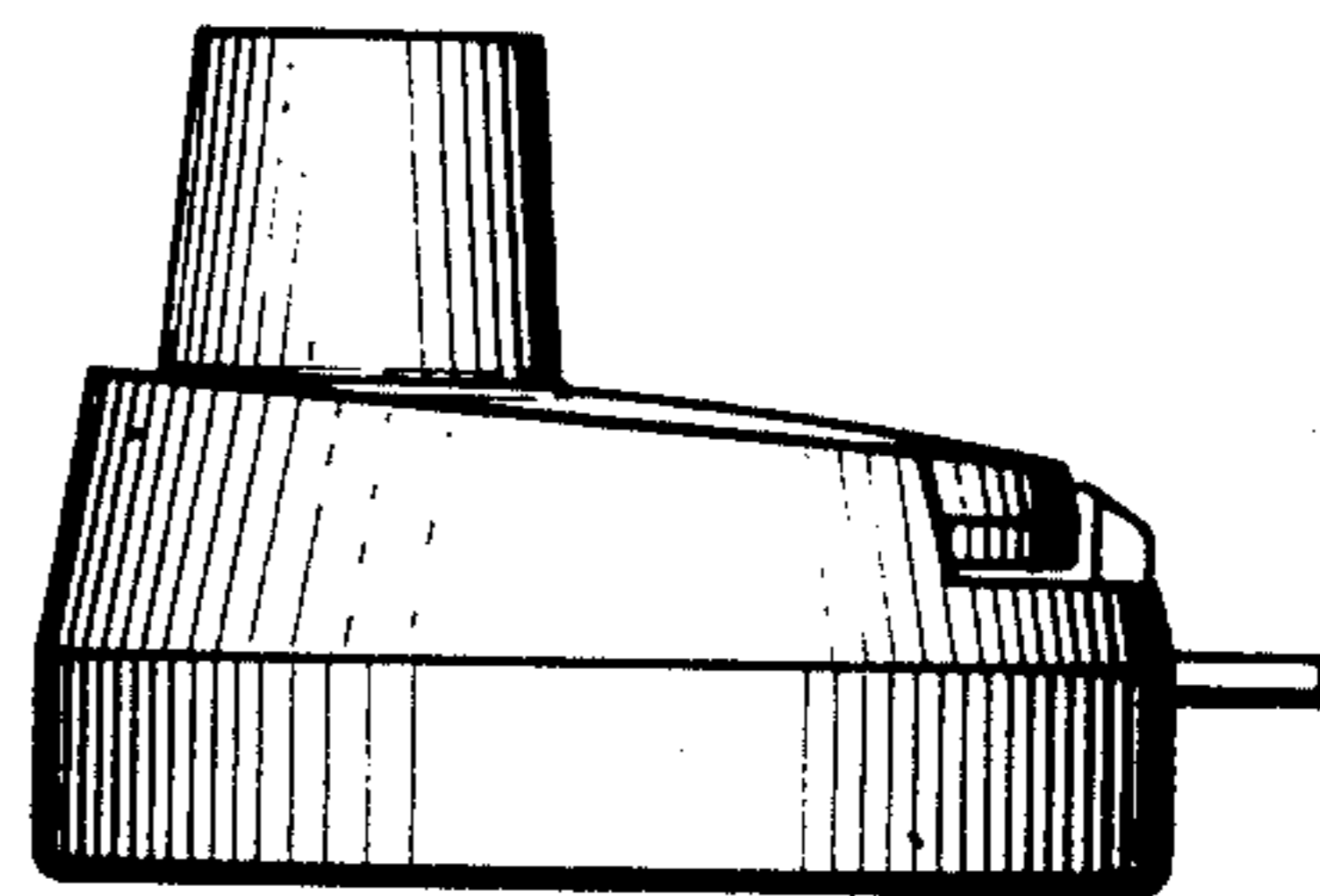


FIG. 5

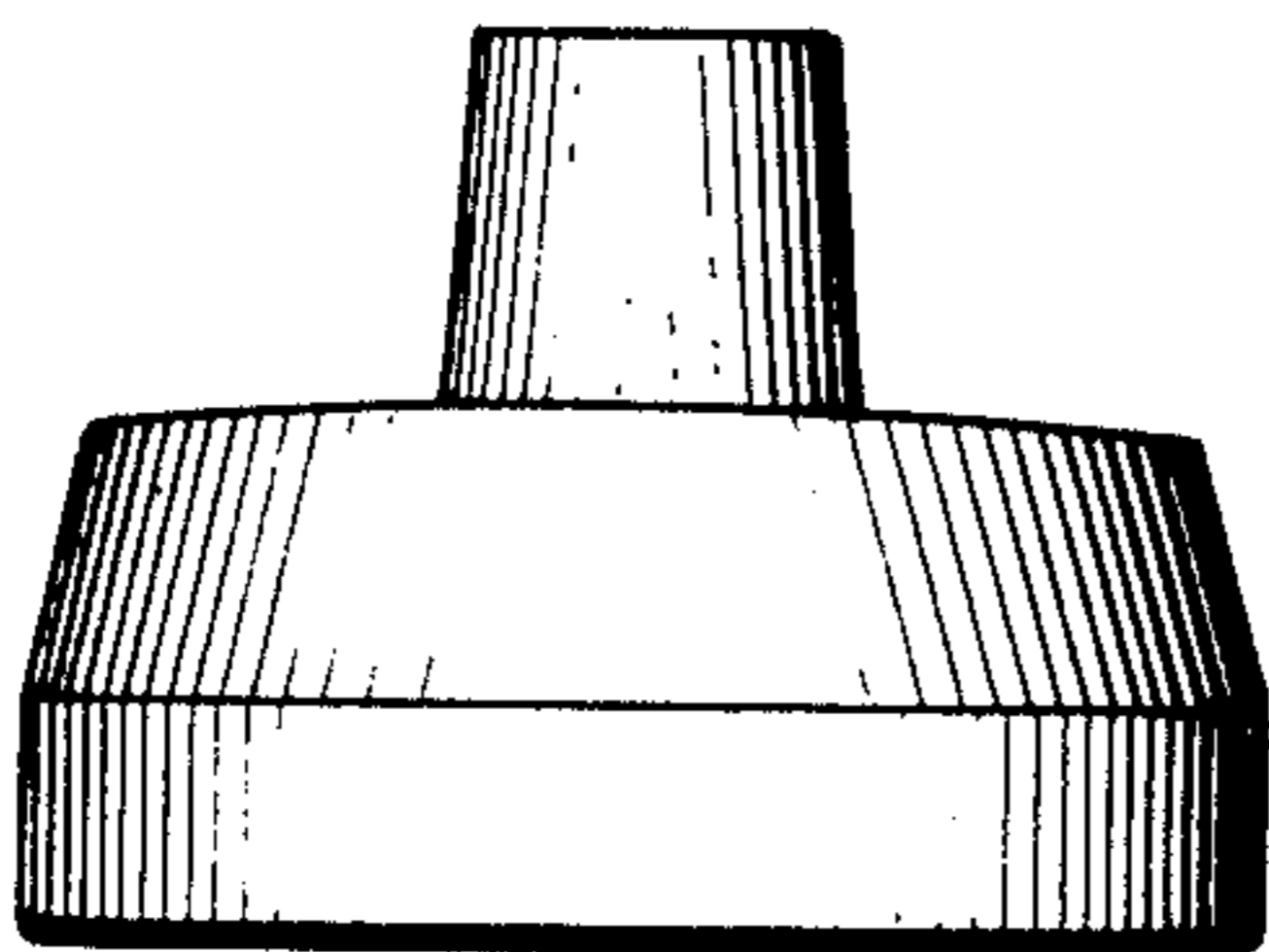


FIG. 6

