

[54] COMBINED PUNCHER, STAPLER AND HOLDER FOR DESK UTENSILS

[75] Inventor: Roland Spellier, Lemgo, Fed. Rep. of Germany

[73] Assignee: Firma Richard Heinze GmbH & Co. KG, Herford, Fed. Rep. of Germany

[**] Term: 14 Years

[21] Appl. No.: 622,320

[22] Filed: Oct. 14, 1975

[30] Foreign Application Priority Data
Apr. 15, 1975 [DE] Fed. Rep. of Germany ... 6 MR 1235

[51] Int. Cl. D19-02

[52] U.S. Cl. D19/72; D8/50;
D19/75; D19/78

[58] Field of Search D8/48-50;
D19/72, 75, 77, 65

[56] References Cited

U.S. PATENT DOCUMENTS

D. 174,462	4/1955	Olsen	D8/50
D. 177,759	5/1956	Pike, Jr.	D19/77
D. 191,932	12/1961	Schroeder	D19/77
D. 197,541	2/1964	Abend et al.	D19/72
D. 215,692	10/1969	Glennon	D8/50
D. 230,520	2/1974	Dahle	D8/50

Primary Examiner—Joel Stearman
Assistant Examiner—George P. Word
Attorney, Agent, or Firm—George Vande Sande

[57] CLAIM

The ornamental design for a combined puncher, stapler and holder for desk utensils, as shown and described.

DESCRIPTION

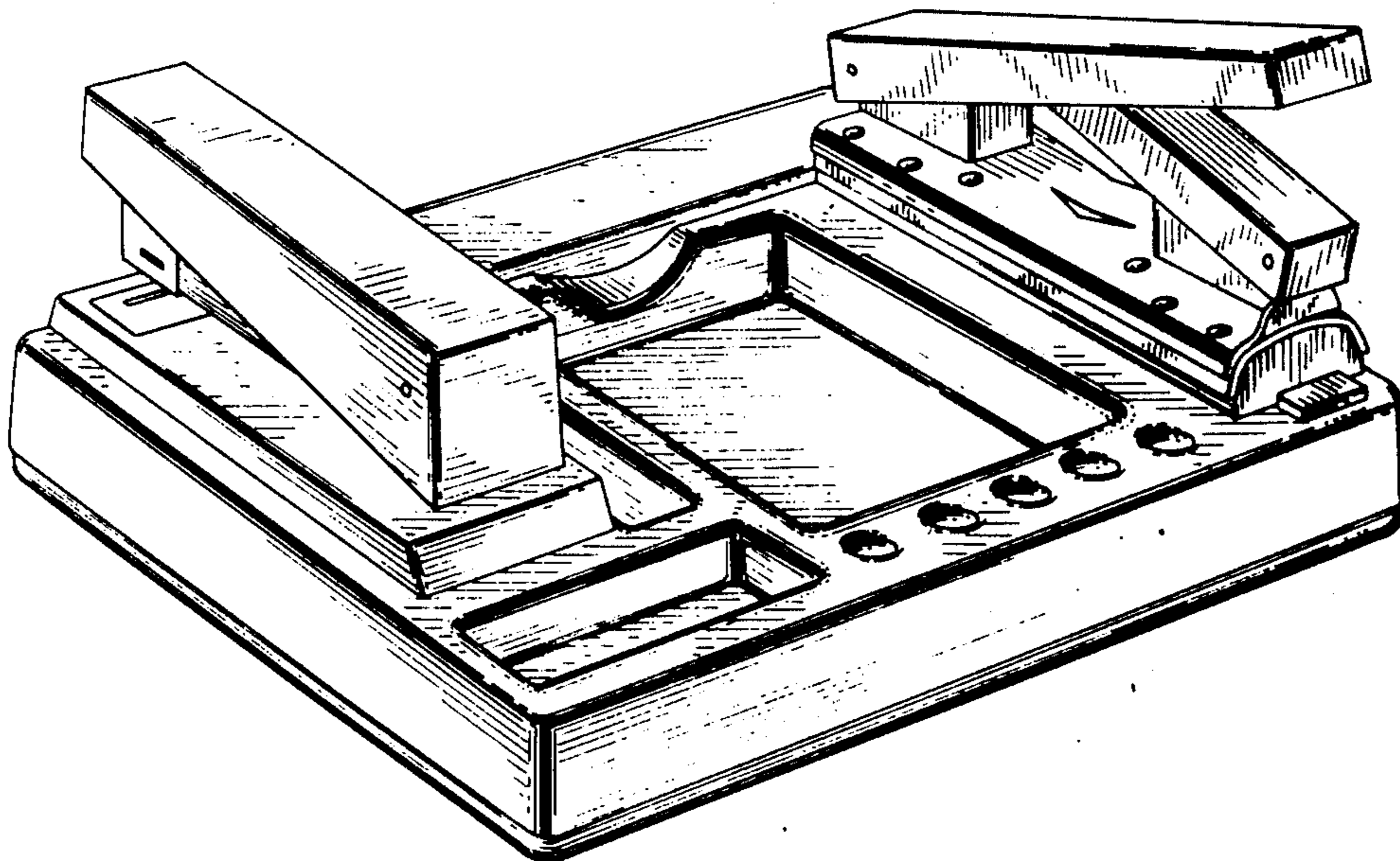
FIG. 1 is a left front perspective view of a combined puncher, stapler and holder for desk utensils showing my new design;

FIG. 2 is a right side elevational view thereof;

FIG. 3 is a rear elevational view; and

FIG. 4 is a right front perspective view thereof.

The bottom surface not shown is plain and unornamented.



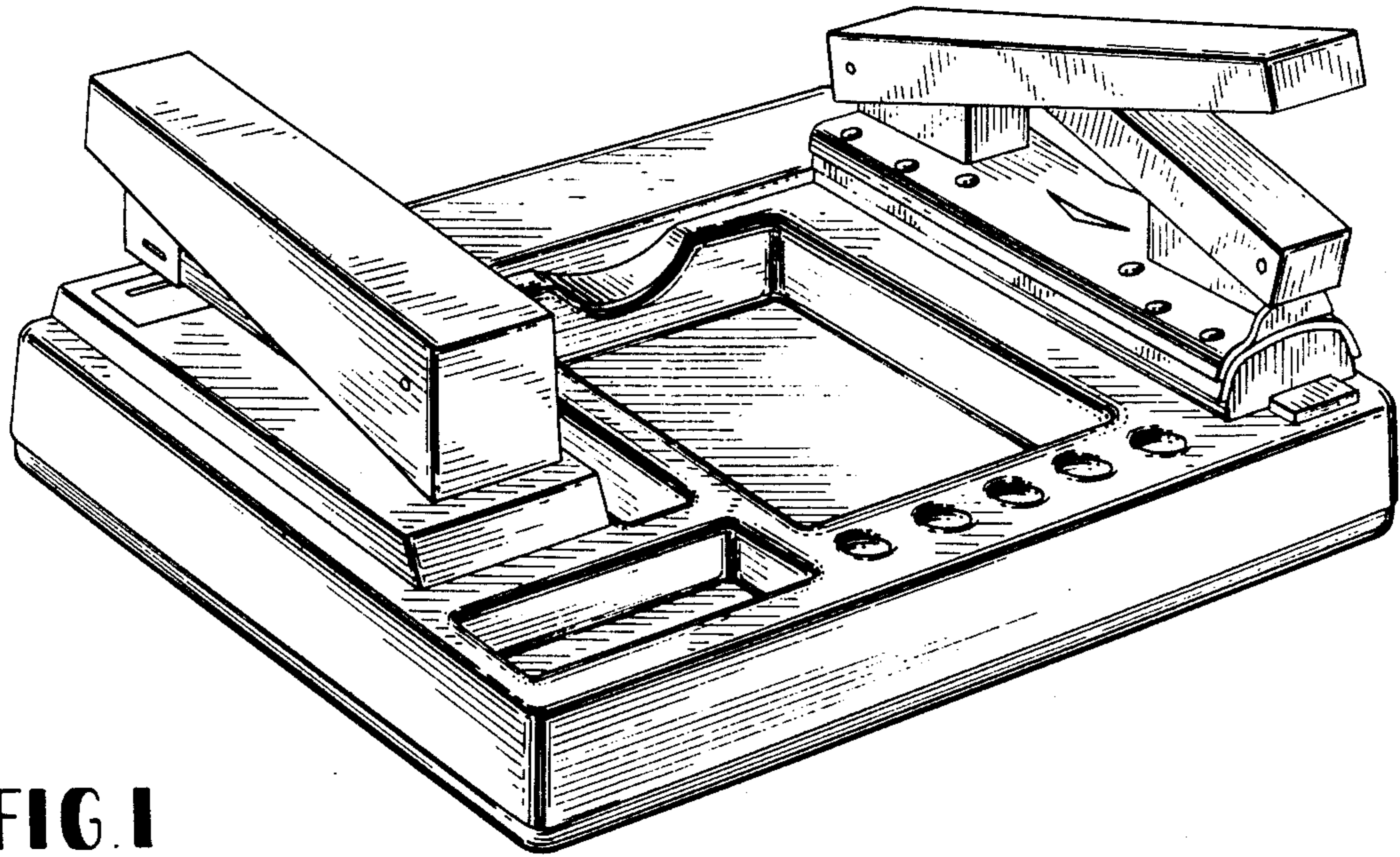


FIG. 1

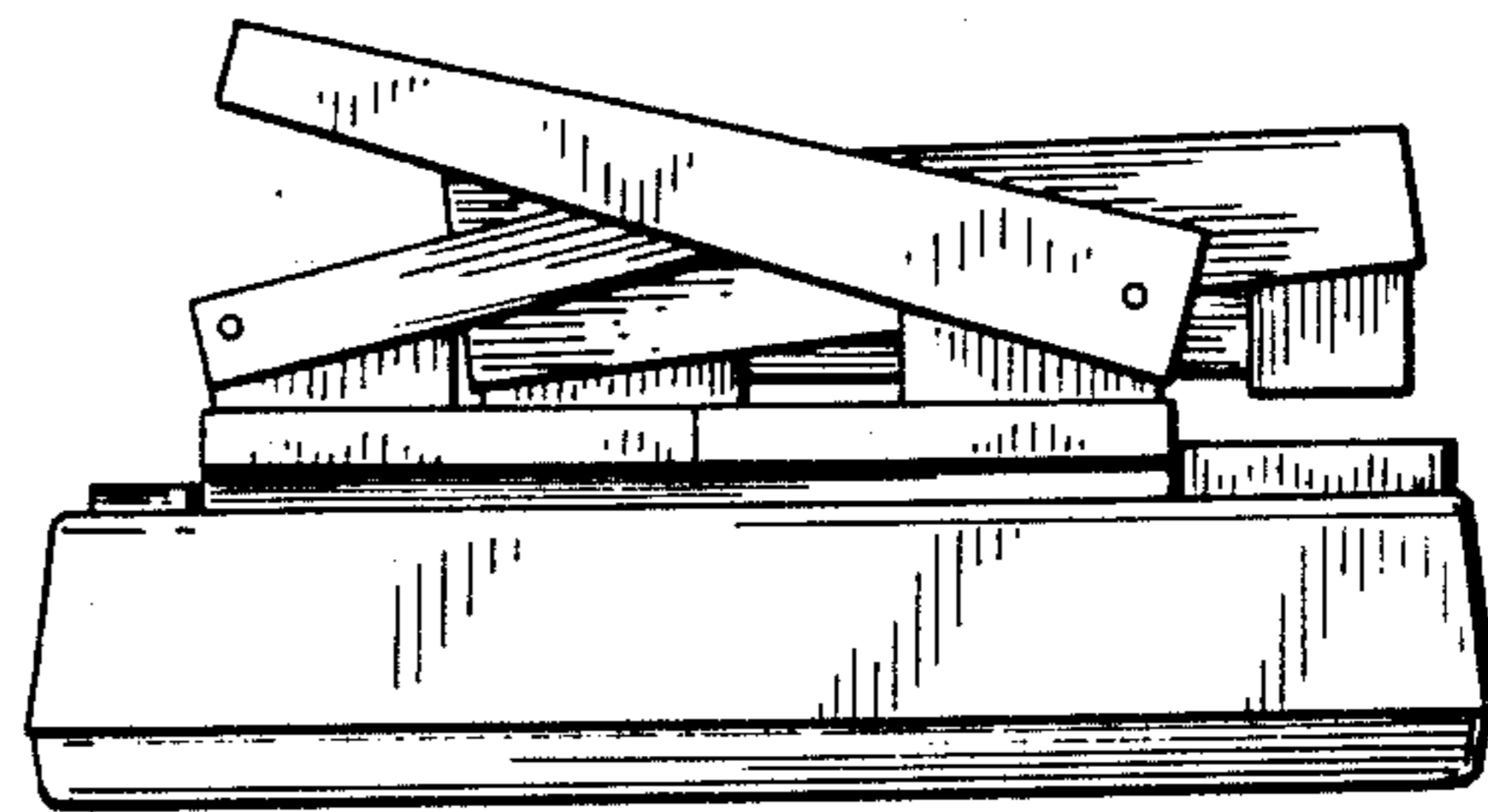


FIG. 2

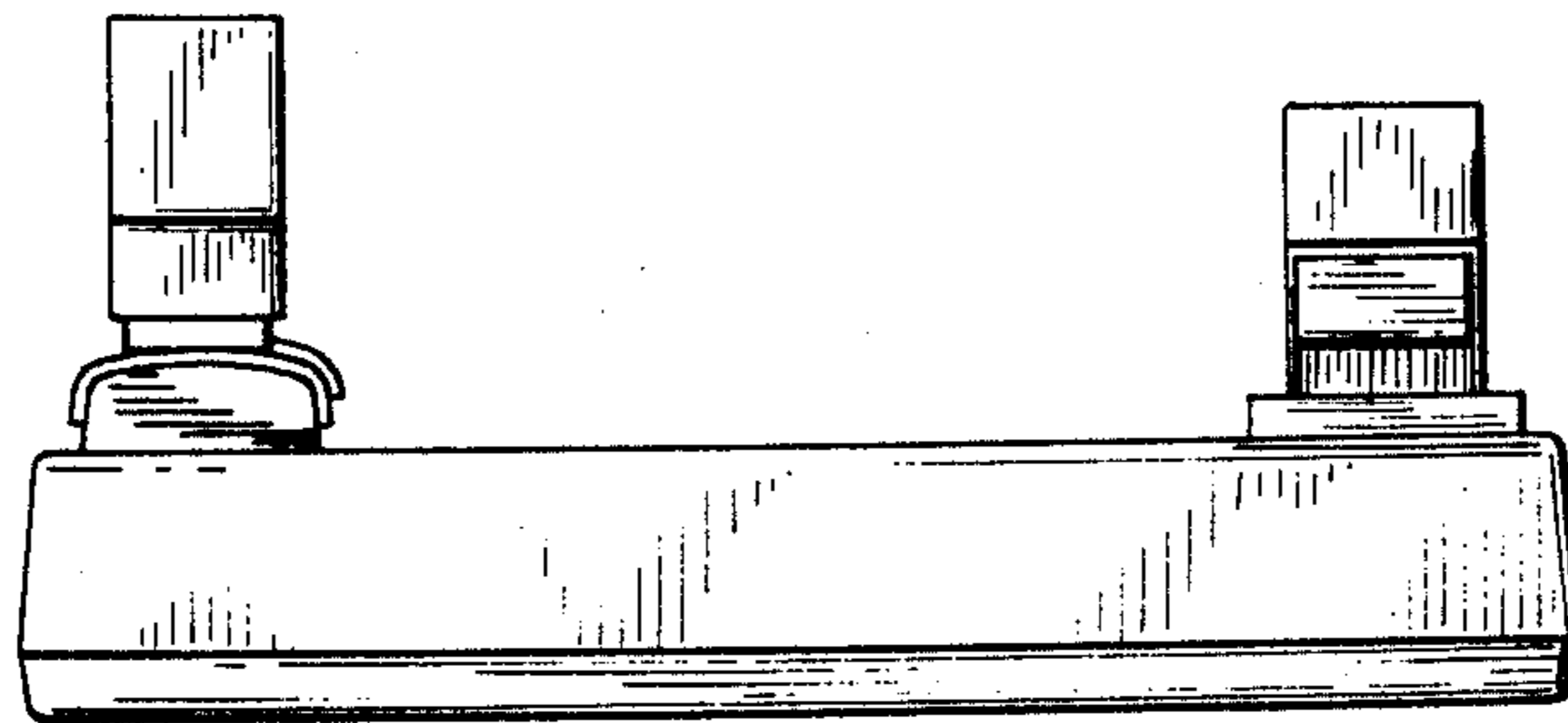


FIG. 3

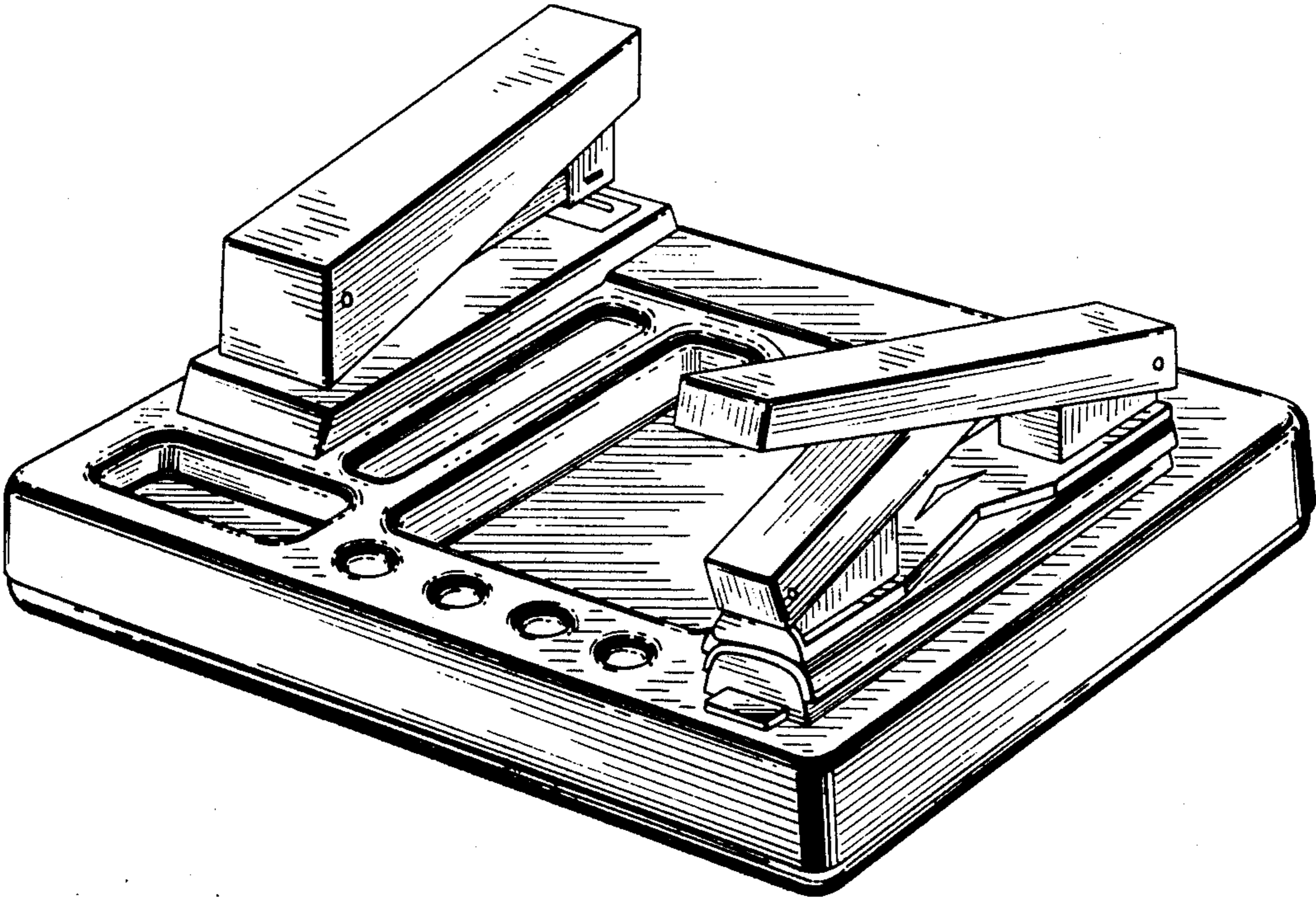


FIG. 4