

- [54] MICROFORM READER/VIEWER
- [75] Inventor: John W. Overman, Colgate, Wis.
- [73] Assignee: Bell & Howell Company, Chicago, Ill.
- [**] Term: 14 Years
- [21] Appl. No.: 765,512
- [22] Filed: Feb. 4, 1977
- [51] Int. Cl.² D16-03
- [52] U.S. Cl. D16/11
- [58] Field of Search D16/11, 14, 15, 18, D16/17; 353/15-19, 22-24, 68, 71, 72, 74-80, 119; 40/106.1

[56] References Cited

U.S. PATENT DOCUMENTS

D. 196,340	9/1963	Peters	D16/14 X
D. 210,751	4/1968	Costa	D16/18
D. 217,509	5/1970	Merino	D16/18
3,187,626	6/1965	Mindell et al.	D16/14 X
3,715,155	2/1973	Grupp	353/15

Primary Examiner—Wallace R. Burke
 Assistant Examiner—Catherine Kemper
 Attorney, Agent, or Firm—Robert A. Walsh

[57] CLAIM

The ornamental design for a microform reader/viewer, or similar article, as shown and described.

DESCRIPTION

FIG. 1 is a right side elevational view of a Microform Reader/Viewer showing my new design in an open position.
 FIG. 2 is a front elevational view thereof.
 FIG. 3 is a top plan view thereof.
 FIG. 4 is a rear elevational view of the design shown in FIG. 1.
 FIG. 5 is a left side elevational view thereof.
 FIG. 6 is a rear perspective view of the design shown in FIG. 1 in the closed position.
 FIG. 7 is a bottom plan view thereof.
 FIG. 8 is a front perspective view thereof.
 FIG. 9 is a top front perspective view of the design in an open position.

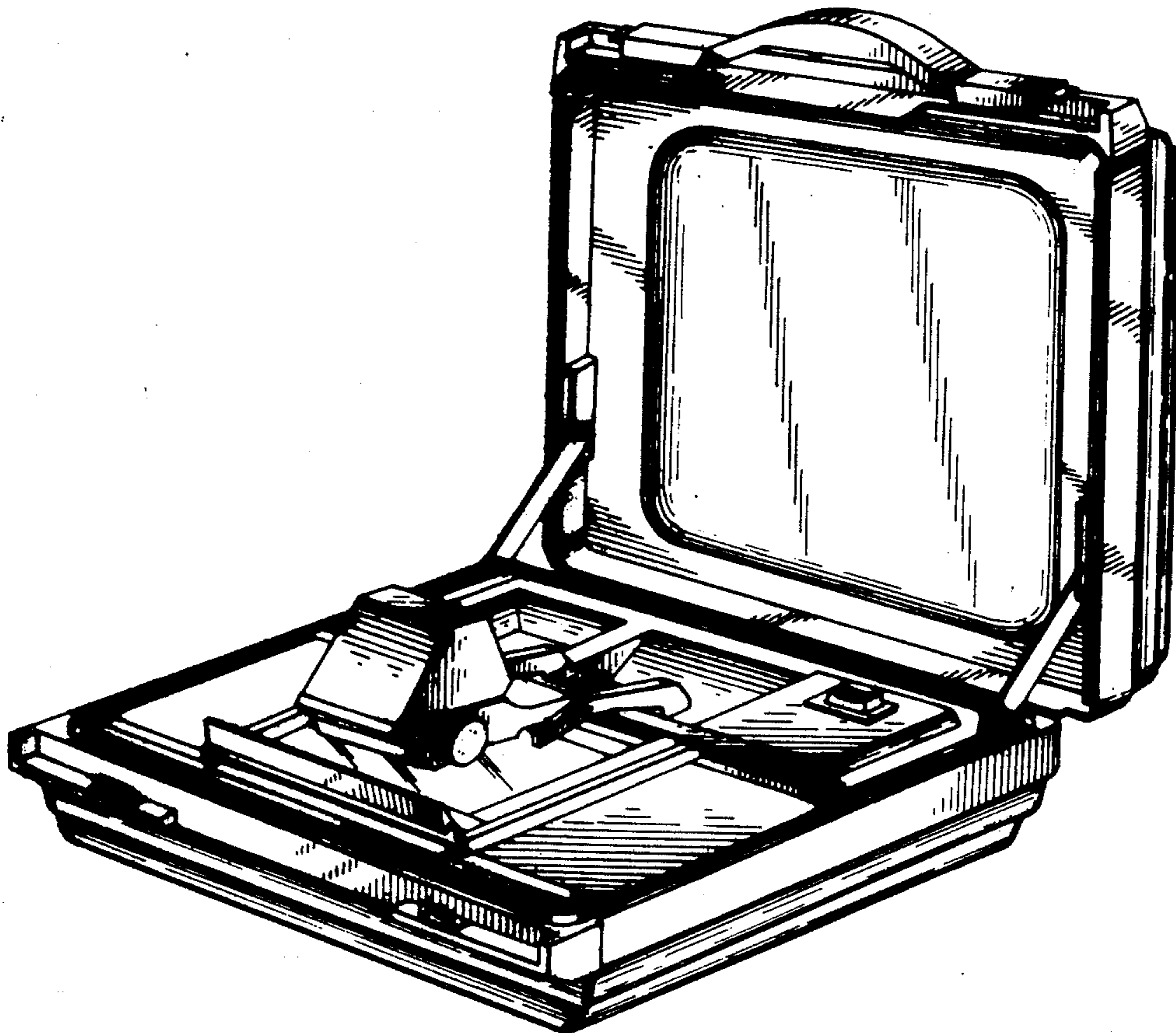


Fig. 1.

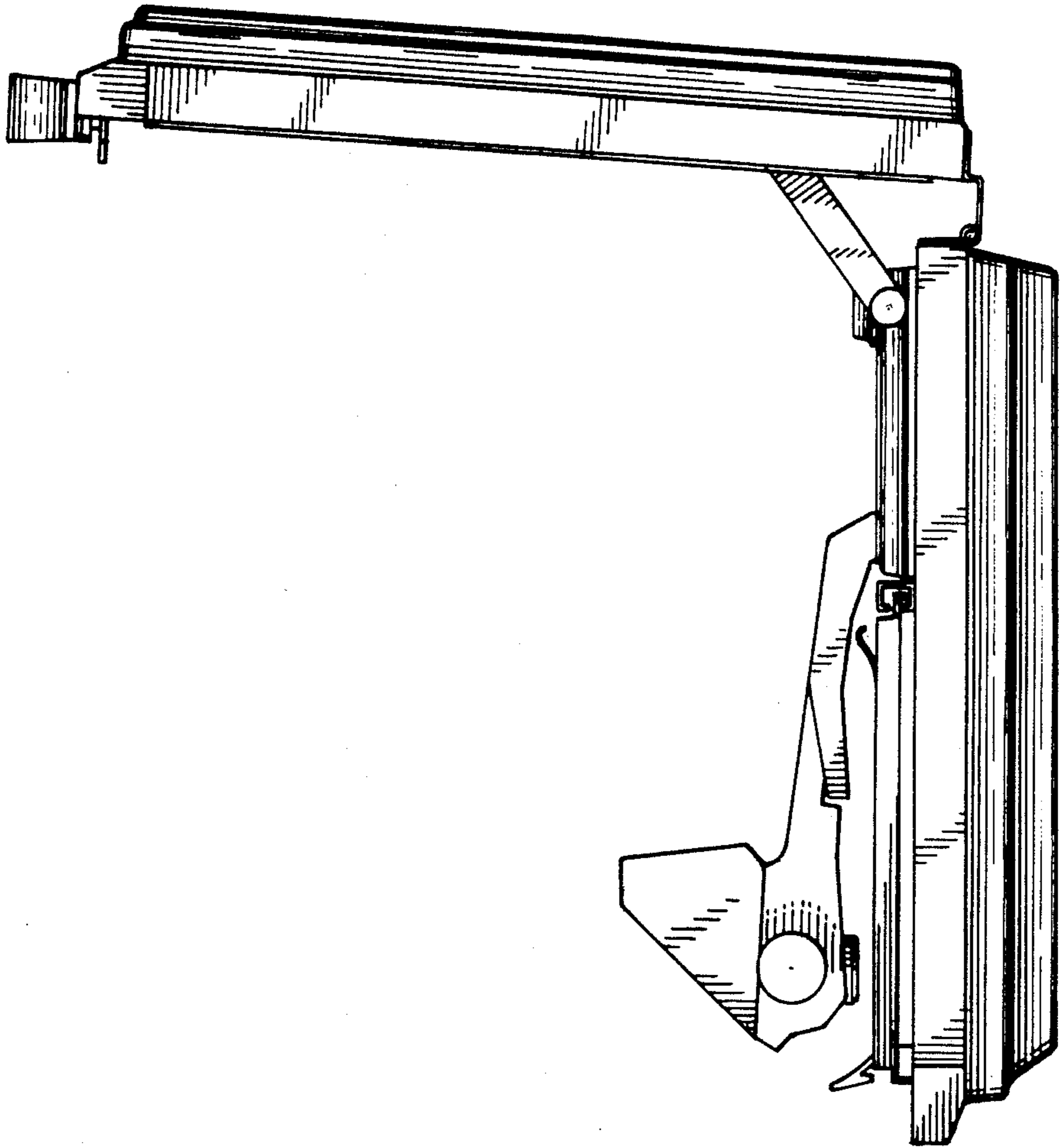


Fig. 2.

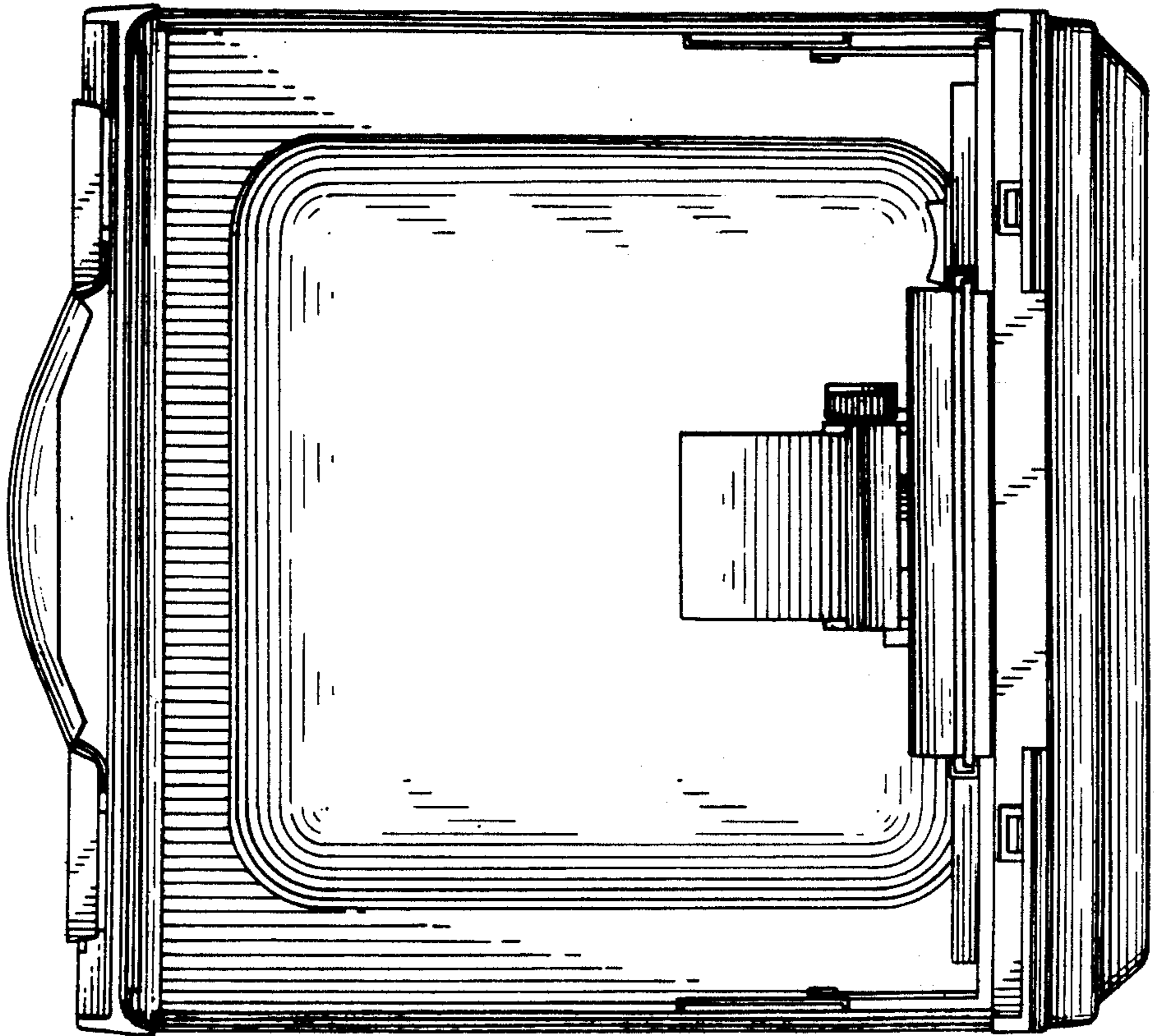


Fig. 4.

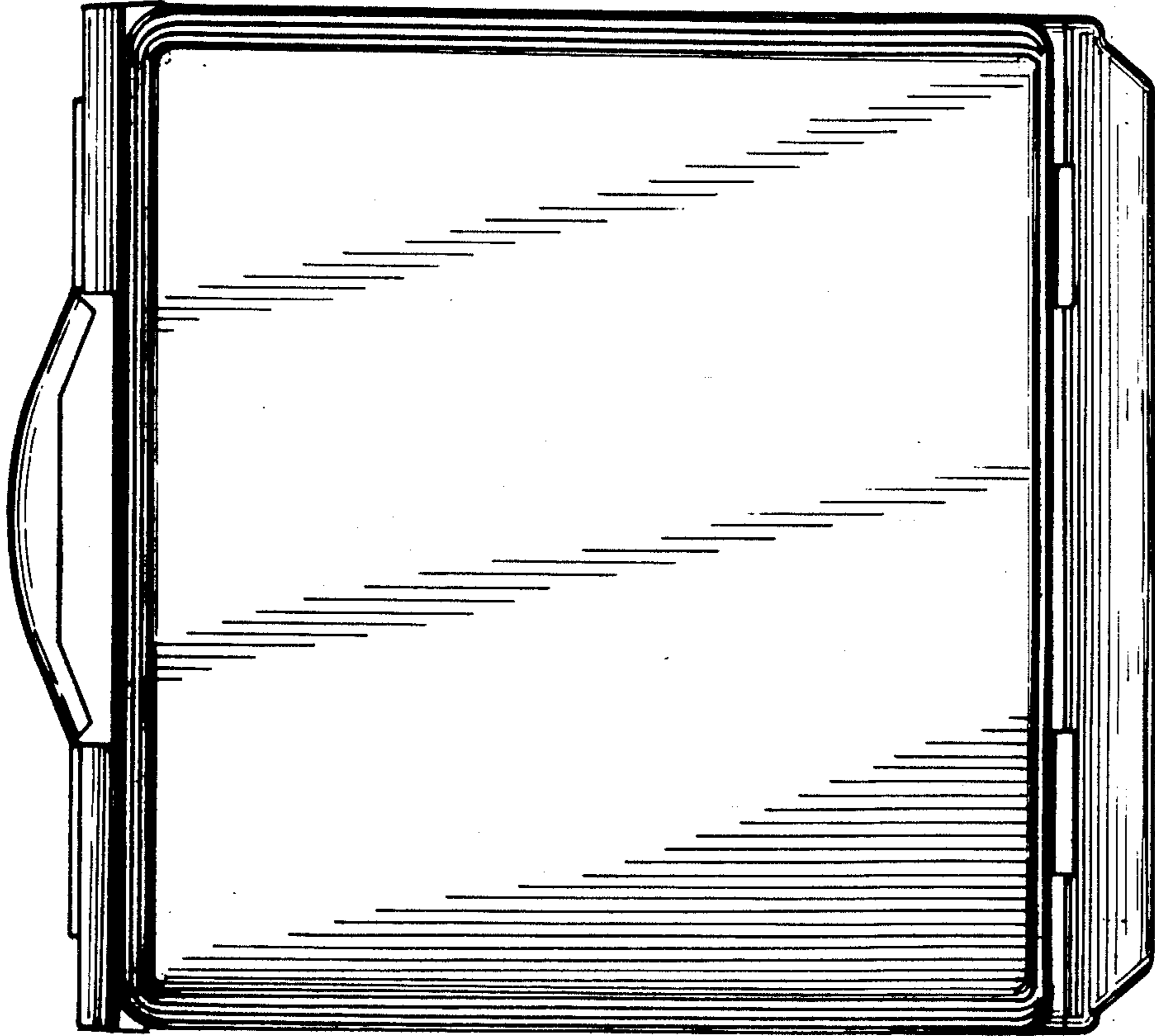


Fig. 3.

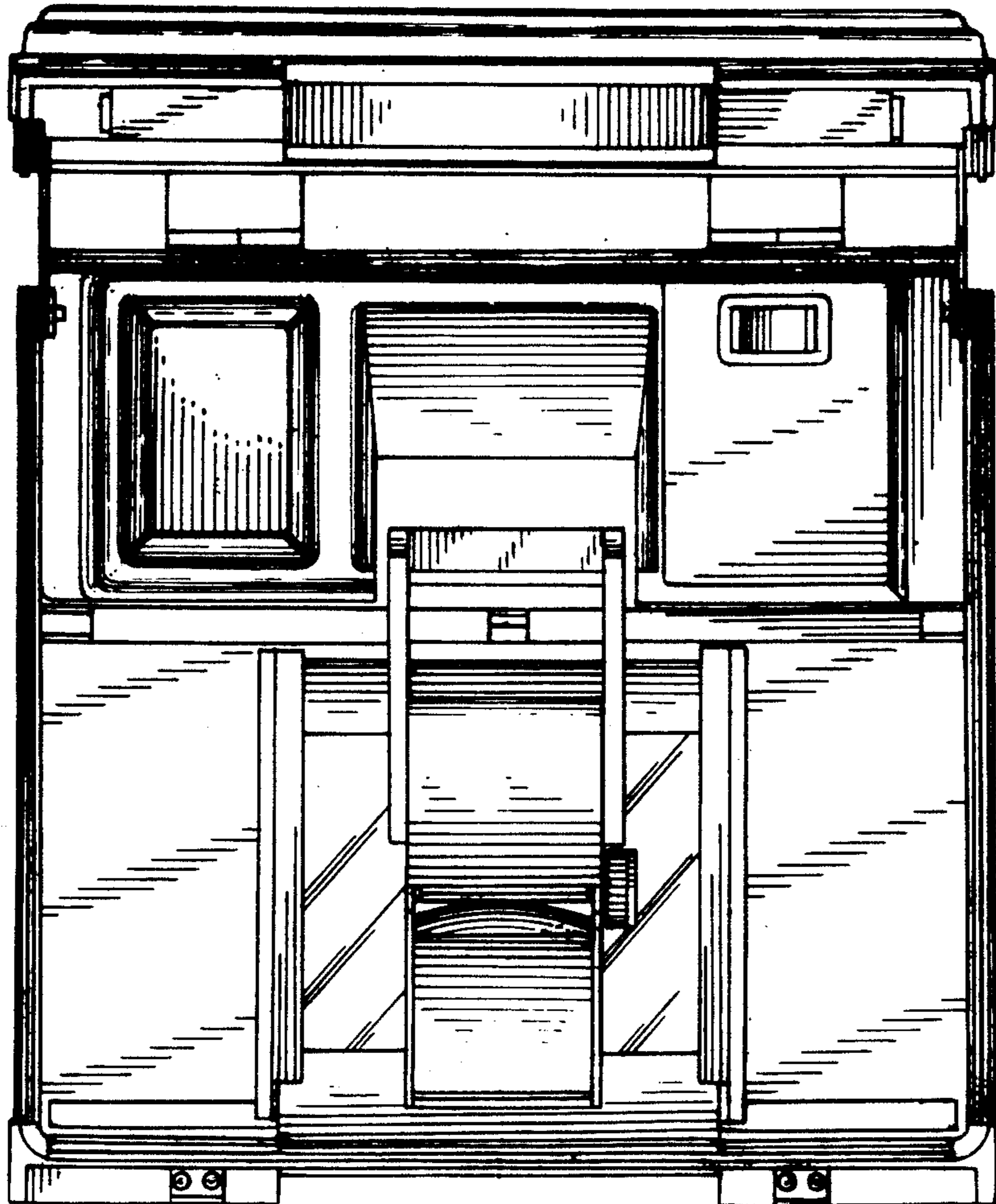


Fig. 5.

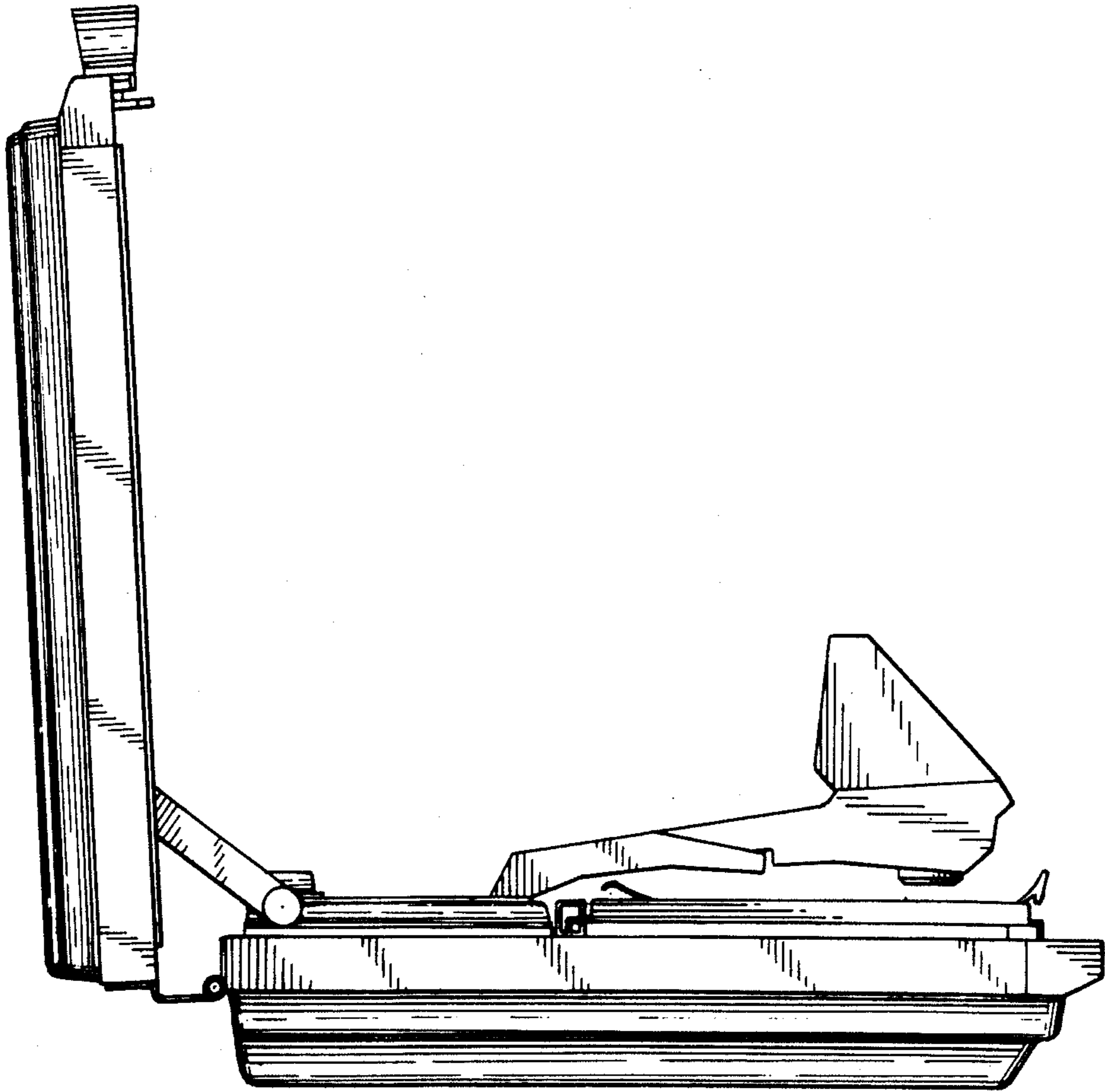


Fig. 6.

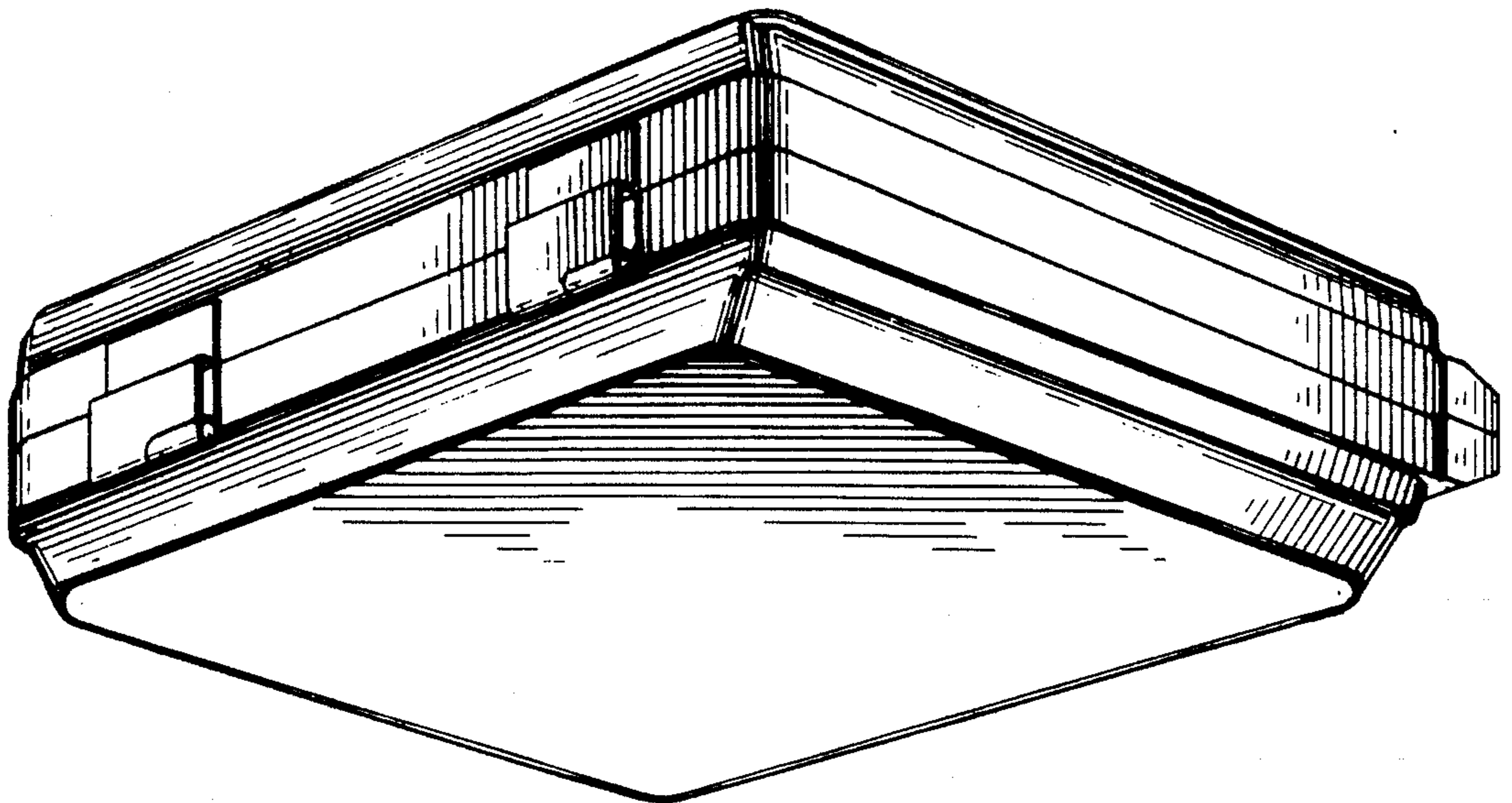


Fig. 7.

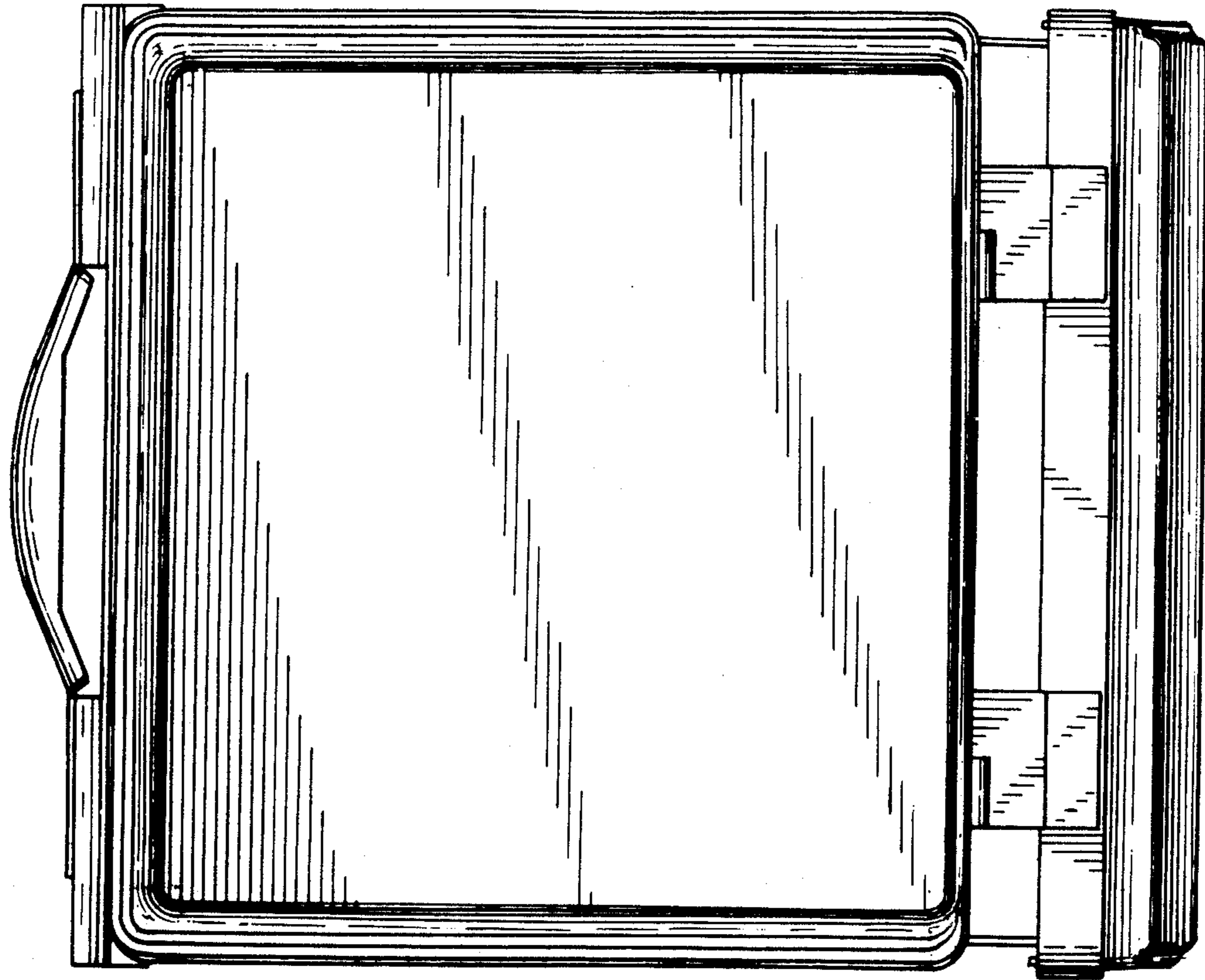


Fig. 8.

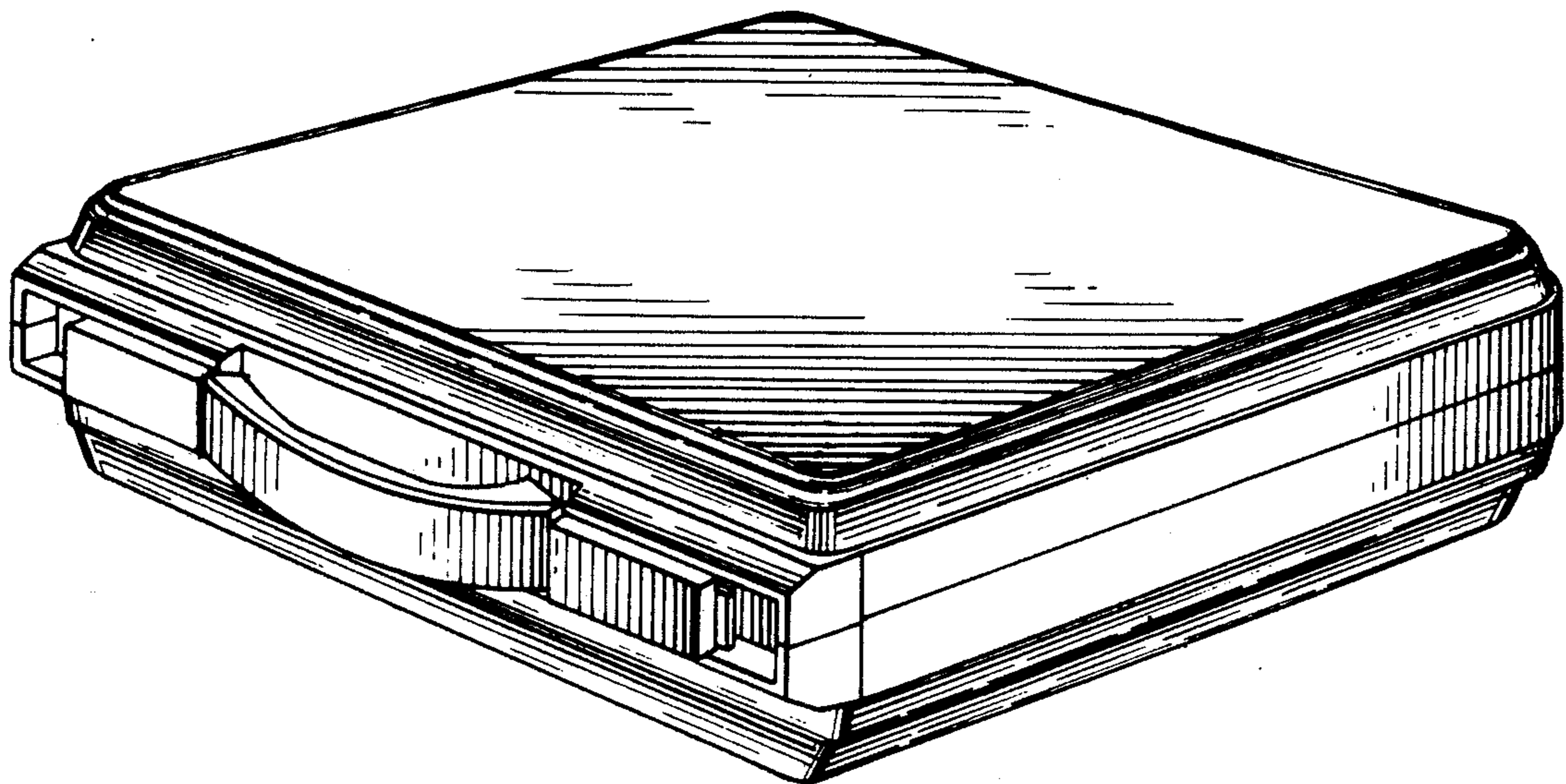


Fig. 9.

