

[54] STEREO SPEAKER UNIT

[75] Inventor: William W. Phillips, Rancho Palos Verdes, Calif.

[73] Assignee: Shaymar, Inc., Beverly Hills, Calif.

[**] Term: 14 Years

[21] Appl. No.: 737,184

[22] Filed: Nov. 1, 1976

[51] Int. Cl. D14-01

[52] U.S. Cl. D14/33

[58] Field of Search D14/30, 33; 181/141, 181/148, 144-146, 152, 155; 179/1 E

[56] References Cited

U.S. PATENT DOCUMENTS

D. 178,361 7/1956 Grigg D14/33
3,976,162 8/1976 Cummings 181/148

Primary Examiner—Wallace R. Burke

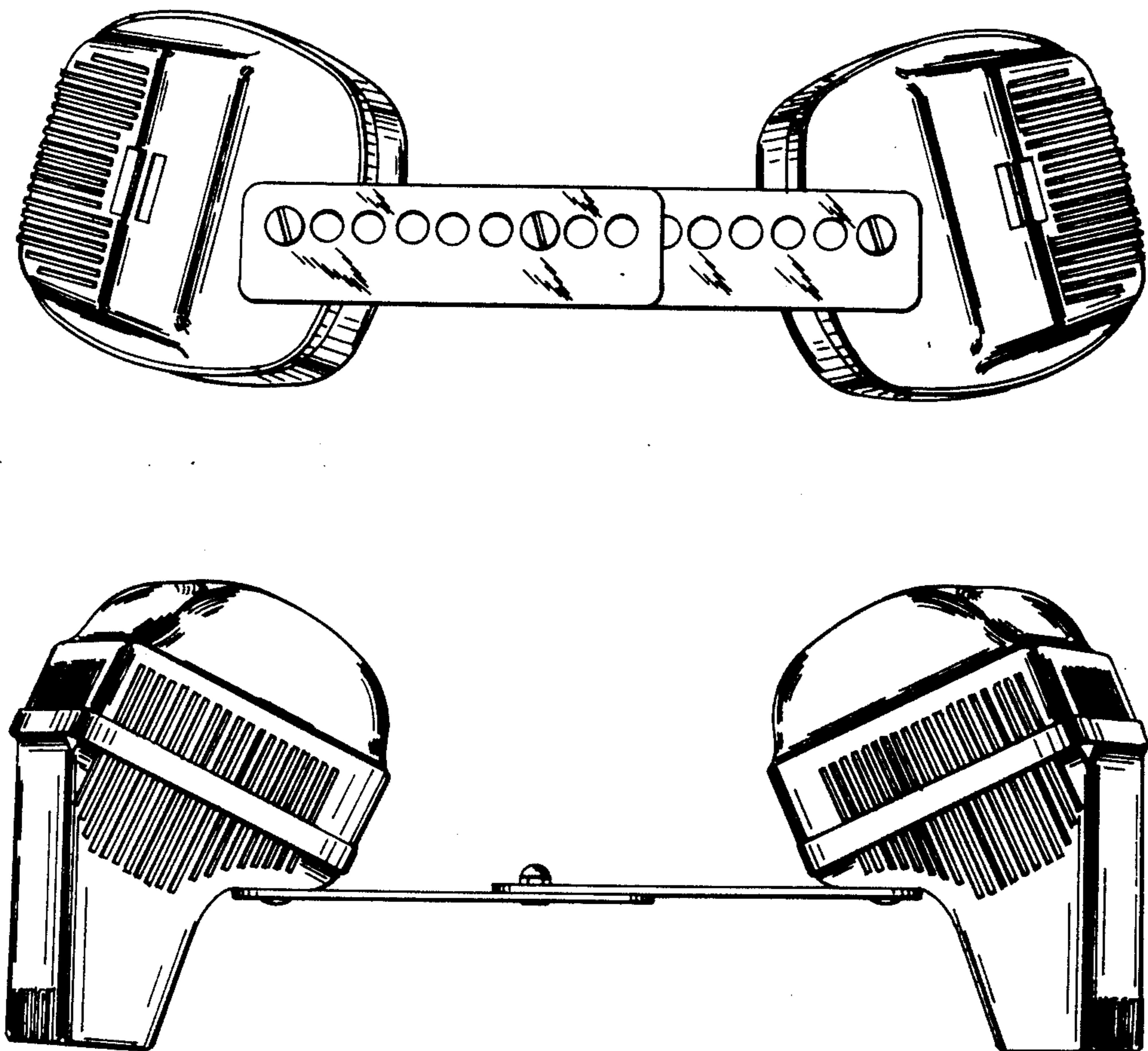
Assistant Examiner—James M. Gandy
Attorney, Agent, or Firm—Seymour A. Scholnick

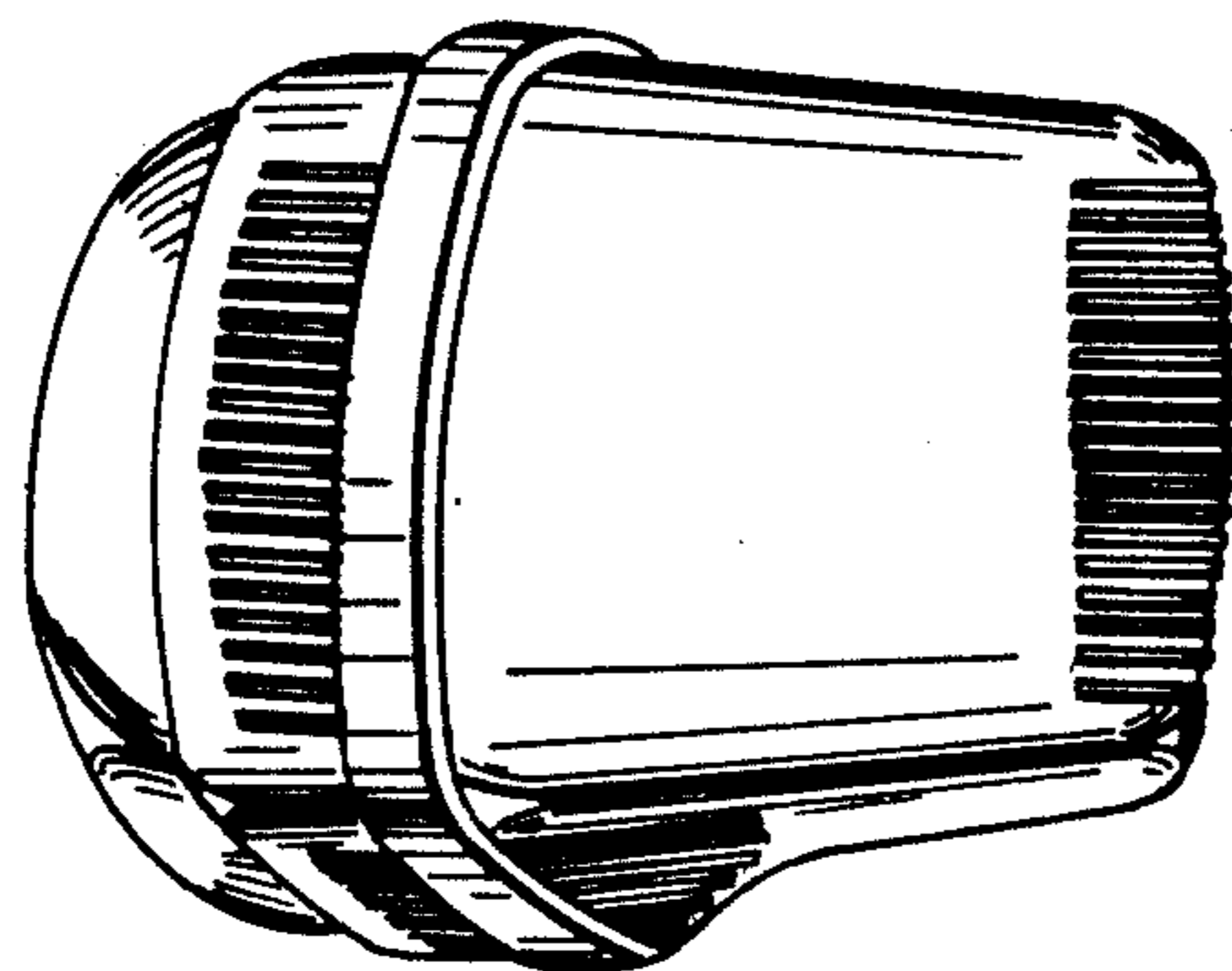
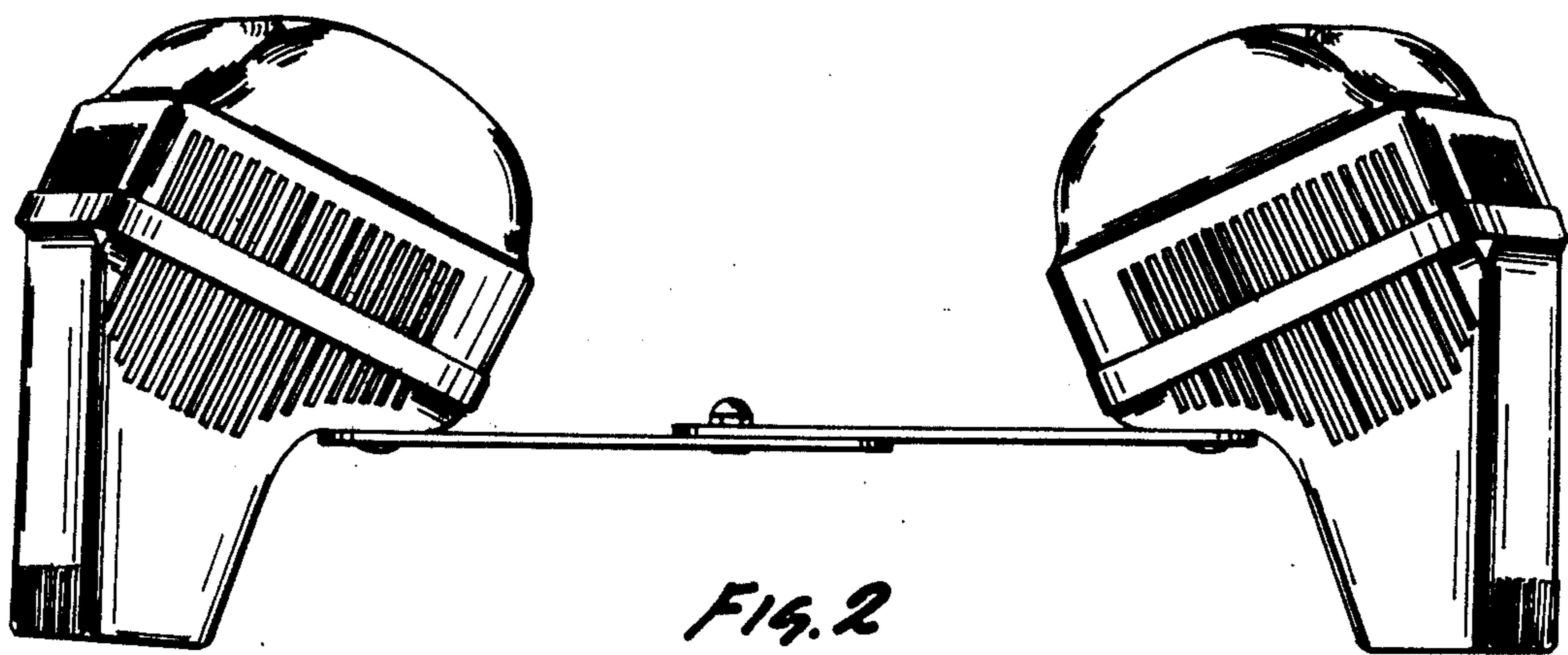
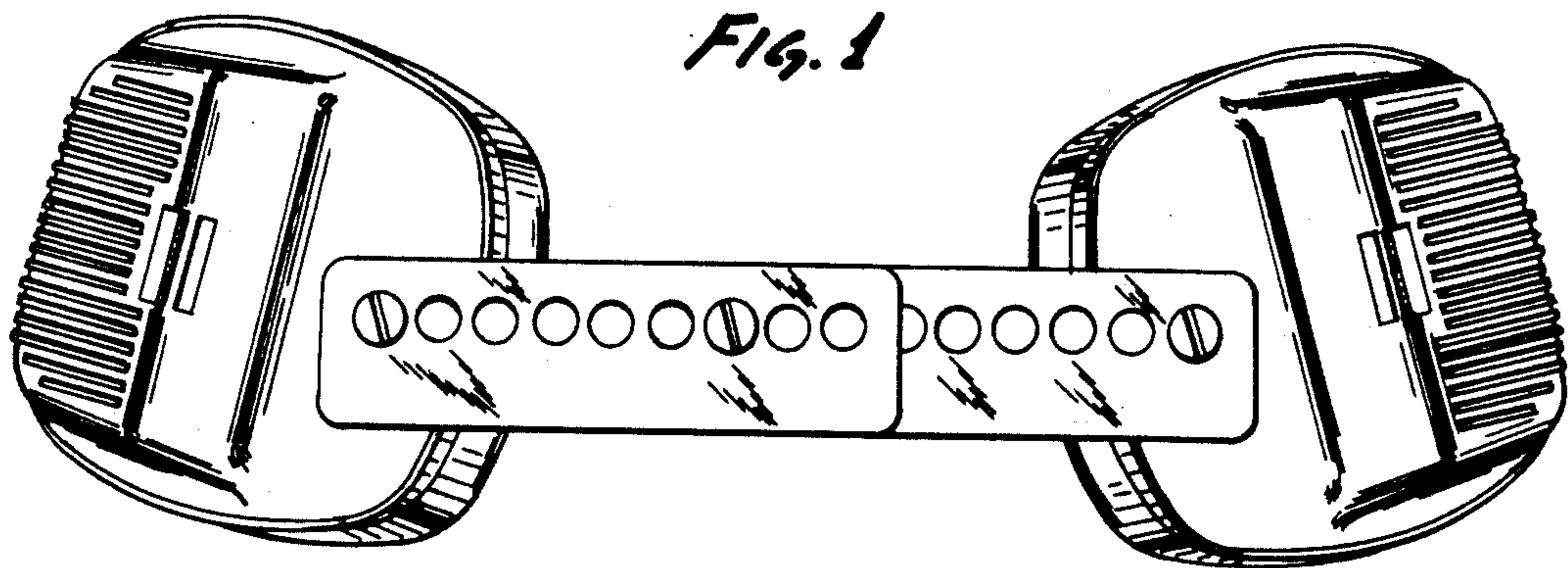
[57] CLAIM

The ornamental design for a stereo speaker unit, substantially as shown.

DESCRIPTION

FIG. 1 is a front elevational view of a stereo speaker unit showing my new design;
FIG. 2 is a top plan view thereof;
FIG. 3 is a left side elevational view thereof;
FIG. 4 is a rear elevational view thereof;
FIG. 5 is a bottom plan view thereof;
FIG. 6 is a right side elevational view thereof;
FIG. 7 is a front elevational view thereof with the speakers in an alternate position;
FIG. 8 is a front elevational view thereof with the speakers in another alternate position; and
FIG. 9 is a front elevational view thereof with the speakers in still another alternate position.





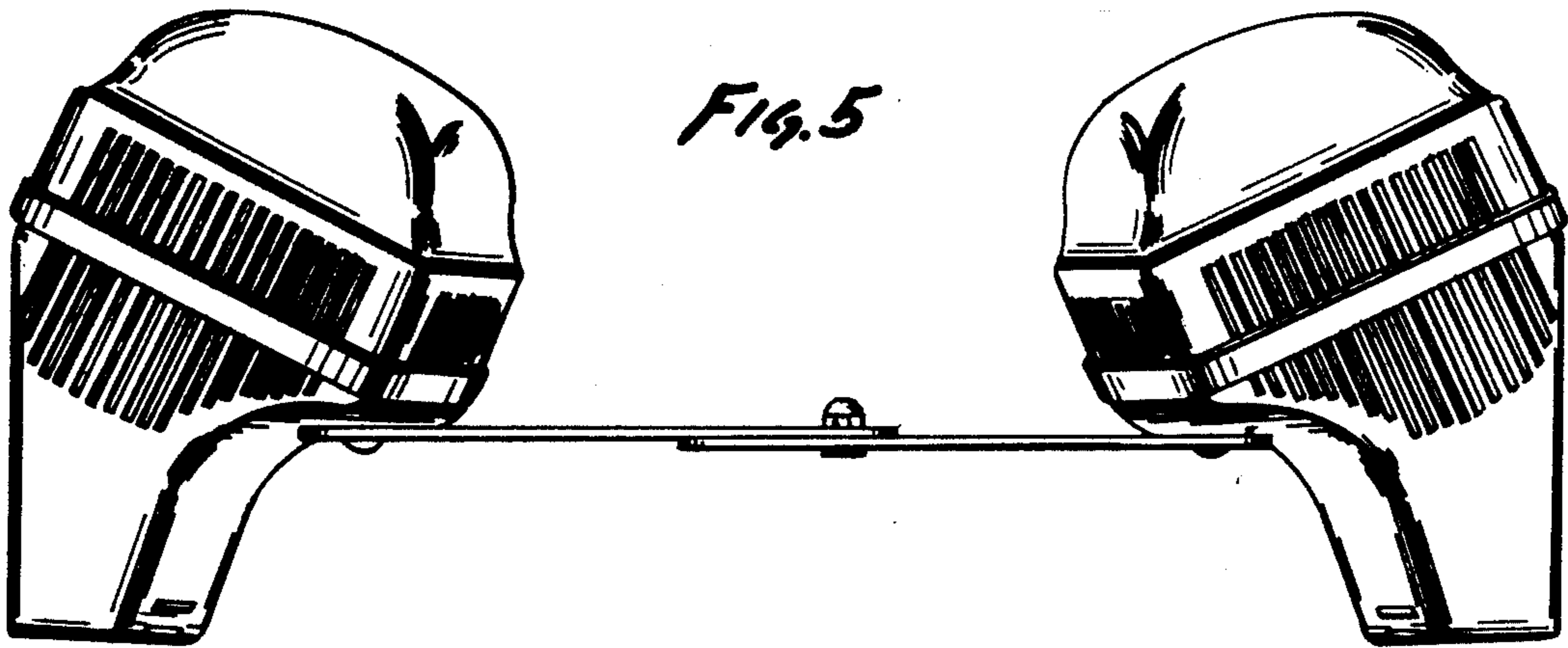
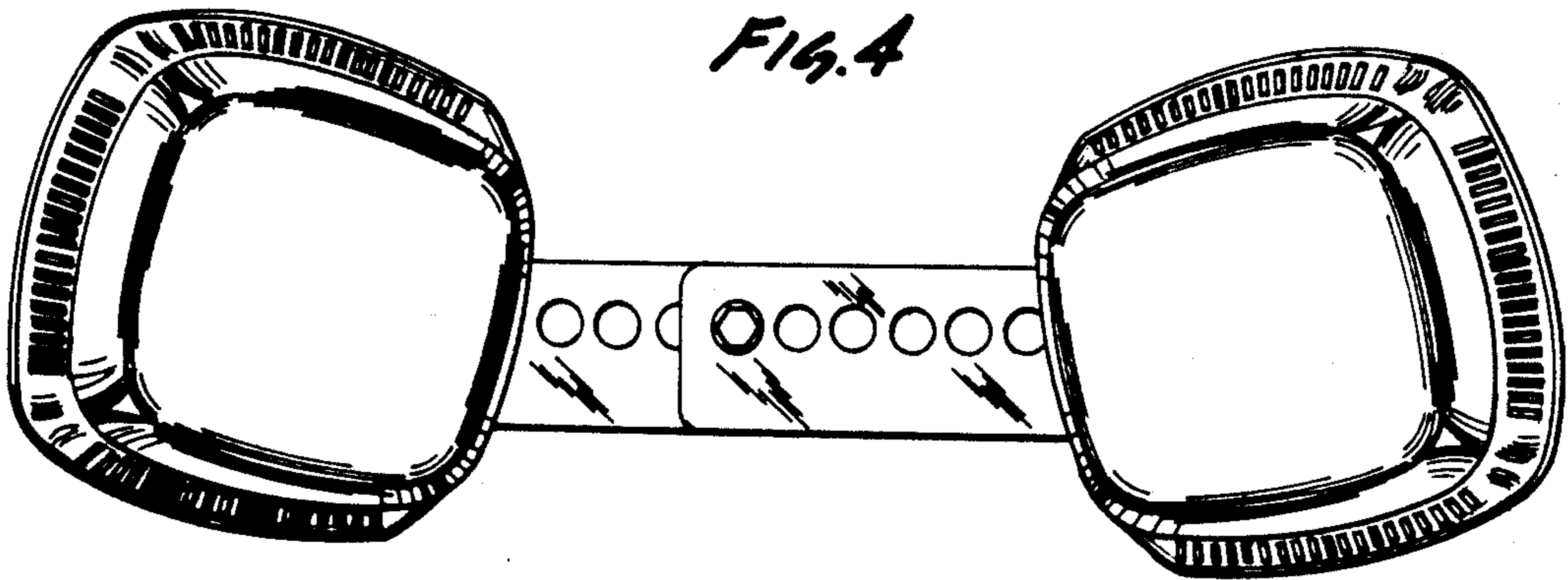


Fig. 6

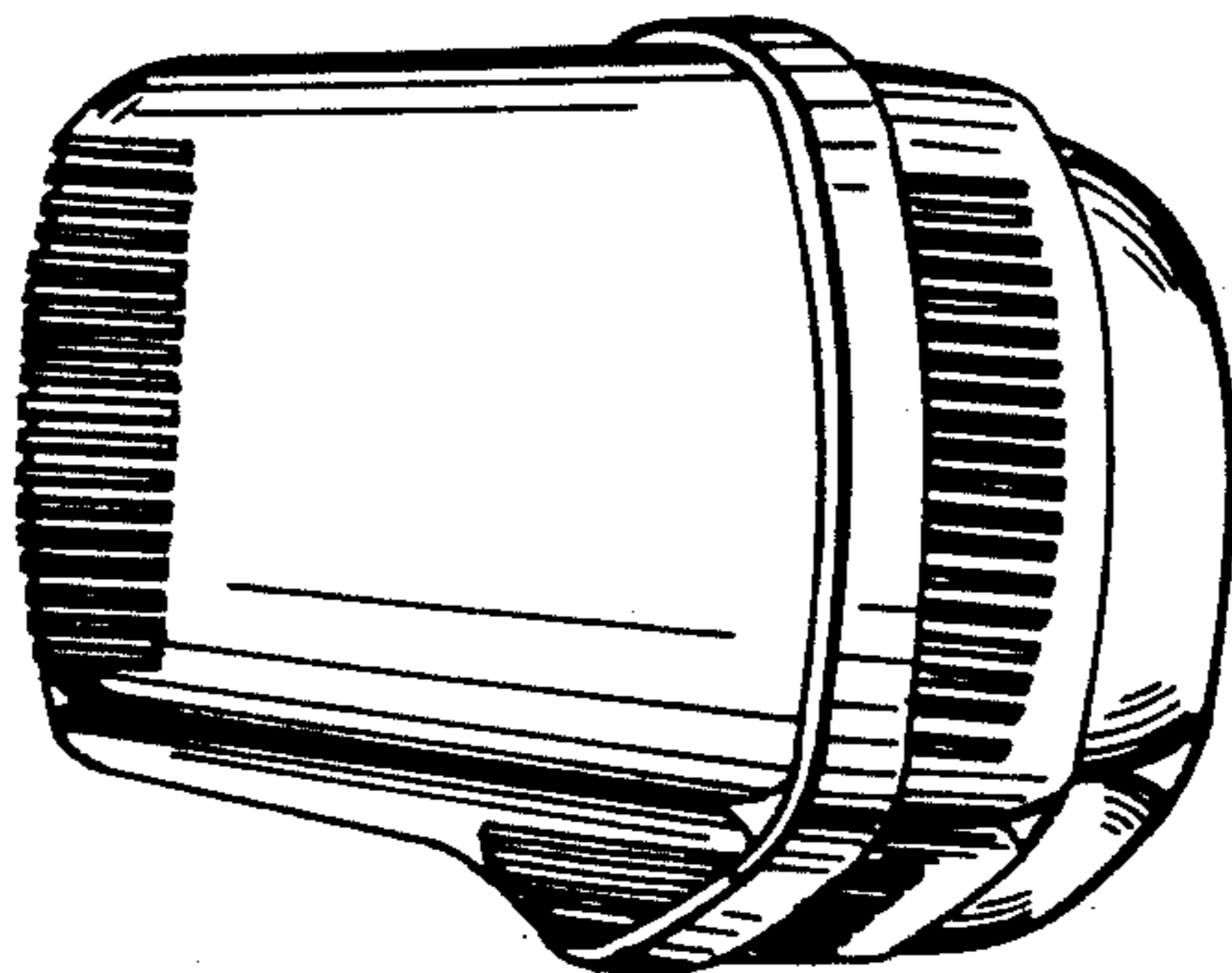


Fig. 7

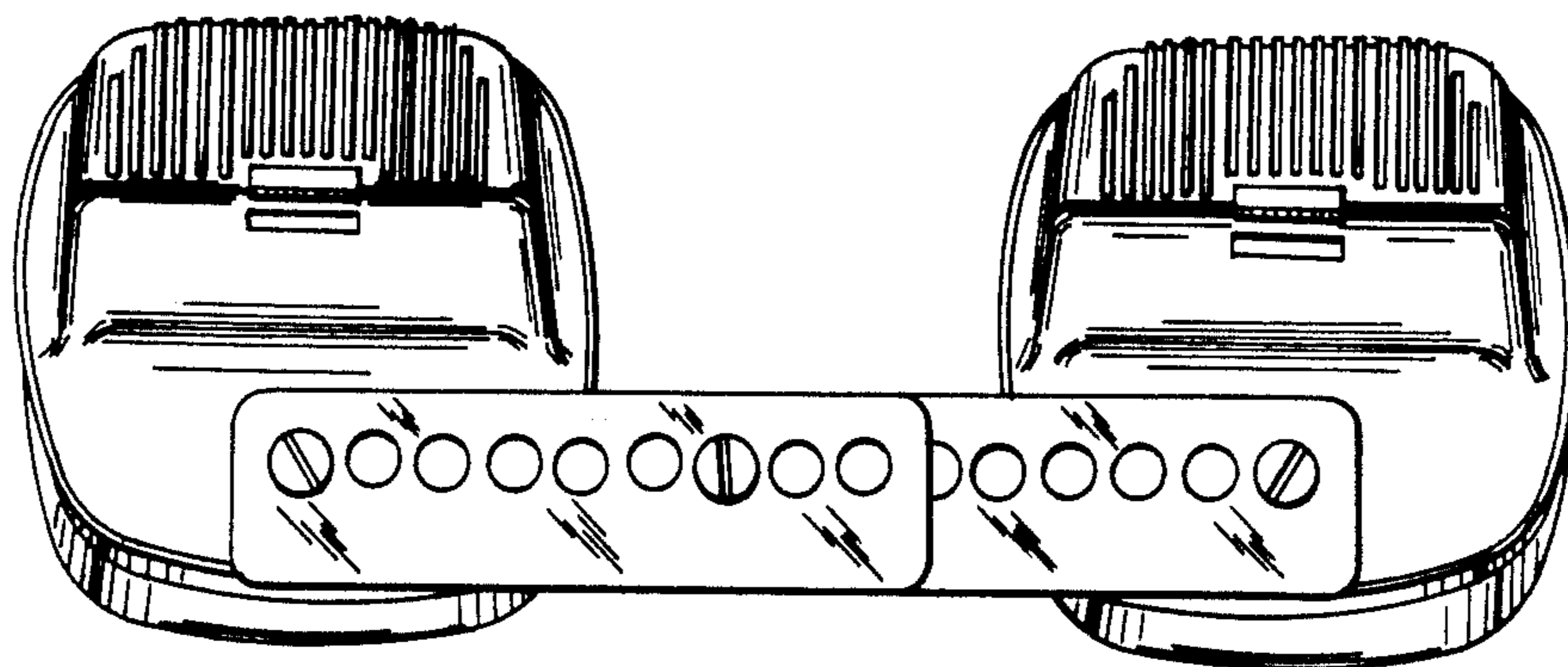


Fig. 8

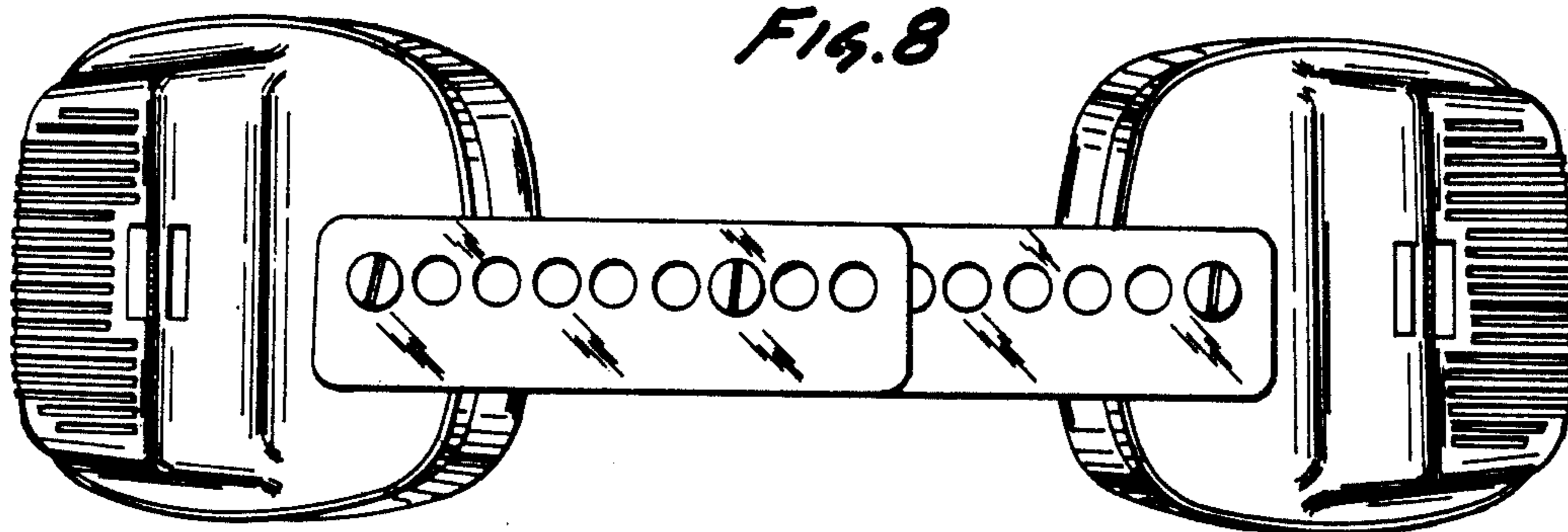


Fig. 9

