

[54] **DISPENSING CONTAINER**

[75] Inventor: **John A. Grip, Matawan, N.J.**

[73] Assignee: **American Cyanamid Company, Stamford, Conn.**

[\*\*] Term: **14 Years**

[21] Appl. No.: **742,297**

[22] Filed: **Nov. 16, 1976**

[51] Int. Cl. .... **D9-01**

[52] U.S. Cl. .... **D9/44; D9/149**

[58] Field of Search ..... **D9/38, 44, 45, 49, 116, D9/117, 149, 150, 10, 127-129, 168, 169**

[56] **References Cited**

**U.S. PATENT DOCUMENTS**

D. 223,335 4/1972 Donoghue ..... D9/10  
D. 237,463 11/1975 Kretz ..... D9/149

D. 240,711 7/1976 Angleman et al. .... D9/10  
D. 241,817 10/1976 Campbell et al. .... D9/44

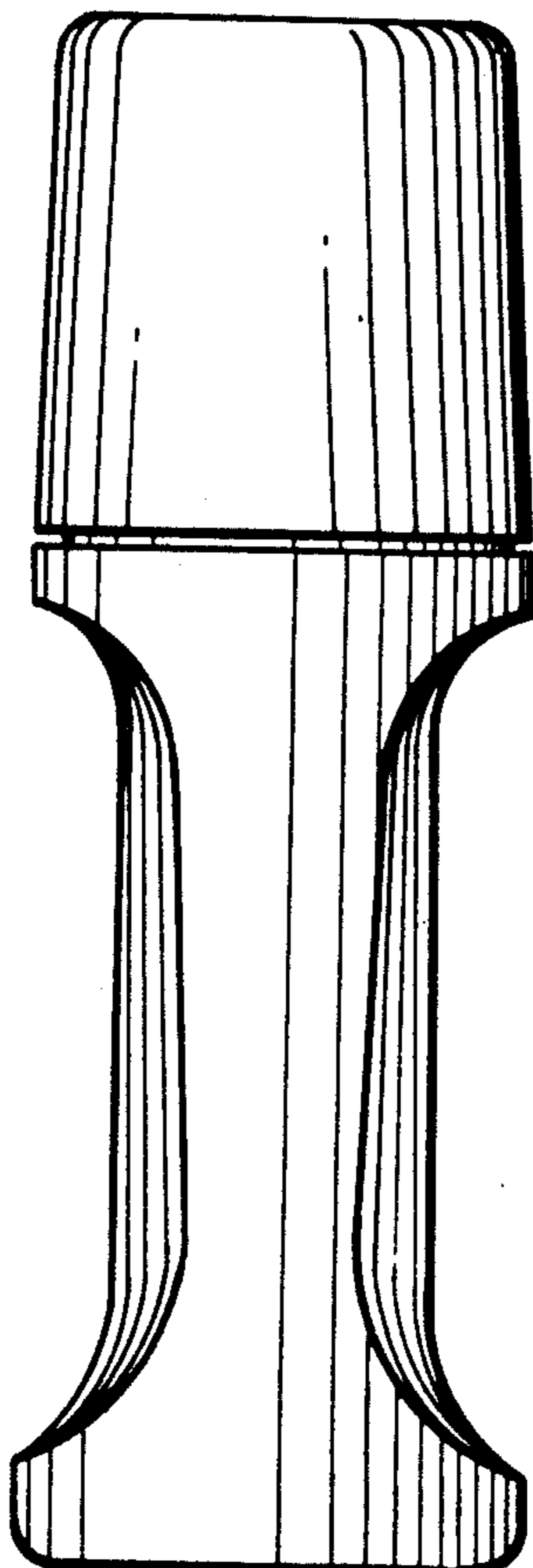
*Primary Examiner*—Robert C. Spangler  
*Attorney, Agent, or Firm*—Charles J. Fickey

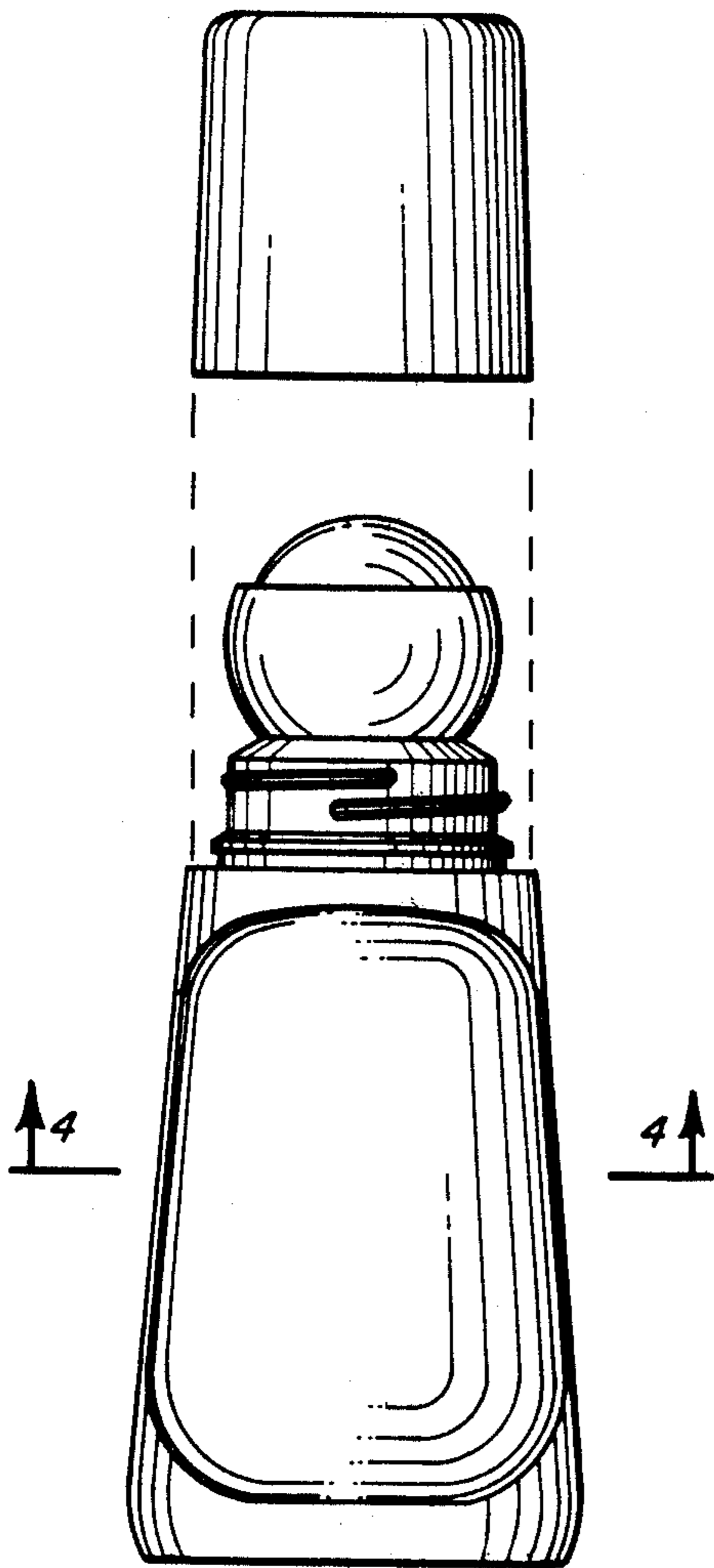
[57] **CLAIM**

The ornamental design for a dispensing container, as shown and described.

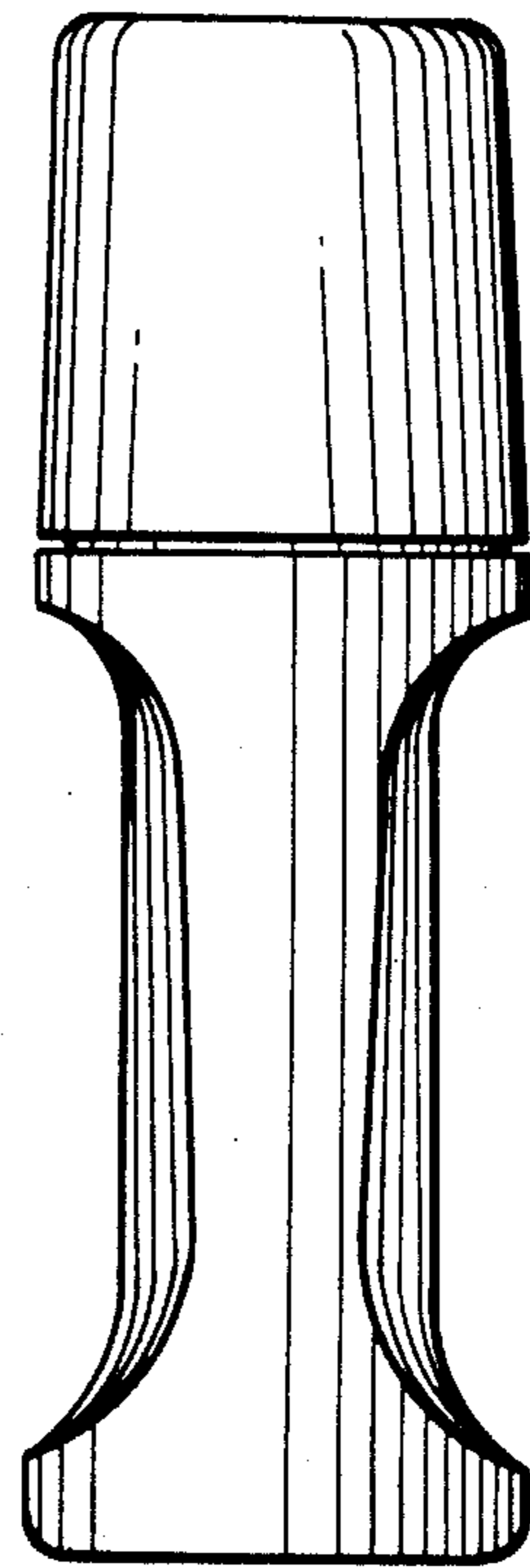
**DESCRIPTION**

FIG. 1 is an exploded elevational view of a dispensing container showing my new design, the opposite side being substantially the same in appearance;  
FIG. 2 is an elevational view looking from the right of FIG. 2 with the closure in place, the opposite side being the same in appearance;  
FIG. 3 is a bottom plan view;  
FIG. 4 is a fragmentary cross-sectional view taken on line 4-4 of FIG. 1; and  
FIG. 5 is a top plan view thereof.

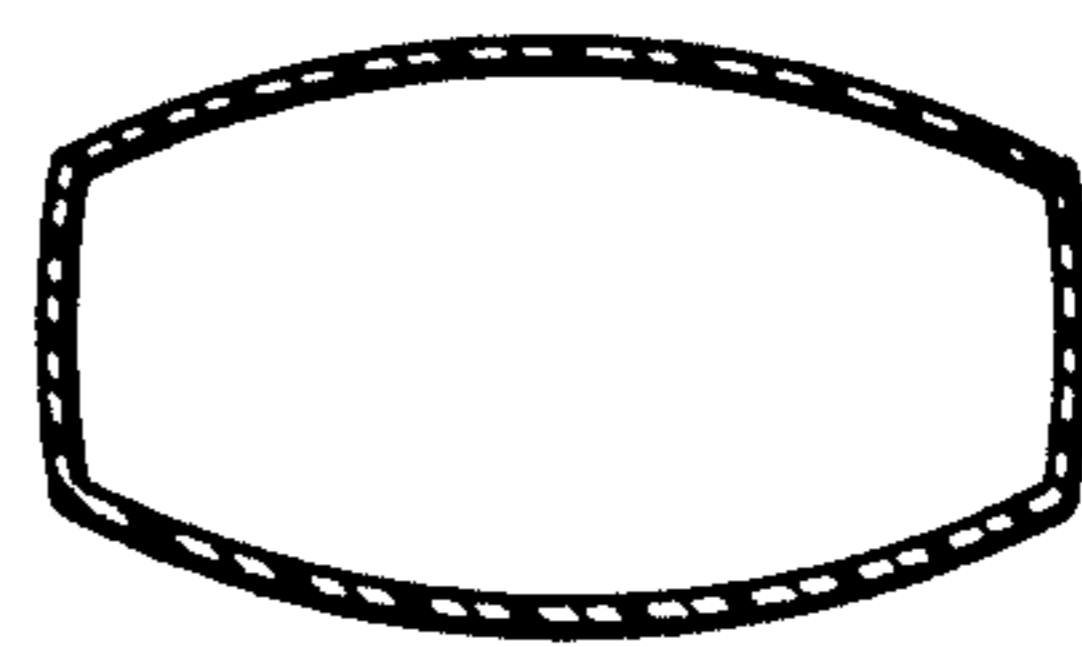




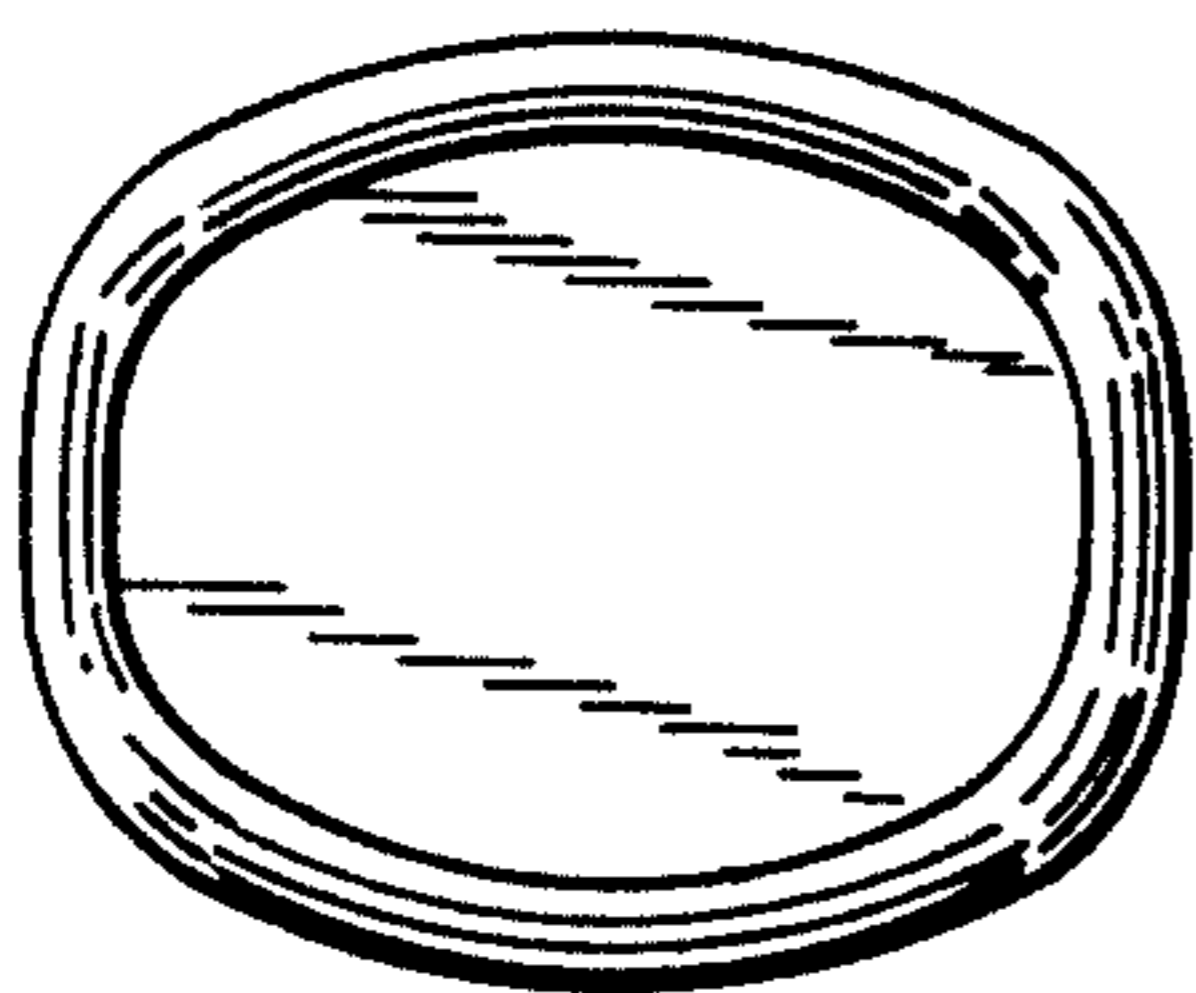
*FIG. 1*



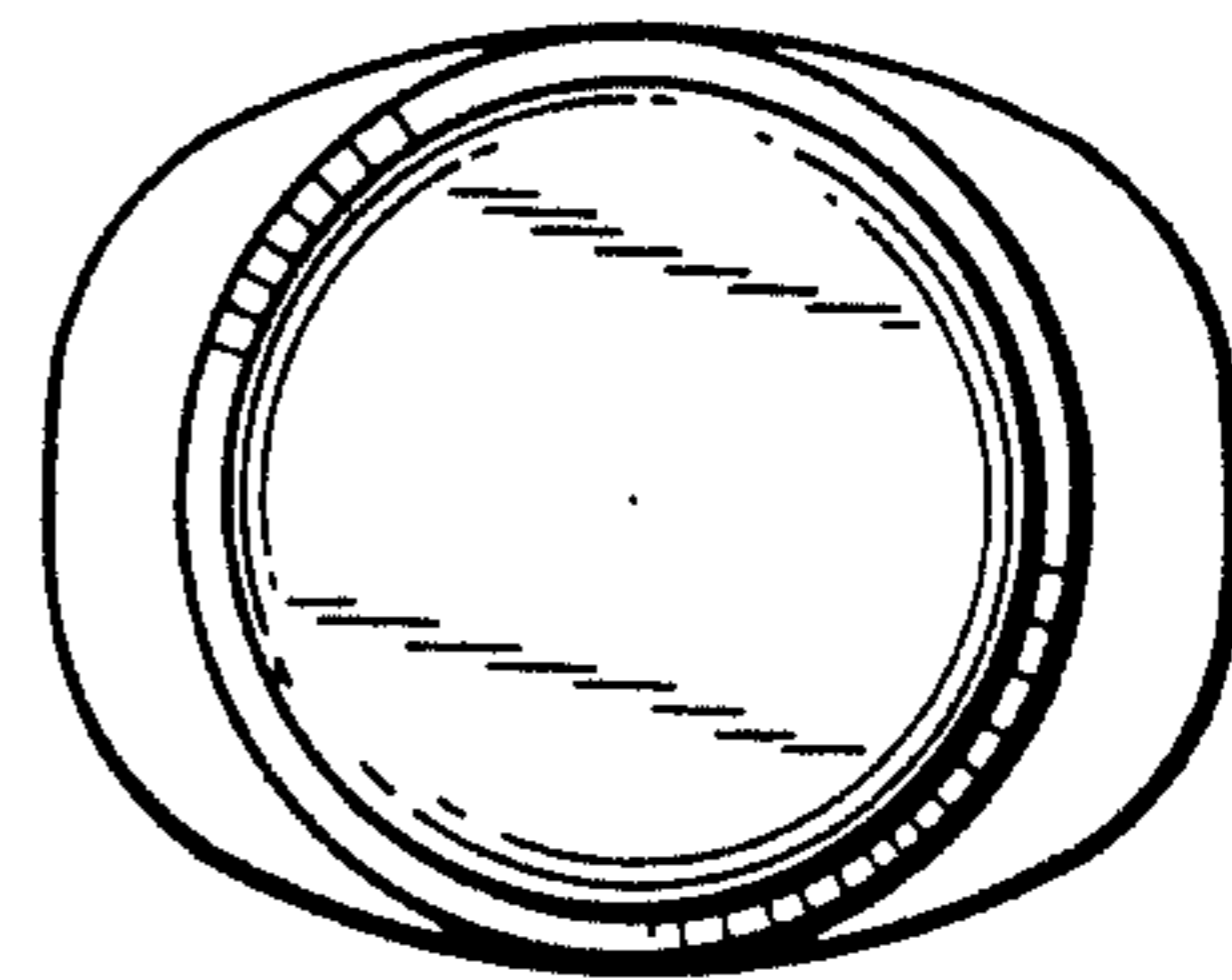
*FIG. 2*



*FIG. 4*



*FIG. 3*



*FIG. 5*