

[54] **MOP HEAD**

[75] **Inventor:** Richard H. Bebb, Wilmslow, England

[73] **Assignee:** Imperial Chemical Industries Limited, London, England

[**] **Term:** 14 Years

[21] **Appl. No.:** 723,899

[22] **Filed:** Sep. 16, 1976

[30] **Foreign Application Priority Data**

Mar. 24, 1976 [GB] United Kingdom 975047/76

[51] **Int. Cl.** D7-05

[52] **U.S. Cl.** D7/178

[58] **Field of Search** D7/178, 179, 180; 15/147, 149, 151, 152

[56] **References Cited**

U.S. PATENT DOCUMENTS

D. 205,500 8/1966 Dietel et al. D7/180

Primary Examiner—Wallace R. Burke

Assistant Examiner—Catherine Kemper

[57] **CLAIM**

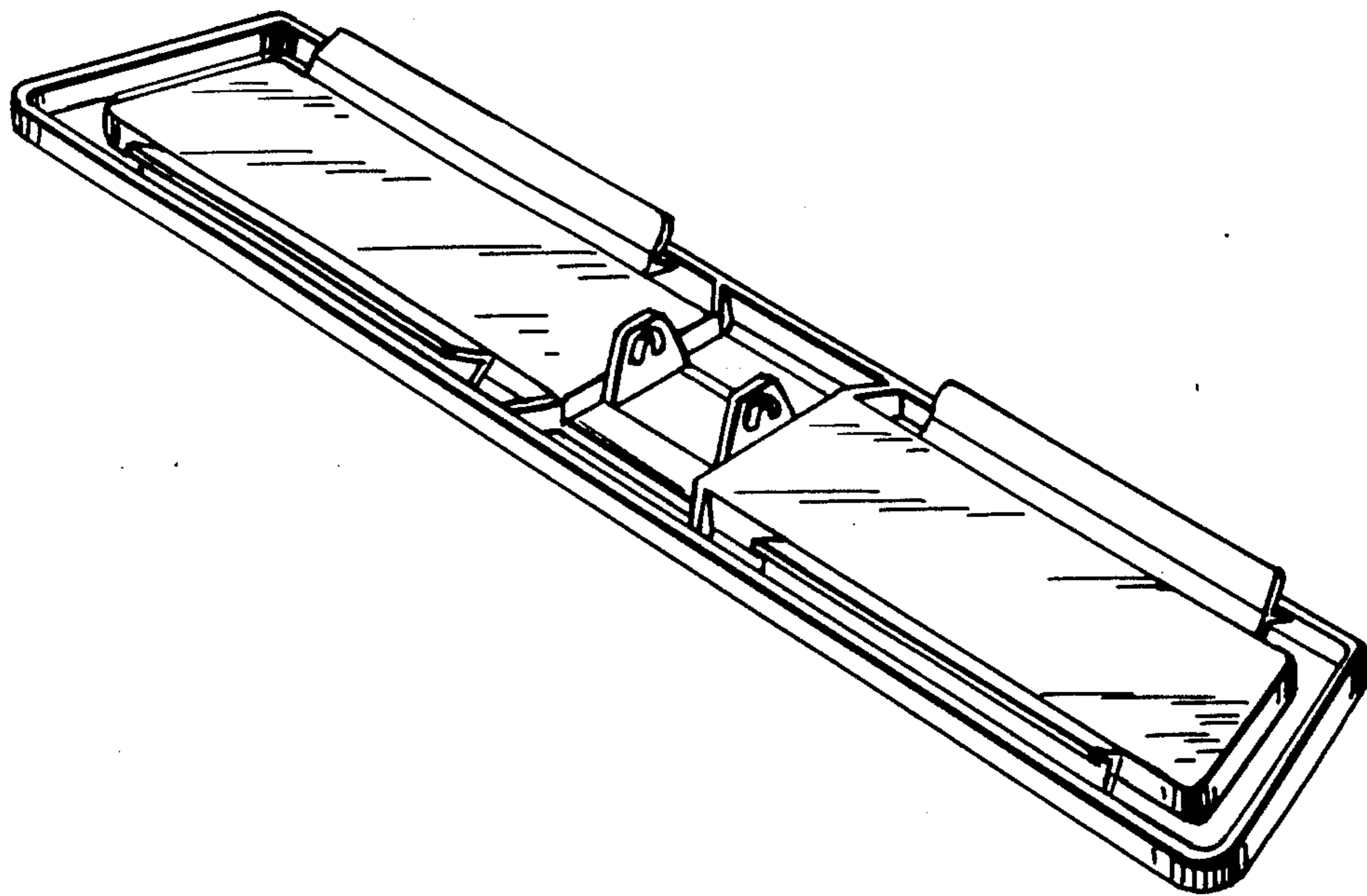
The ornamental design for a mop head, as shown.

DESCRIPTION

FIG. 1 is a top plan view of a mop head showing my new design.

FIG. 2 is a top perspective view thereof; and

FIG. 3 is a bottom perspective view thereof.



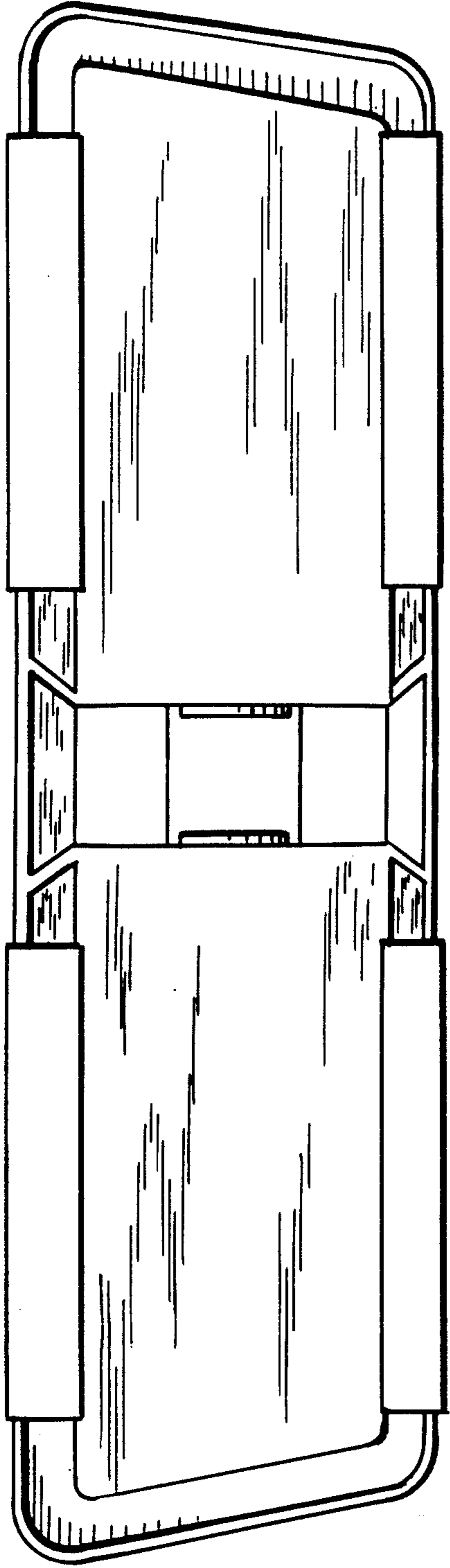


Fig. 1.

Fig. 2.

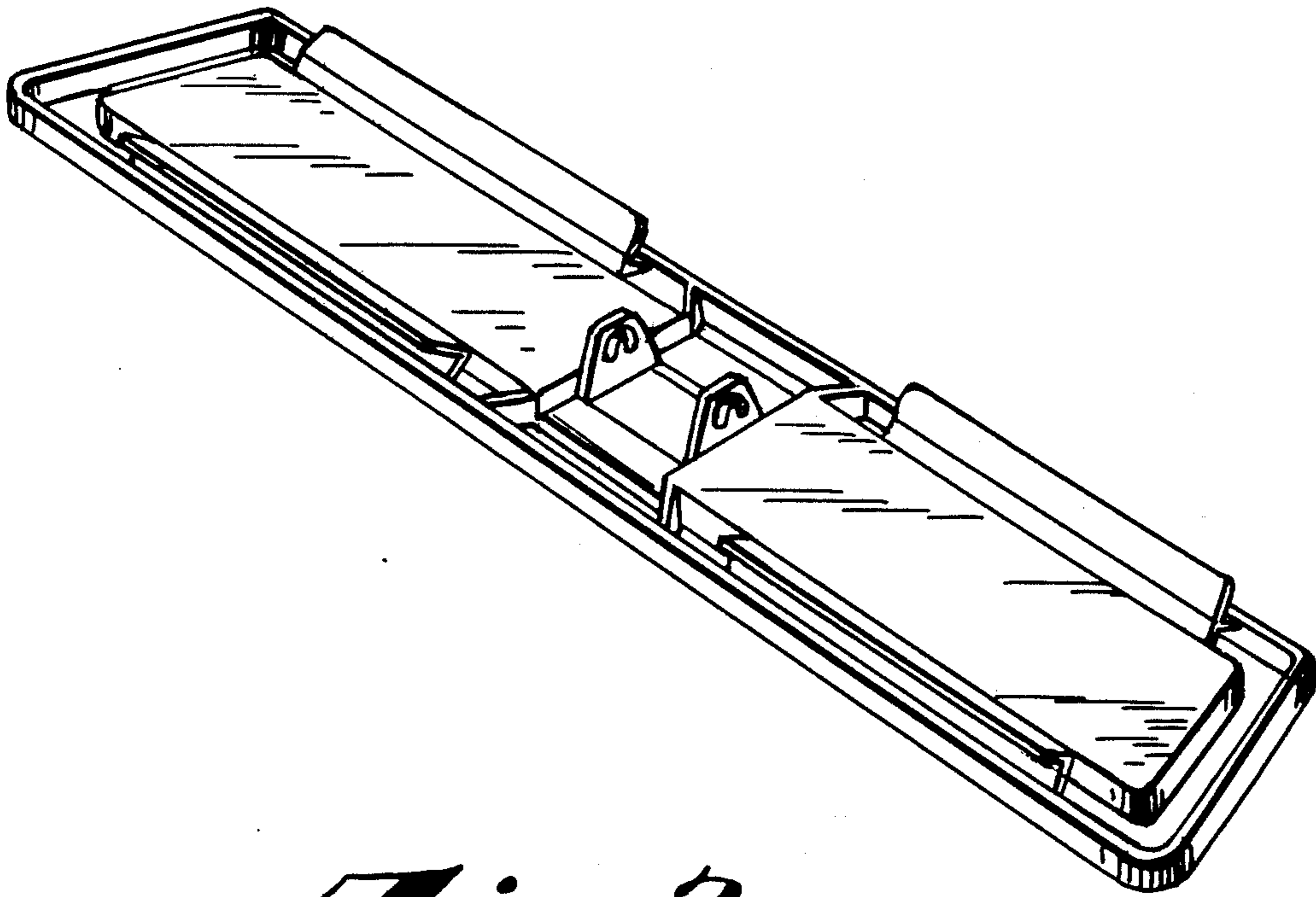


Fig. 3.

