

[54] **COMBINED LIQUID FOOD SEPARATOR AND DISPENSER WITH ATTACHABLE STRAINER**

611,275 9/1898 Rector 210/513 X
 2,690,080 9/1954 Rich D7/50 X
 3,248,016 4/1966 Dahl et al. D7/47 X

[75] Inventor: **Angelo Antolino, Pelham Manor, N.Y.**

Primary Examiner—Winifred E. Herrmann
Attorney, Agent, or Firm—Howard Natter

[73] Assignee: **New Colony Inventions, Inc., Mount Vernon, N.Y.**

[57] **CLAIM**

[**] Term: **14 Years**

The ornamental design for a combined liquid food separator and dispenser with attachable strainer, as shown and described.

[21] Appl. No.: **792,489**

DESCRIPTION

[22] Filed: **Apr. 29, 1977**

[51] Int. Cl. **D7-04**

[52] U.S. Cl. **D7/64; D7/47; D7/65**

[58] Field of Search **D7/51, 50, 68, 47, 59, D7/60, 61, 63, 64, 65, 70; 210/513**

FIG. 1 is a side elevational view of a combined liquid food separator and dispenser with attachable strainer showing my new design;
 FIG. 2 is a front elevational view thereof;
 FIG. 3 is a rear elevational view;
 FIG. 4 is a top plan view thereof;
 FIG. 5 is a bottom plan view thereof;
 FIG. 6 is a top plan view thereof with the strainer removed; and
 FIG. 7 is a bottom plan view thereof with the strainer removed and the dispenser in an open position.
 The bottom surface of the strainer illustrated in FIG. 5 is correspondingly identical to the top surface of the strainer as shown in FIG. 4.

[56] **References Cited**

U.S. PATENT DOCUMENTS

D. 218,472	8/1970	Cousins et al.	D7/50
D. 238,648	2/1976	Jablecki	D7/68
D. 241,301	9/1976	Harris	D7/50
D. 243,500	3/1977	Cooper	D7/50

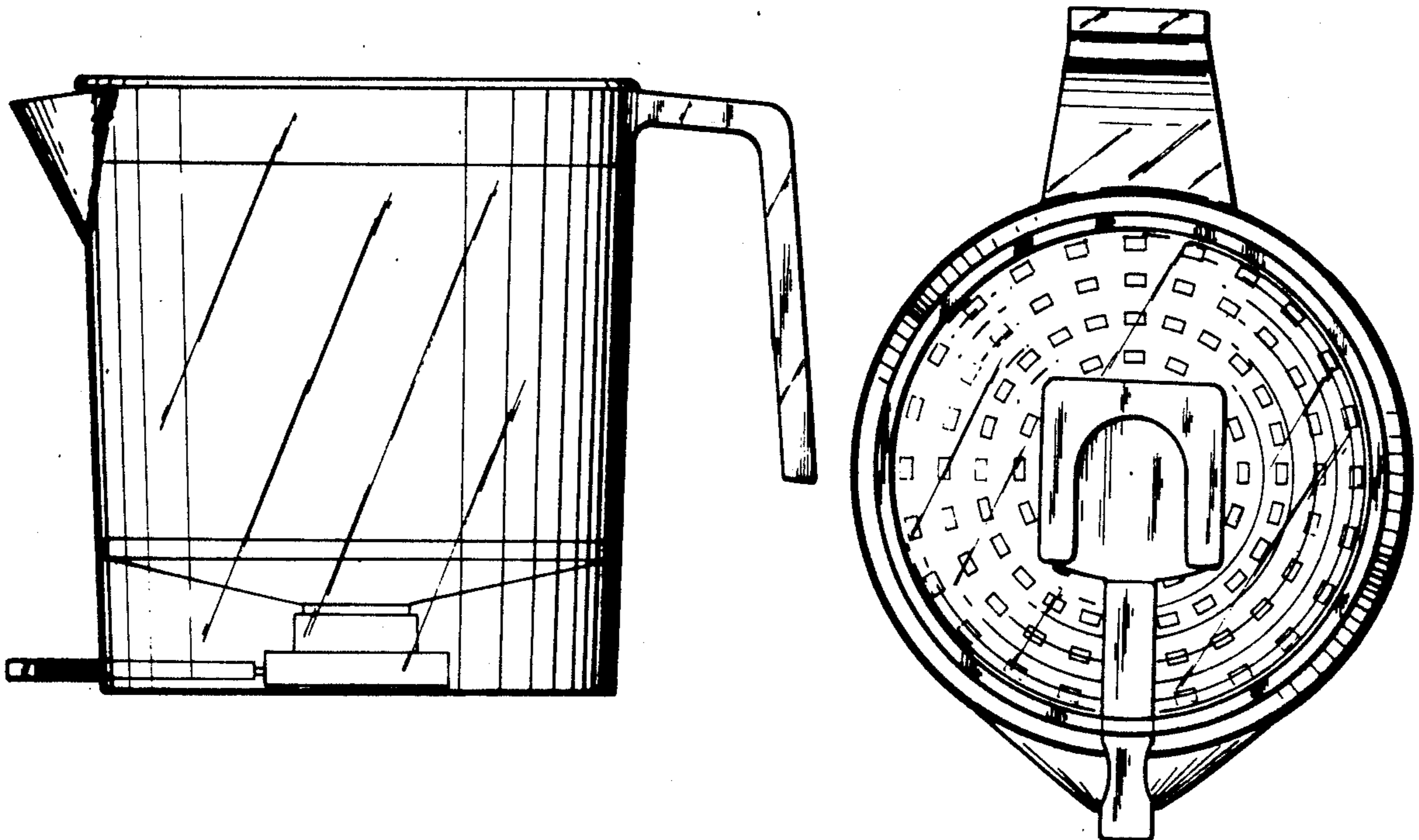


FIG. 1

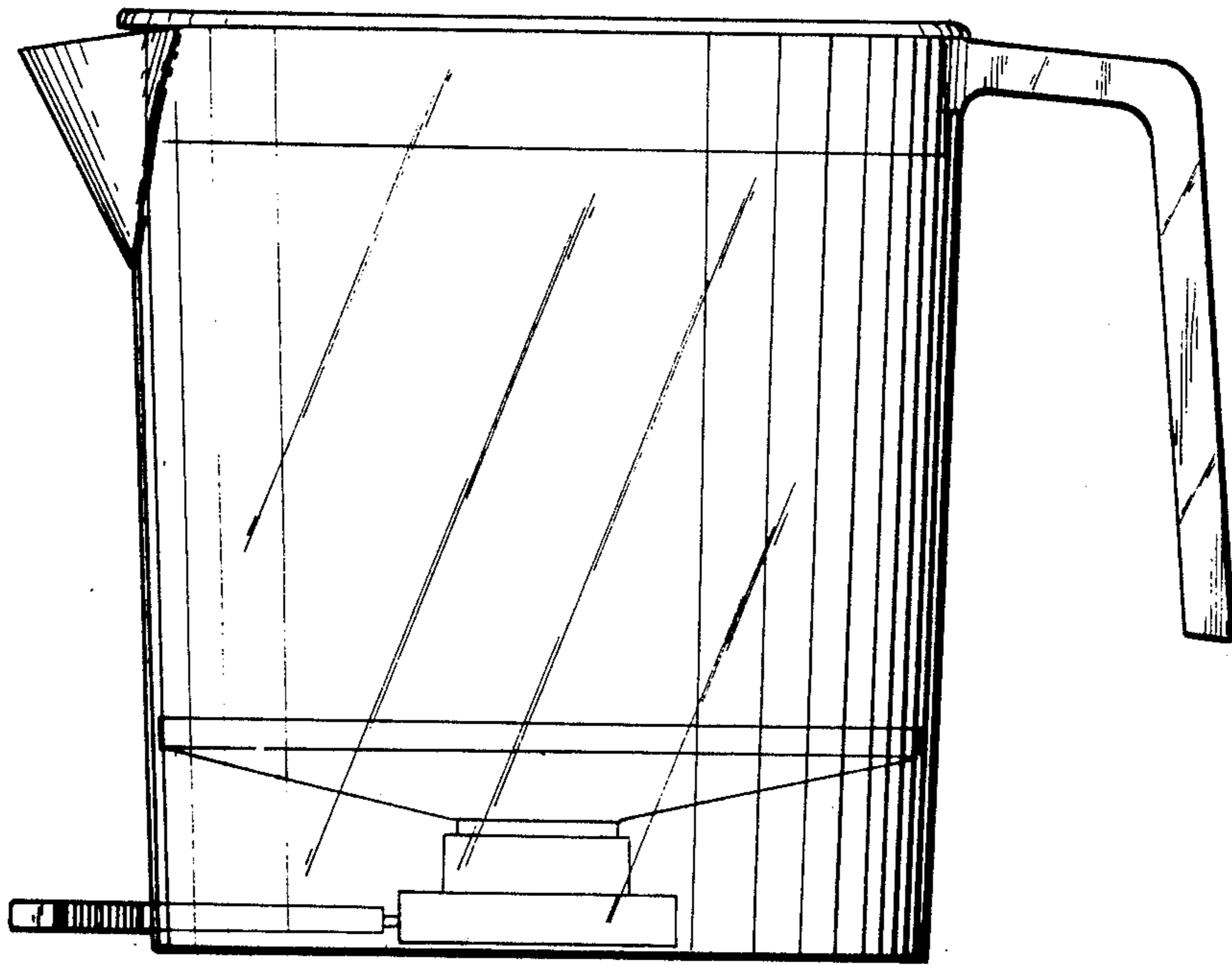


FIG. 4

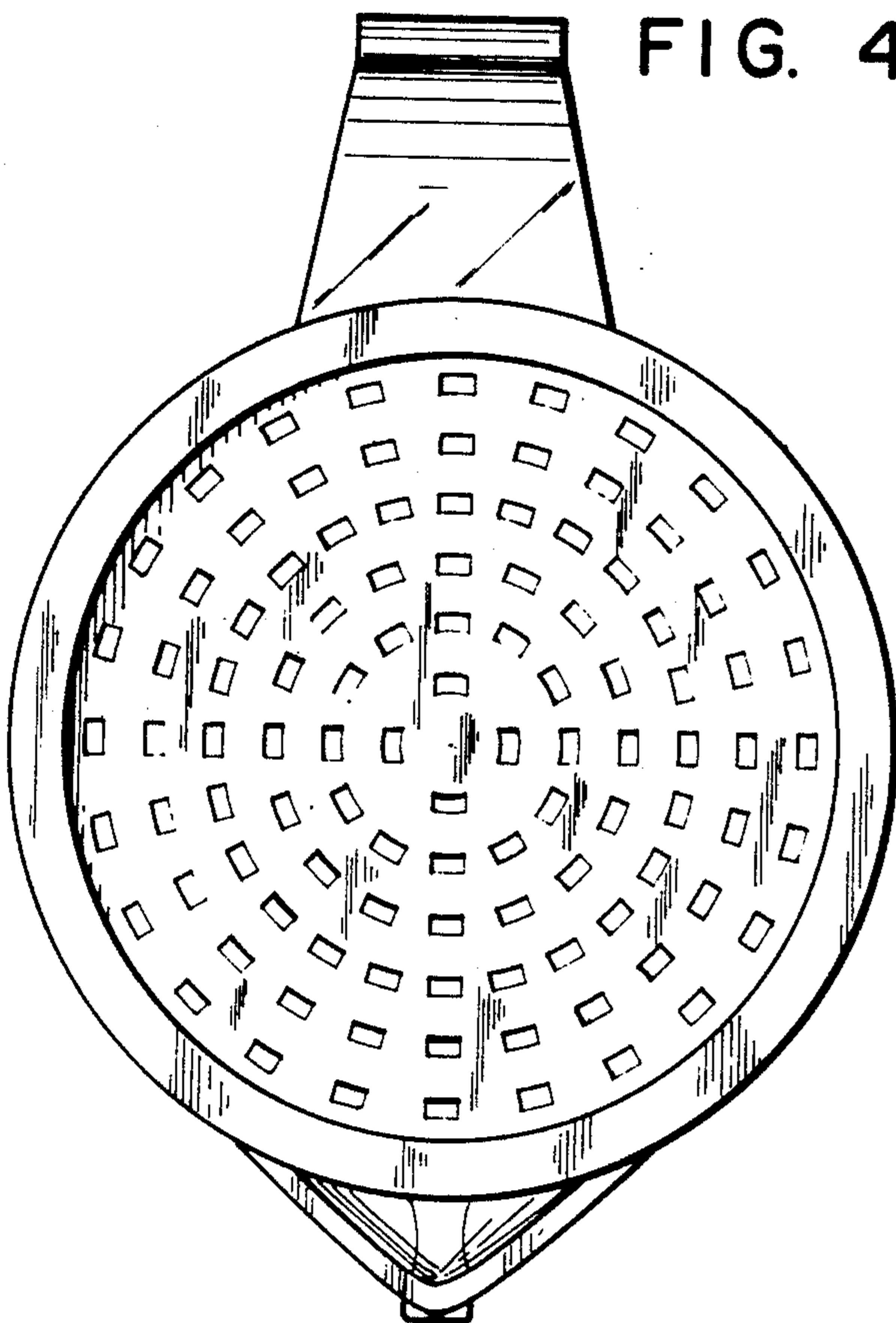


FIG. 5

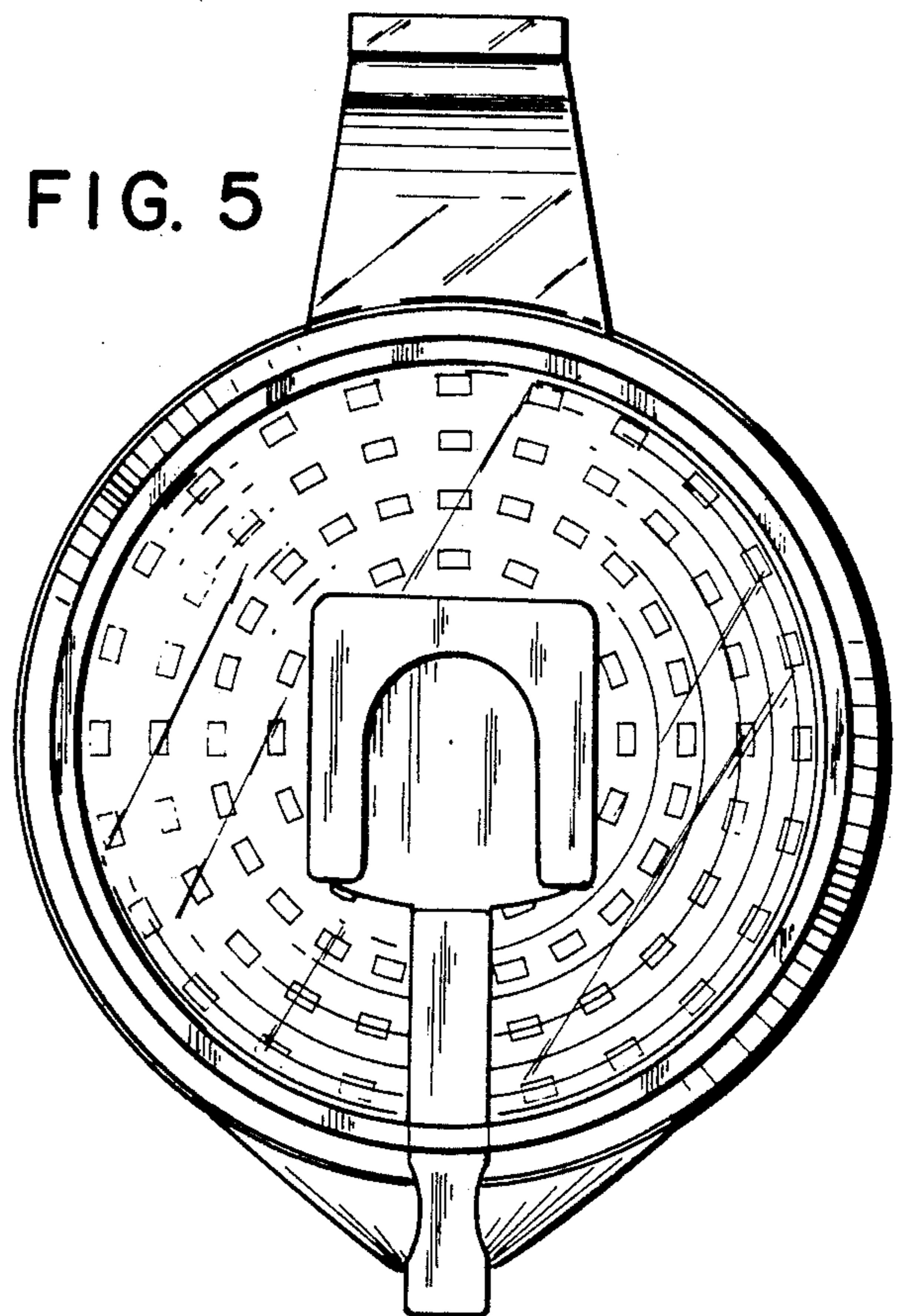


FIG. 2

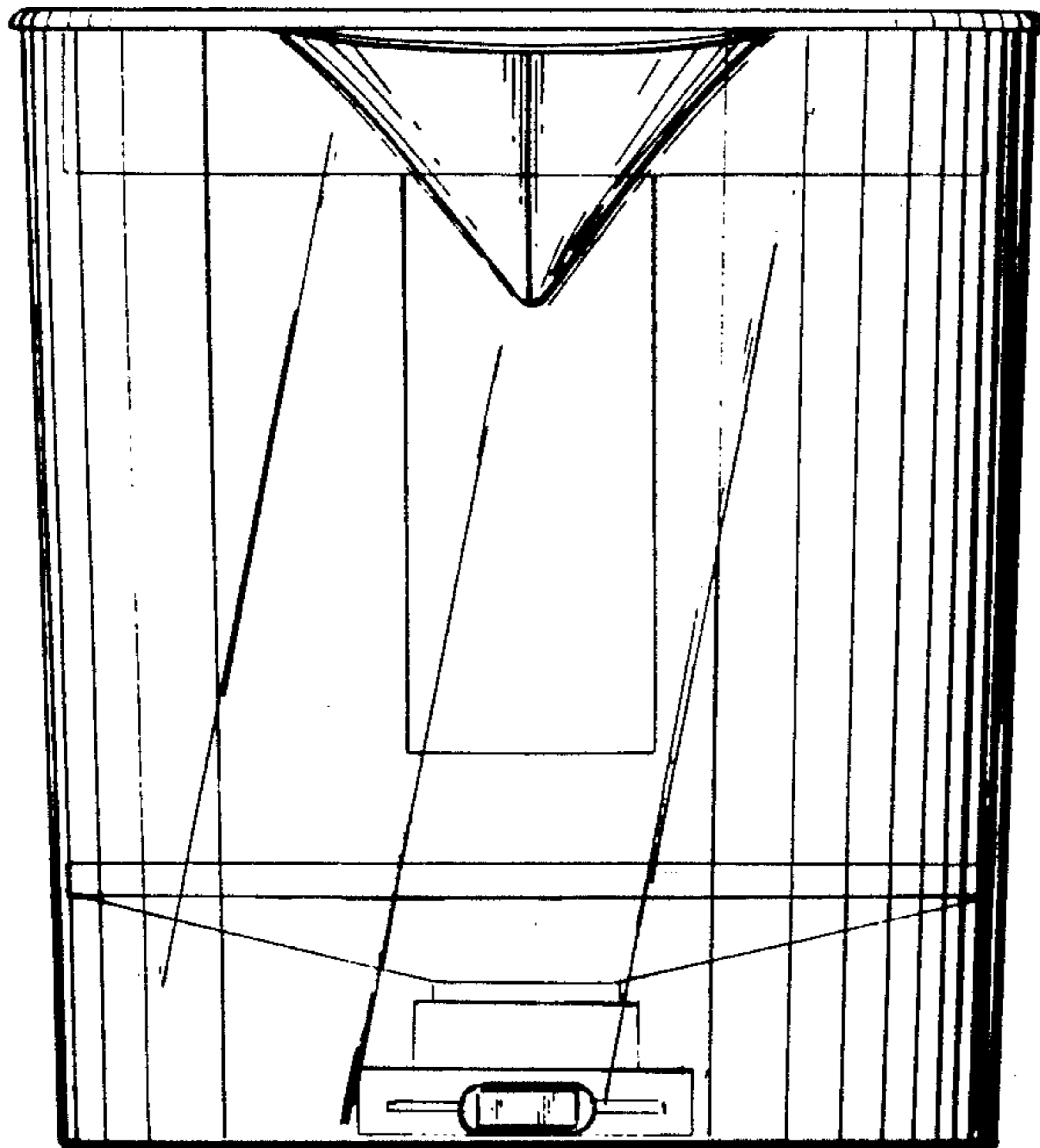


FIG. 3

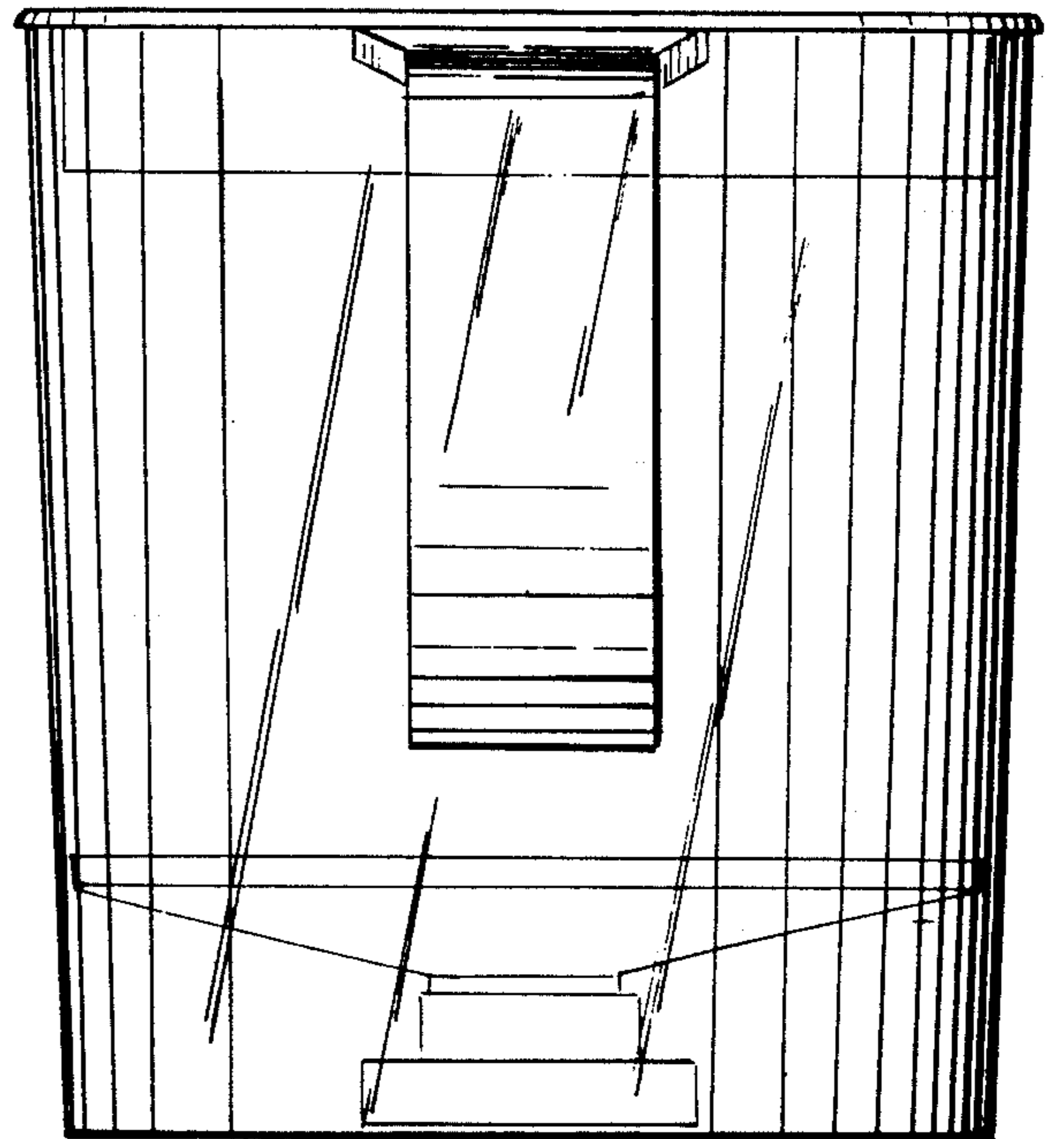


FIG. 6

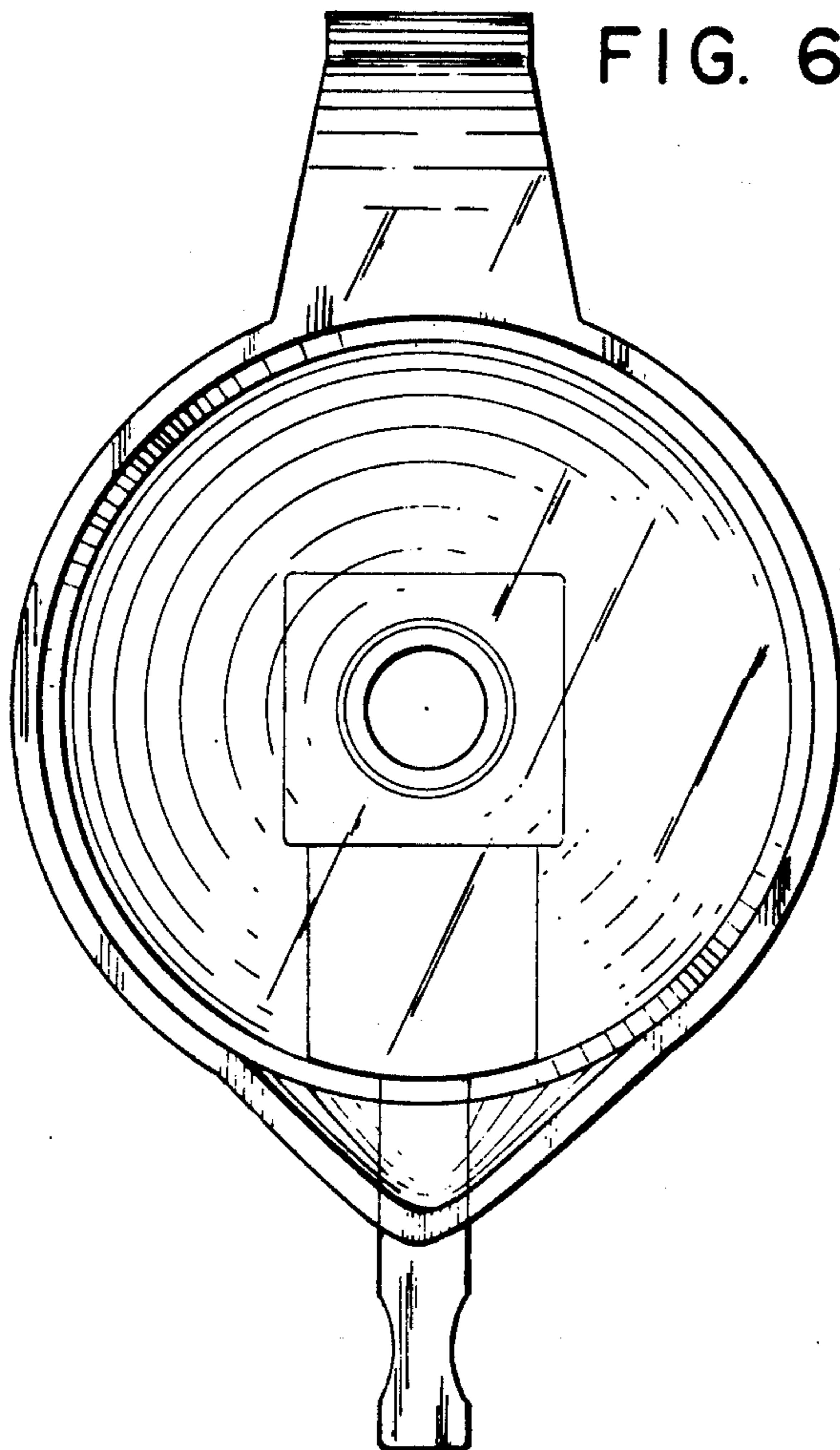


FIG. 7

