

[54] DISPLAY CABINET OR SIMILAR ARTICLE

[76] Inventor: Hubert L. Lambert, 3512 Arcadia St., Apt. A, Norfolk, Va. 23502

[**] Term: 14 Years

[21] Appl. No.: 790,049

[22] Filed: Apr. 22, 1977

[51] Int. Cl. D6-99

[52] U.S. Cl. D6/173; D6/161

[58] Field of Search D6/2, 7, 142, 156, 158-173, D6/177-179

[56] References Cited

U.S. PATENT DOCUMENTS

D. 161,956 2/1951 Newburger D6/173

D. 171,934	4/1954	Dobbins	D6/175
D. 195,446	6/1963	Goodrich et al.	D6/173
D. 215,943	11/1969	Grainer	D6/173
D. 227,726	7/1973	Sinclair	D6/175 X
D. 247,079	1/1978	Otema	D6/172

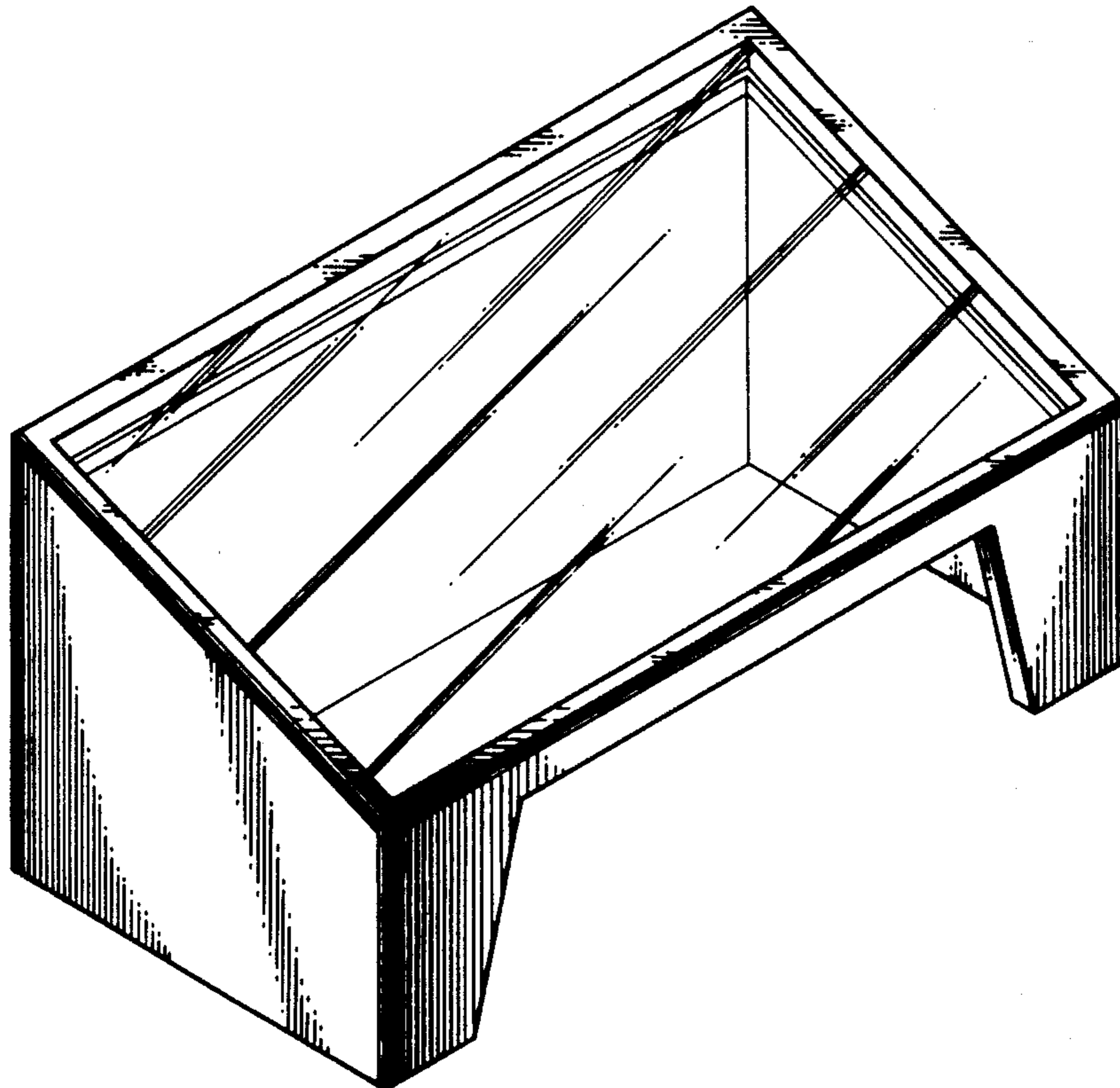
Primary Examiner—Bruce W. Dunkins
Attorney, Agent, or Firm—J. Maxwell Carson, Jr.

[57] CLAIM

The ornamental design for a display cabinet or similar article, as shown.

DESCRIPTION

FIG. 1 is a perspective view of a display cabinet or similar article embodying my new design showing the top, the front, and the right end thereof; and, FIG. 2 is another perspective view thereof showing the top, the rear, and the left end thereof.



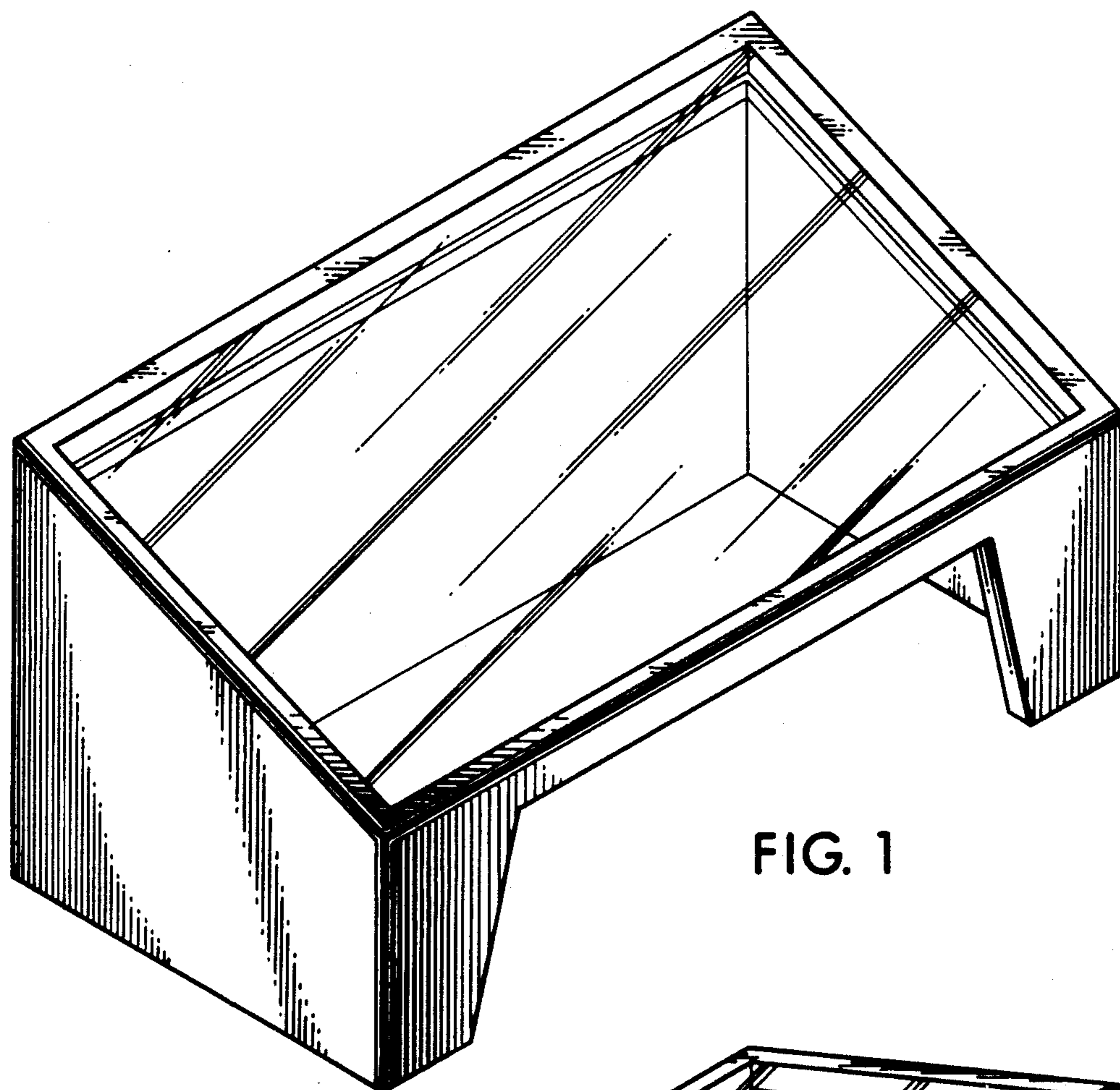


FIG. 1

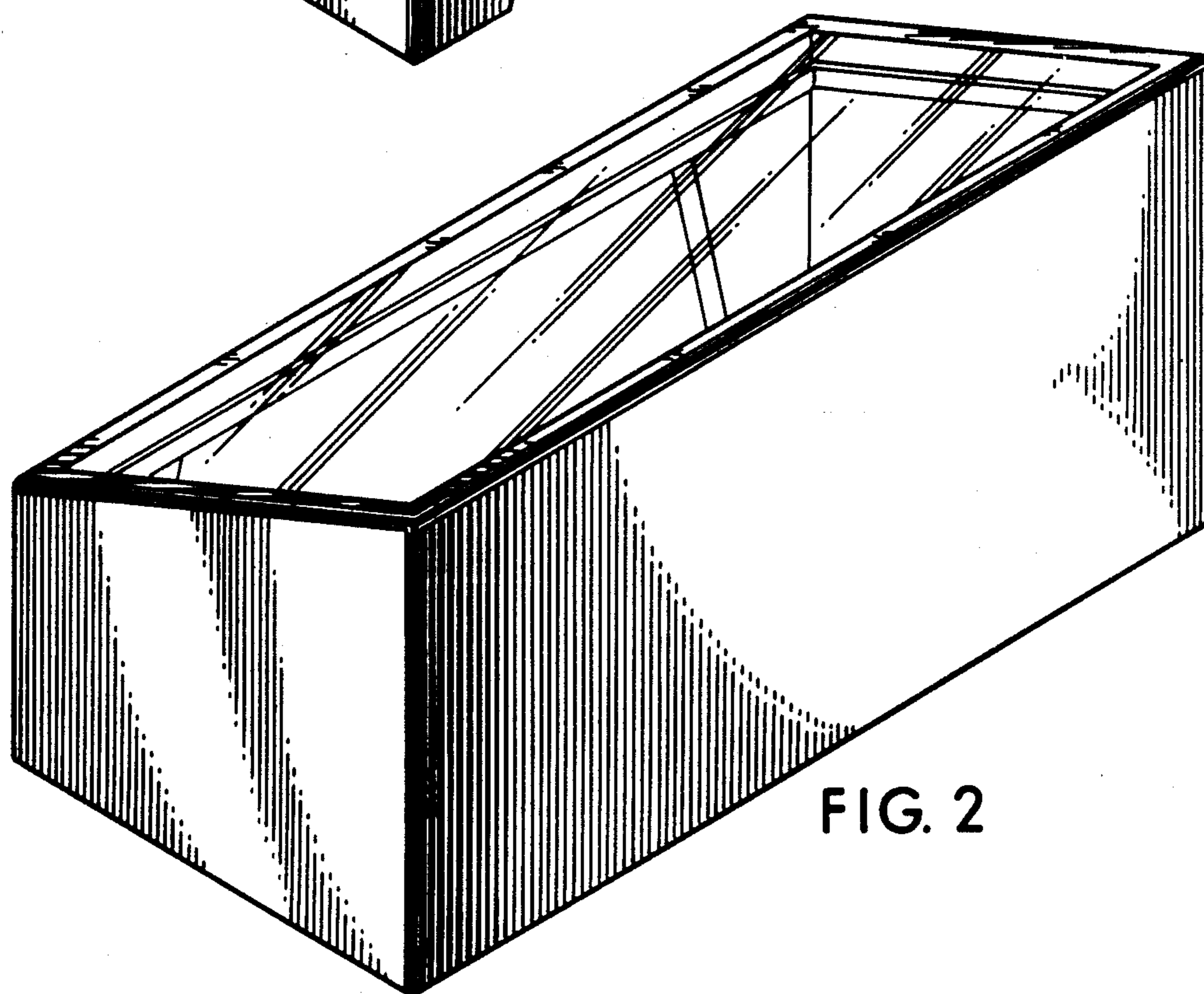


FIG. 2