

[54] COMBINED LOUNGE CHAIR,  
ADJUSTABLE TABLE AND ACCESSORY  
SHELF

D. 230,383 2/1974 Atkinson ..... D6/42  
D. 236,566 9/1975 Parchan ..... D6/64

[76] Inventor: Stine Kotula, 37 Arch St.,  
Greenwich, Conn. 06830

Primary Examiner—Bruce W. Dunkins  
Attorney, Agent, or Firm—Laforest S. Saulsbury

[\*\*] Term: 14 Years

[57] CLAIM

[21] Appl. No.: 747,819

The ornamental design for a combined lounge chair,  
adjustable table and accessory shelf, and shown and  
described.

[22] Filed: Dec. 6, 1976

DESCRIPTION

[51] Int. Cl. .... D6-05

[52] U.S. Cl. .... D6/42

[58] Field of Search ..... D6/20, 22, 26, 30, 31,  
D6/37-39, 47-78, 42, 44; 247/135, 137, 138

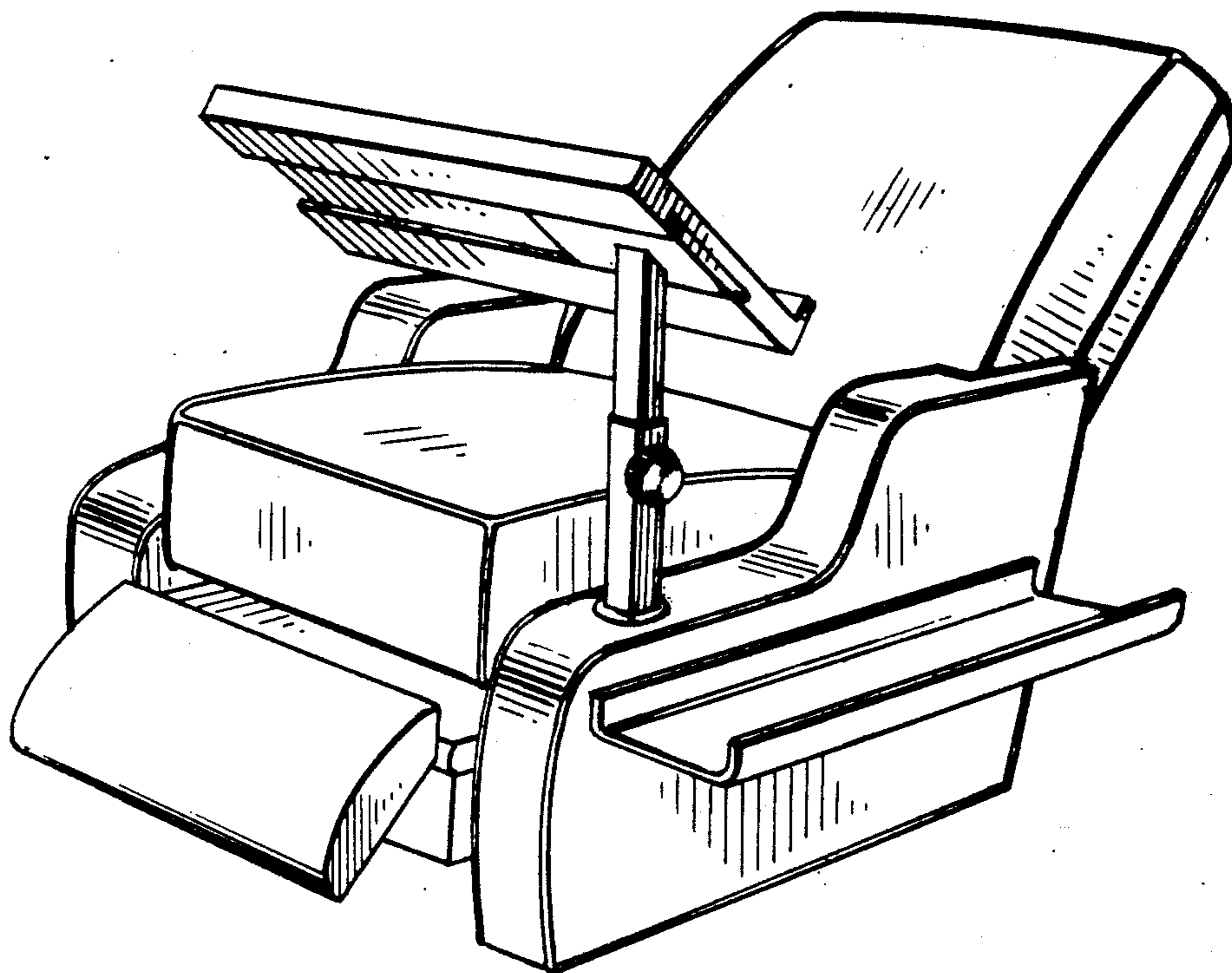
FIG. 1 is a perspective view of my combined lounge  
chair, adjustable table and accessory shelf showing my  
design, the same being shown from side and the front  
thereof with the back inclined, foot rest extended and  
the table turned to a reading position, and

[56] References Cited

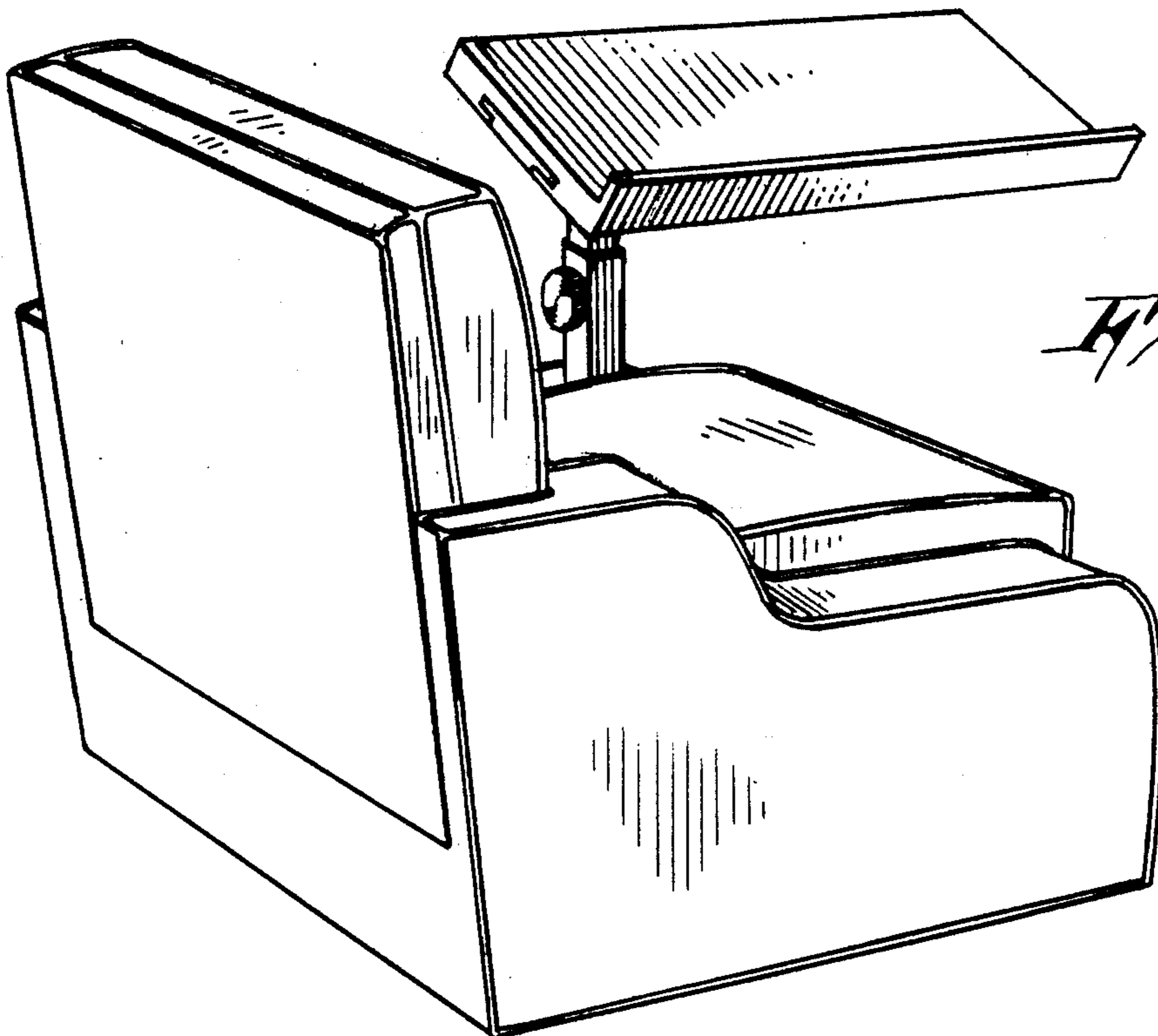
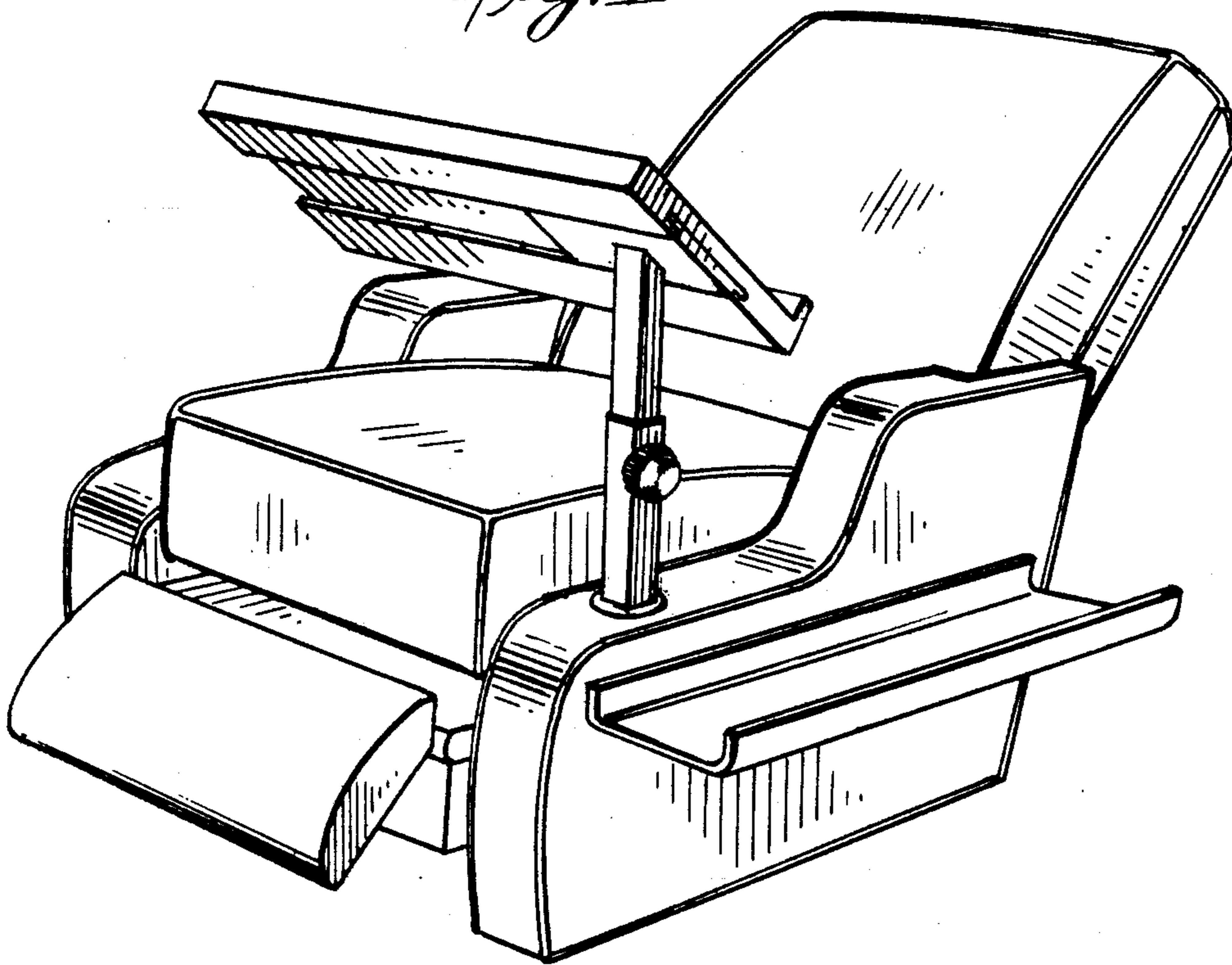
U.S. PATENT DOCUMENTS

D. 140,524 3/1945 Taylor ..... D6/64  
D. 207,262 3/1967 Maurer et al. .... D6/42

FIG. 2 is a perspective view of my combined lounge  
chair, adjustable table and accessory shelf showing my  
design as viewed from the opposite side and back with  
the back raised, the foot rest retracted and the table  
turned to an alternate position.



*Fig. 1*



*Fig. 2*