

[54] RECEIVER HARDWARE FOR PERCUSSIVE MUSICAL INSTRUMENTS

1,254,327 1/1918 Johnson 403/362 X
3,405,588 10/1968 Della-Porta 84/421

[75] Inventors: Forrest W. Clark, Fountain Valley;
David G. Donohoe, Lakewood, both
of Calif.

FOREIGN PATENT DOCUMENTS

2,604,971 8/1976 Fed. Rep. of Germany 84/421
970,054 12/1950 France 84/421

[73] Assignee: CBS Inc., New York, N.Y.

[**] Term: 14 Years

Primary Examiner—Joel Stearman
Assistant Examiner—J. Corrigan
Attorney, Agent, or Firm—Richard L. Gausewitz

[21] Appl. No.: 672,522

[22] Filed: Mar. 31, 1976

[57] CLAIM

The ornamental design for receiver hardware for percussive musical instruments, substantially as shown and described.

Related U.S. Application Data

[63] Continuation-in-part of Ser. No. 553,605, Feb. 27, 1975, abandoned.

DESCRIPTION

[51] Int. Cl. D17-04

[52] U.S. Cl. D56/1 E

[58] Field of Search D56/1 R, 1 E;
248/288 R, 177, 186; 84/411, 421, 422 R;
403/109, 362

FIG. 1 is a front and top perspective view of receiver hardware for percussive musical instruments showing our new design;

FIG. 2 is a front, top and left side perspective view;

FIG. 3 is a top plan view;

FIG. 4 is a bottom plan view;

FIG. 5 is a left side elevational view, the right side being a mirror image thereof;

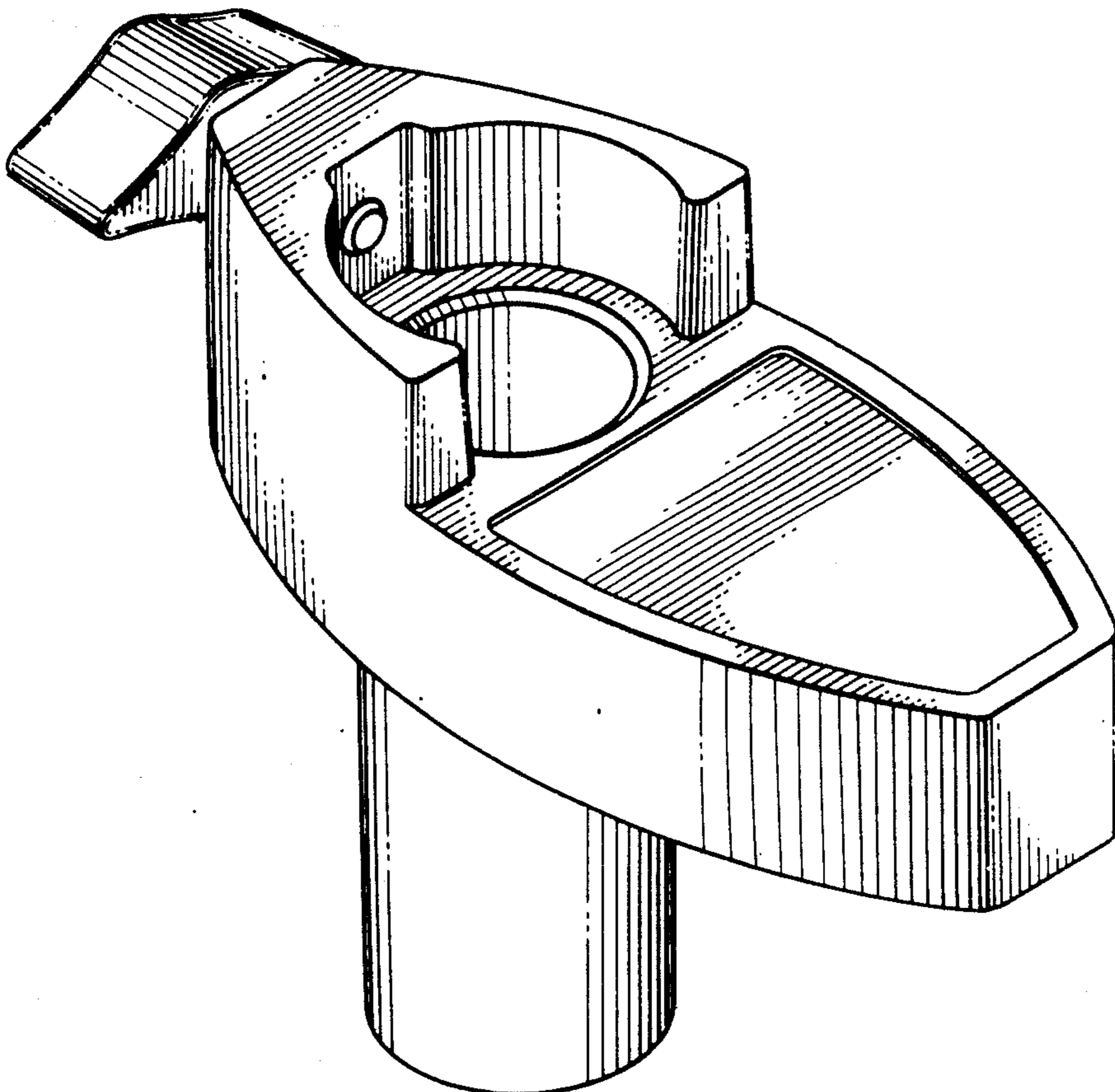
FIG. 6 is a front elevational view; and

FIG. 7 is a rear elevational view.

[56] References Cited

U.S. PATENT DOCUMENTS

1,149,762 8/1915 Hendrickson 248/288 R



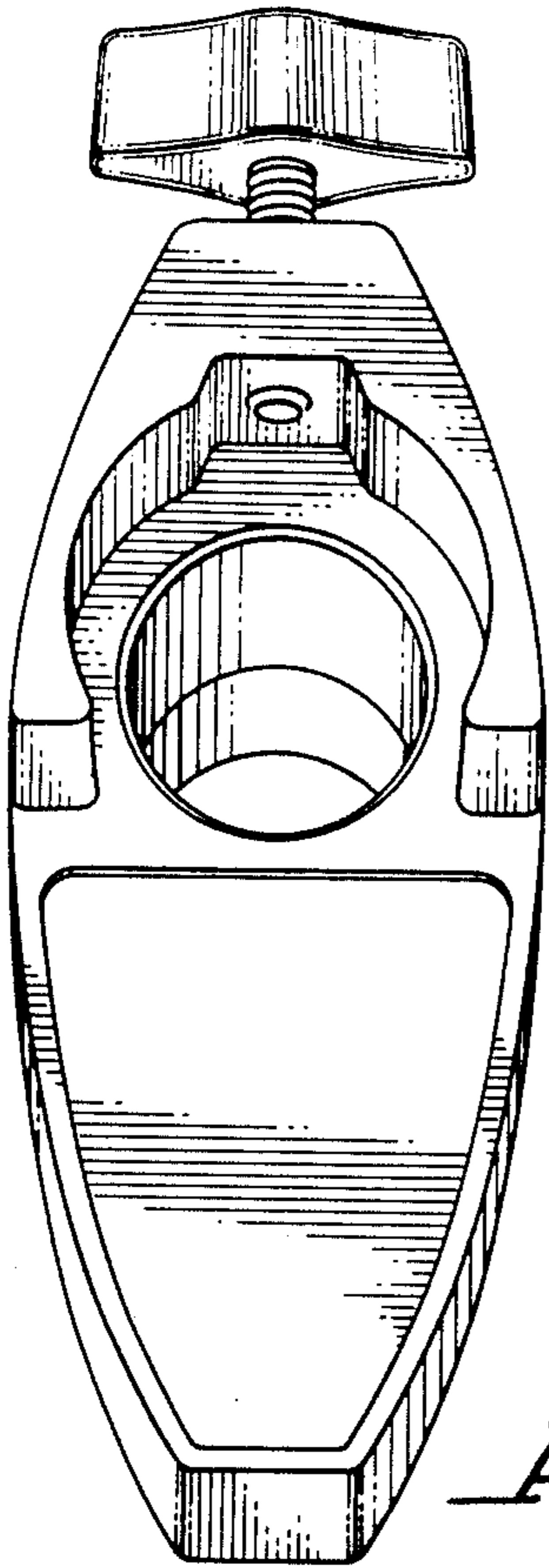


FIG. 1.

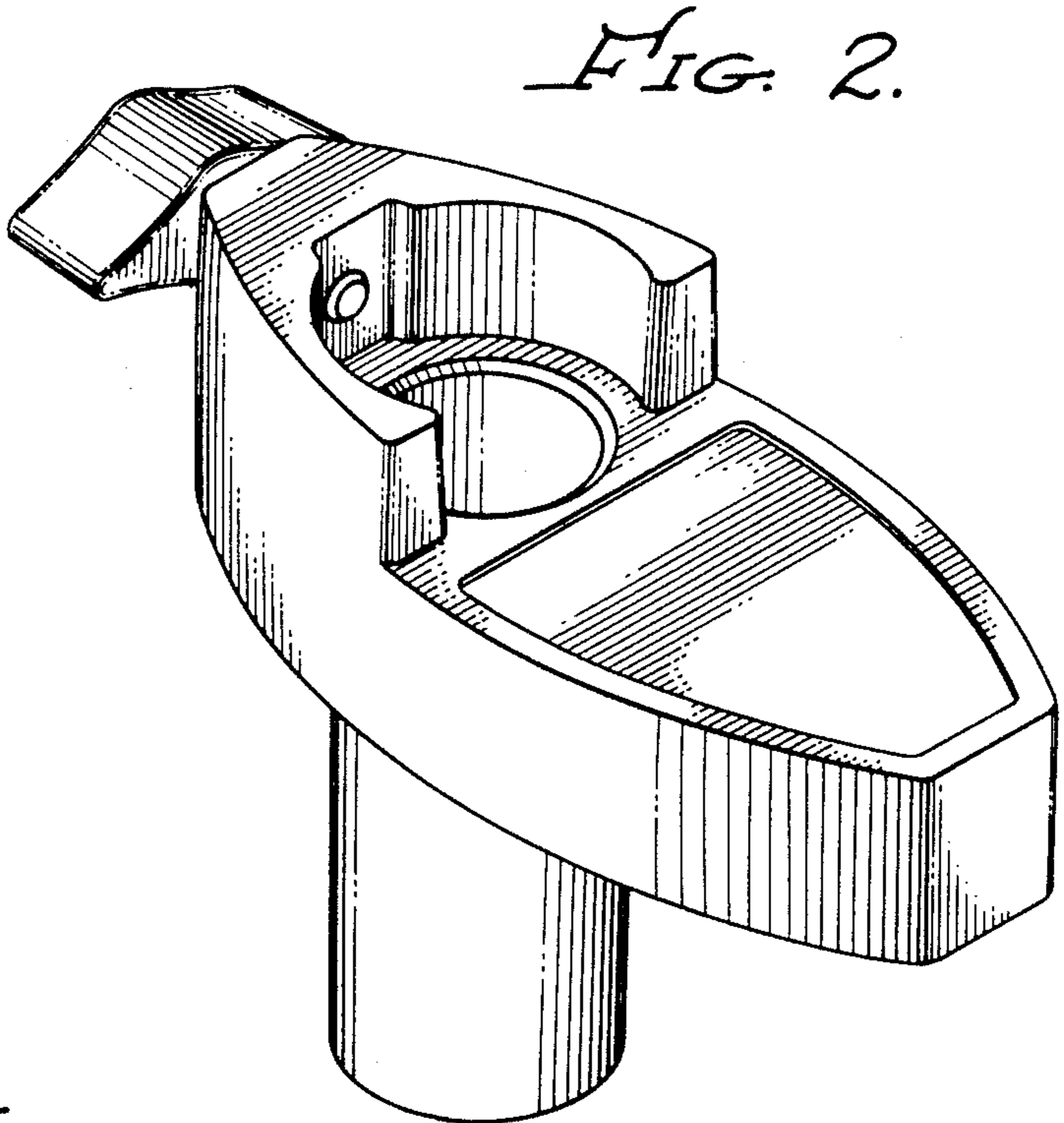


FIG. 2.

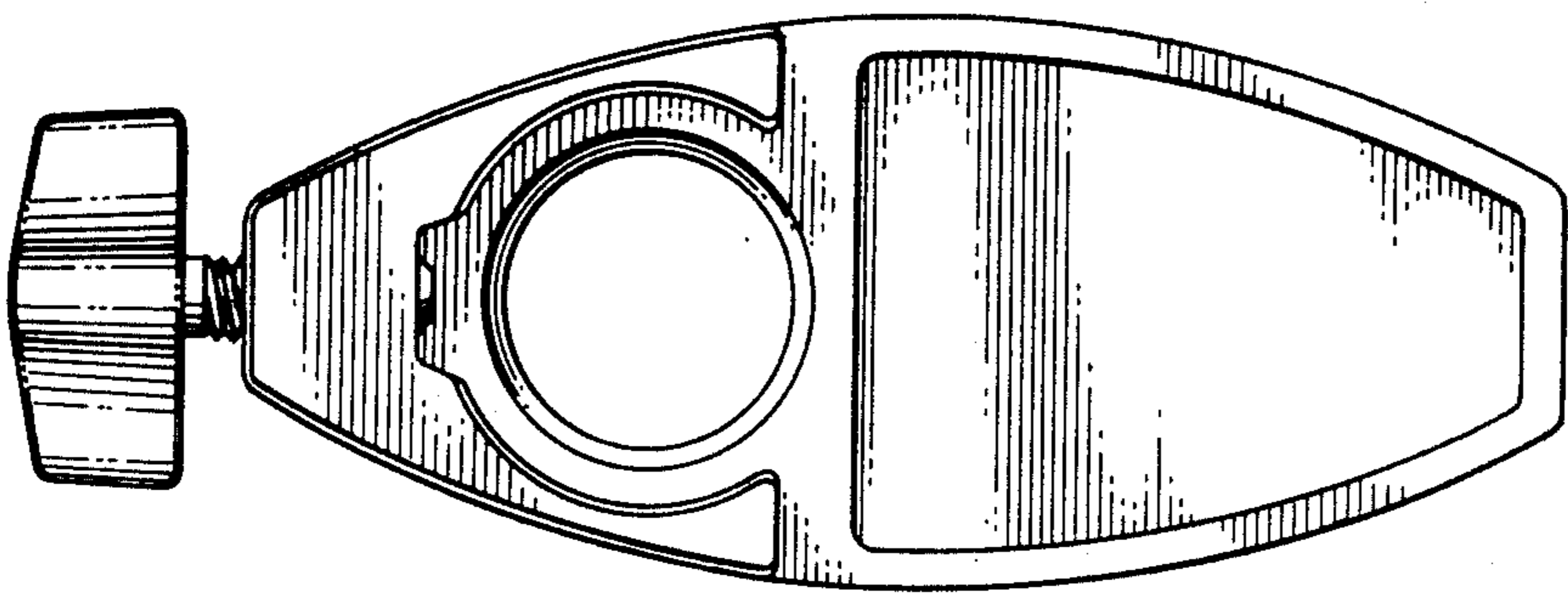


FIG. 3.

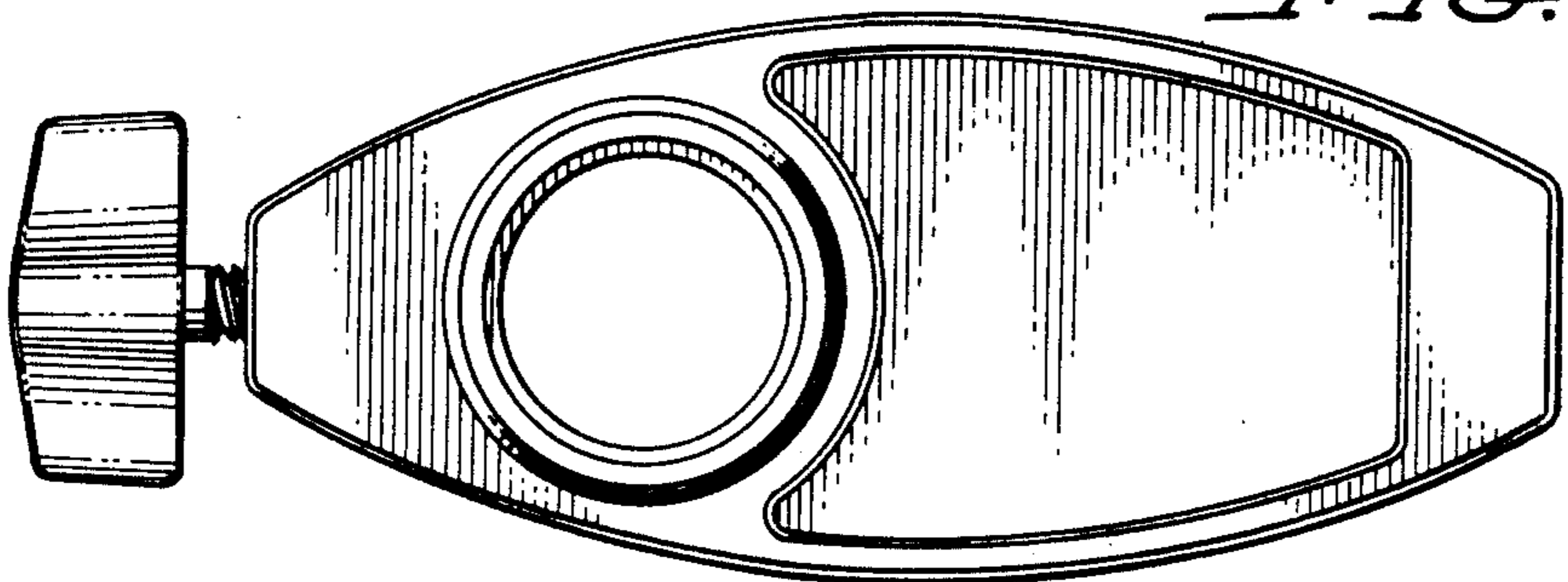


FIG. 4.

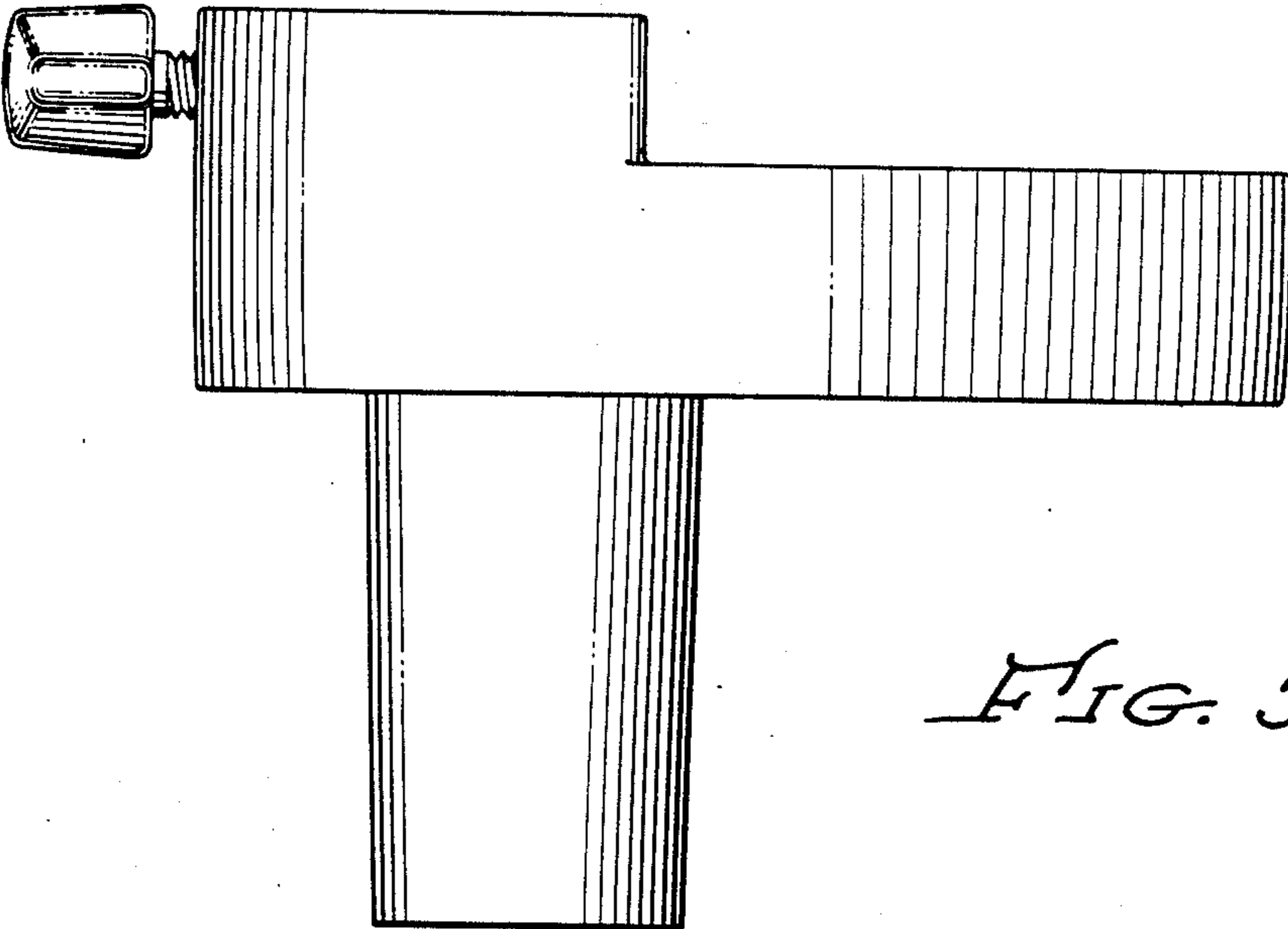


FIG. 5.

FIG. 6.

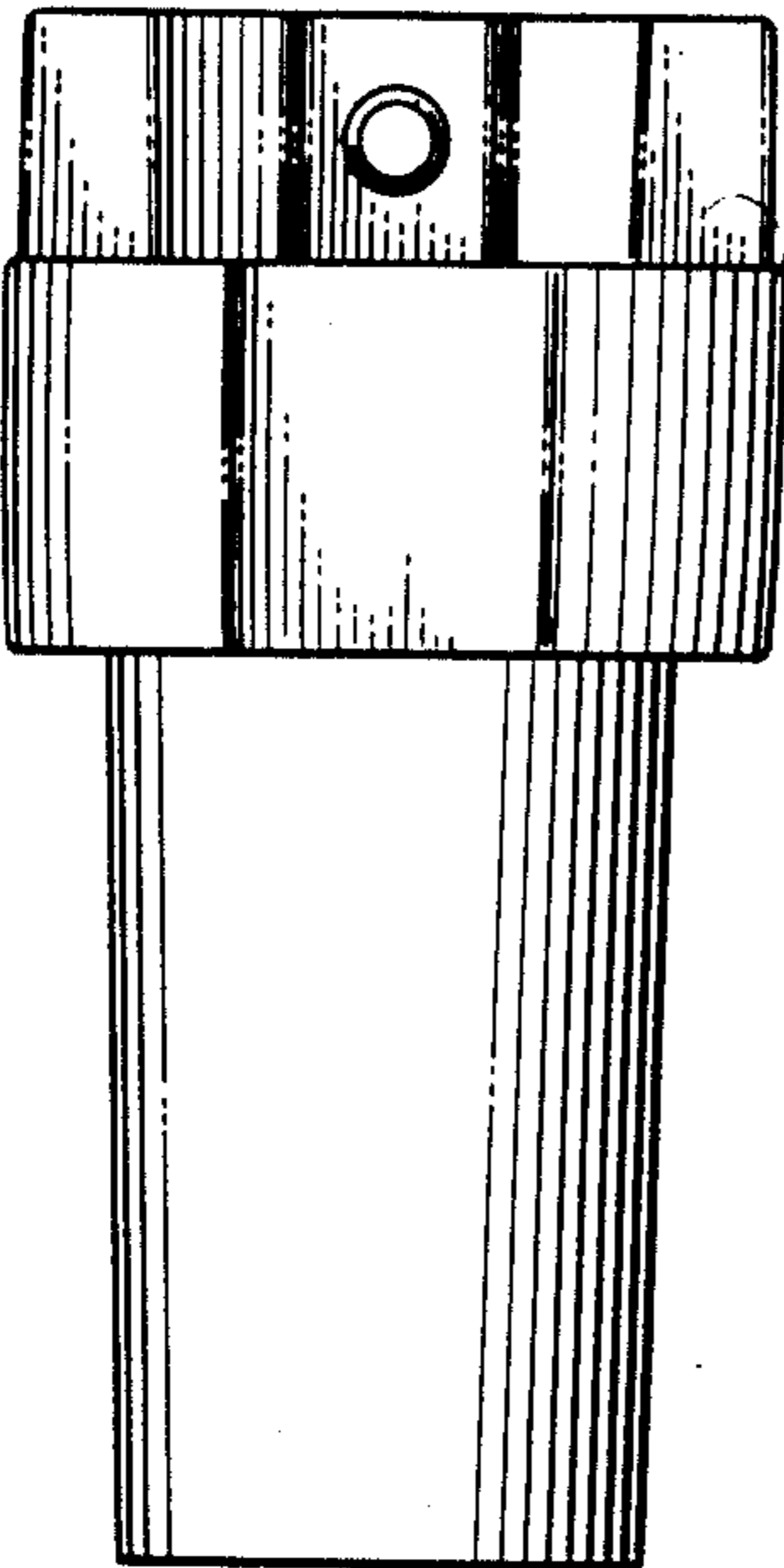


FIG. 7.

