

[54] RECEIVER HARDWARE FOR PERCUSSIVE MUSICAL INSTRUMENTS AND ACCESSORIES THEREFOR

[75] Inventors: Forrest W. Clark, Fountain Valley; David G. Donohoe, Lakewood, both of Calif.

[73] Assignee: CBS Inc., New York, N.Y.

[**] Term: 14 Years

[21] Appl. No.: 672,520

[22] Filed: Mar. 31, 1976

[51] Int. Cl. D17-04
[52] U.S. Cl. D56/1 E
[58] Field of Search D56/1 R, 1 E; 84/421, 84/422 R, 411; 248/177, 186, 288 R; 403/109, 362

[56] References Cited
U.S. PATENT DOCUMENTS

Table with 4 columns: Patent No., Date, Inventor, and Reference Code. Rows include Hendrickson (248/288 R), Johnson (403/362 X), and Carnahan (403/109 X).

FOREIGN PATENT DOCUMENTS

2,604,971 8/1976 Fed. Rep. of Germany 84/421

OTHER PUBLICATIONS

Walberg & Auge, Worcester, Mass., Flyer, "Perfection Drum Stands," 12-64, pp. 12 & 13.

Primary Examiner—Joel Stearman
Assistant Examiner—J. Corrigan
Attorney, Agent, or Firm—Richard L. Gausewitz

[57] CLAIM

The ornamental design for receiver hardware for percussive musical instruments and accessories therefor, substantially as shown.

DESCRIPTION

FIG. 1 is a front, top and left side perspective view of receiver hardware for percussive musical instruments and accessories therefor showing our new design; FIG. 2 is a perspective view similar to FIG. 1 of the hardware rotated slightly toward the front; FIG. 3 is a top plan view; FIG. 4 is a bottom plan view; FIG. 5 is a left side elevational view; FIG. 6 is a right side elevational view; FIG. 7 is a front elevational view; and FIG. 8 is a rear elevational view.

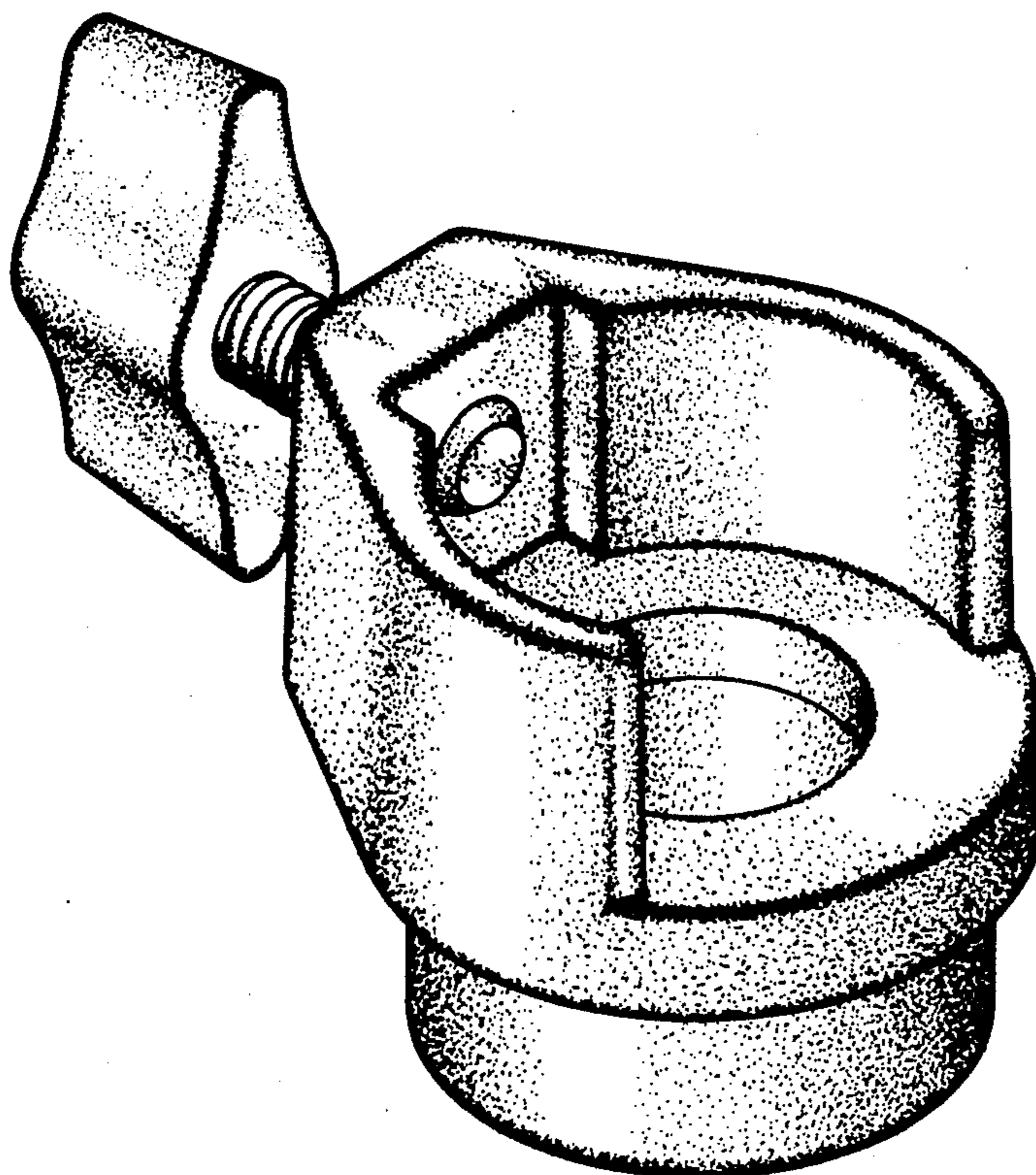


FIG. 1.

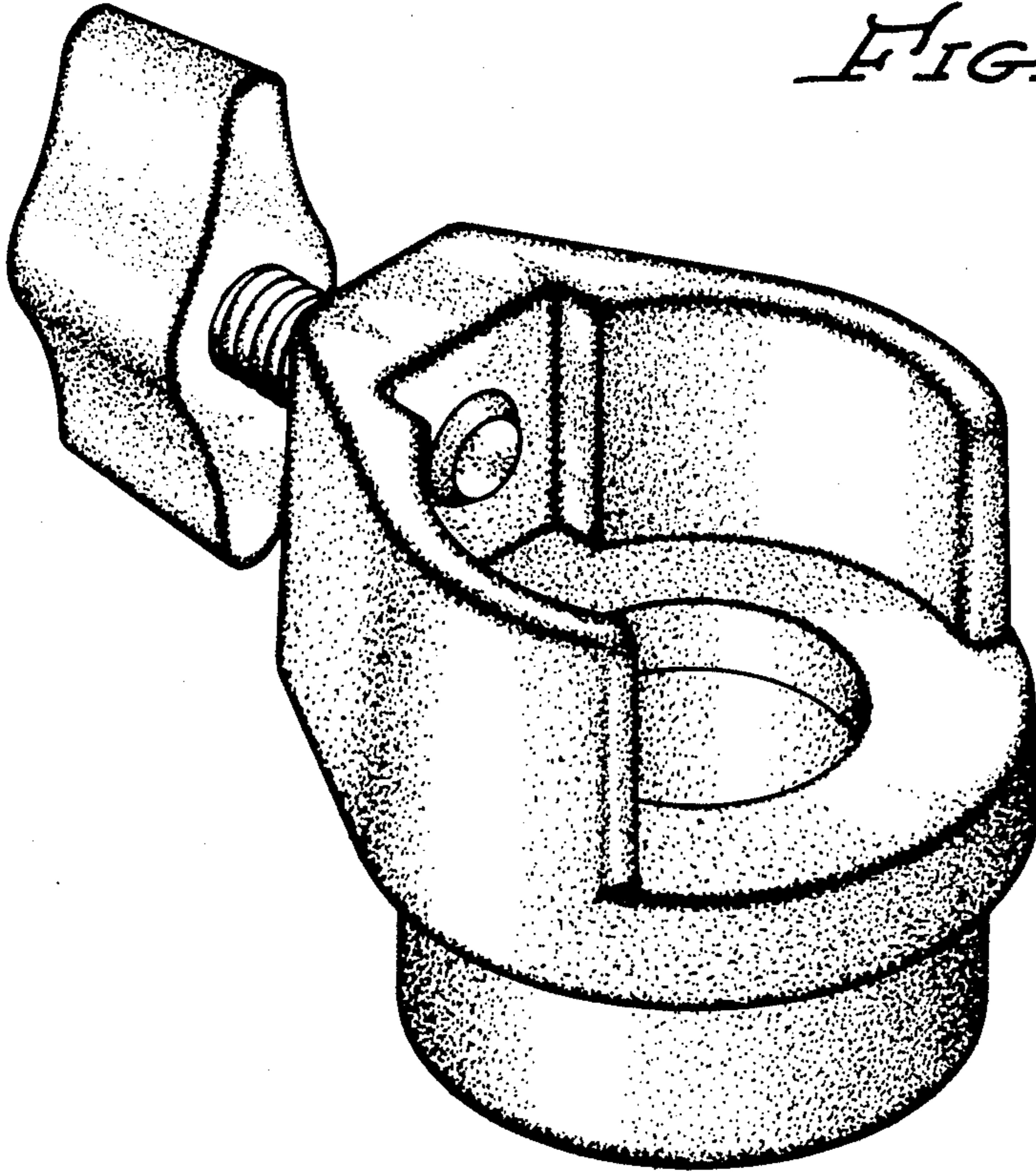


FIG. 2.

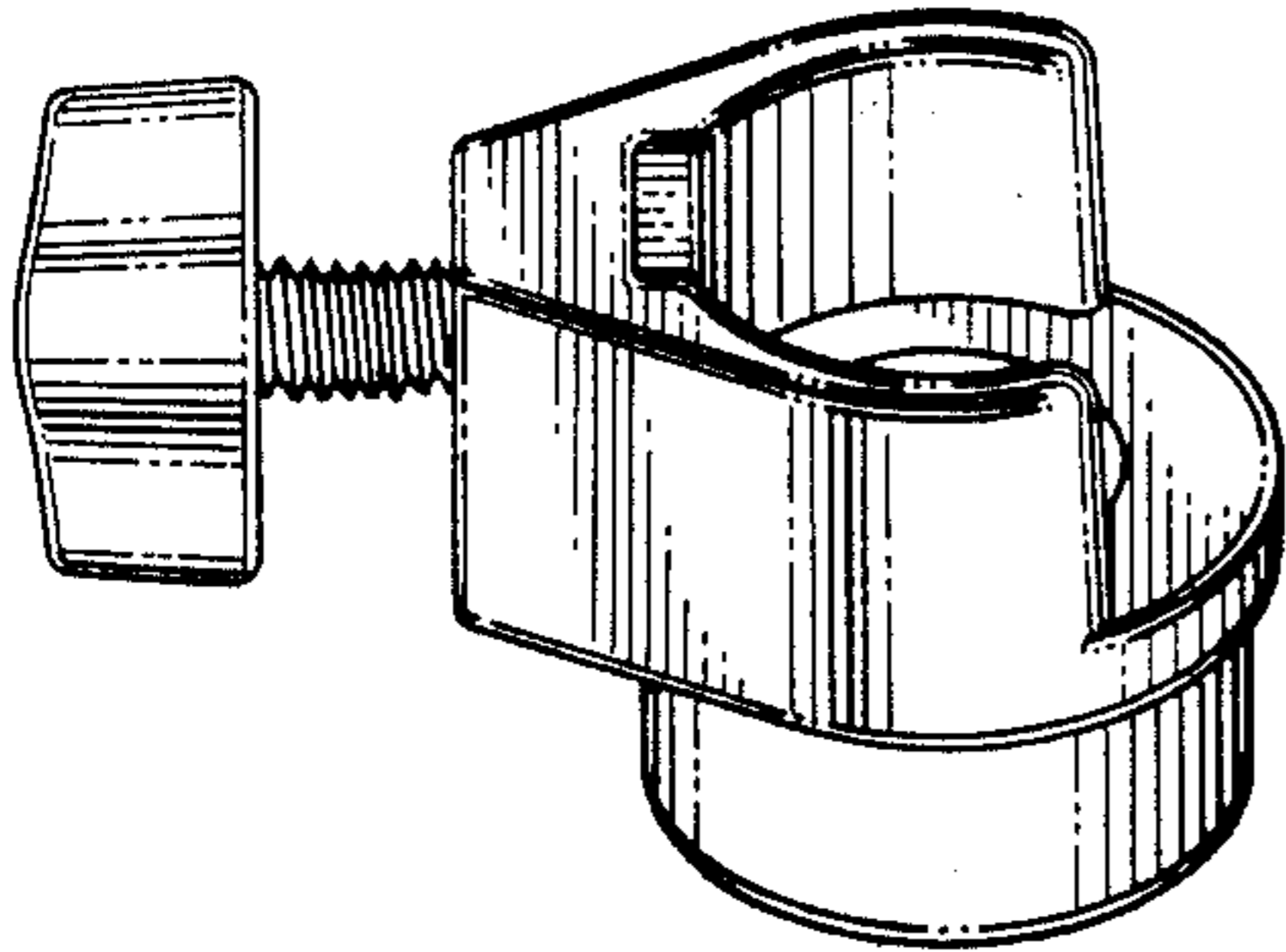


FIG. 3.

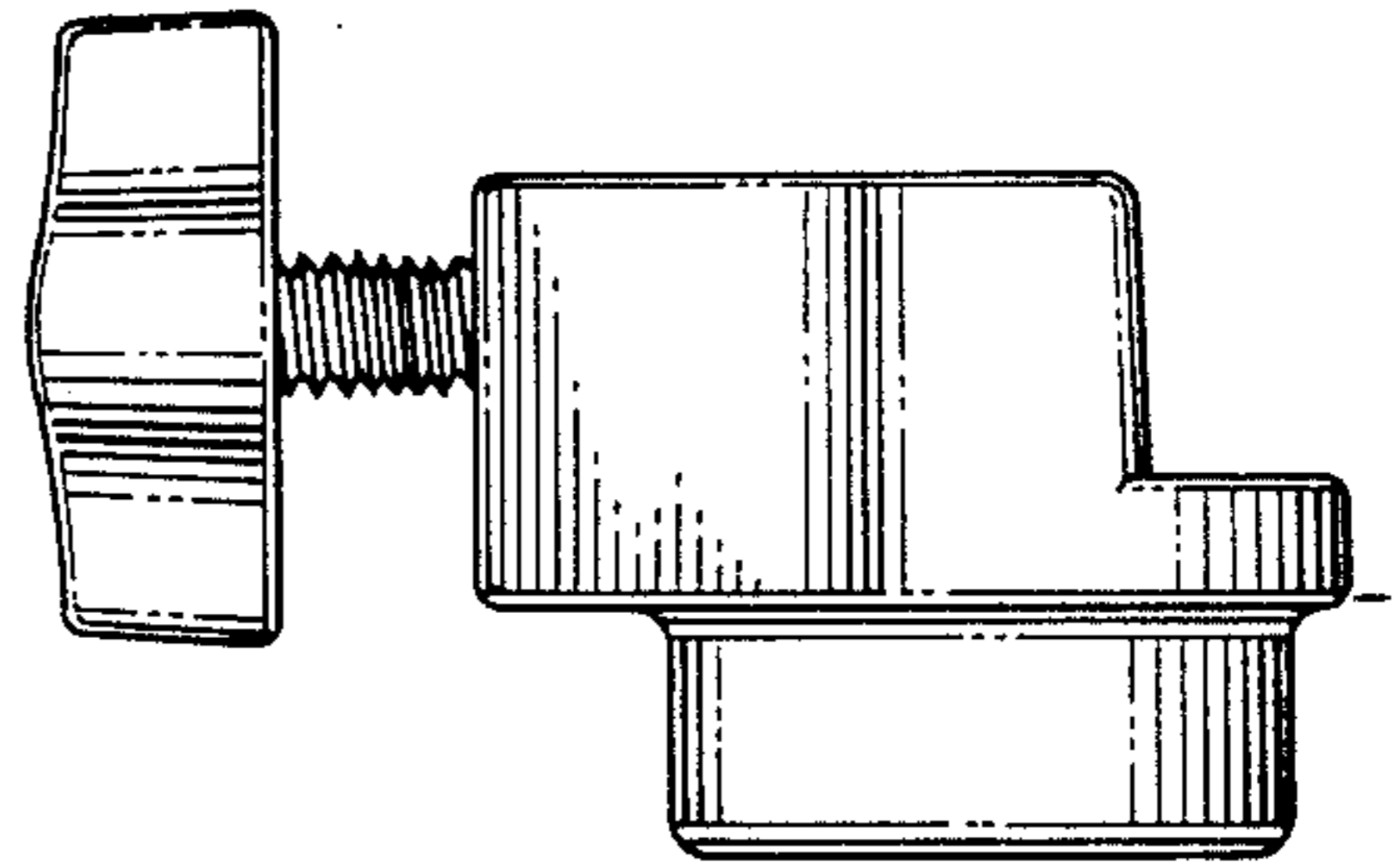
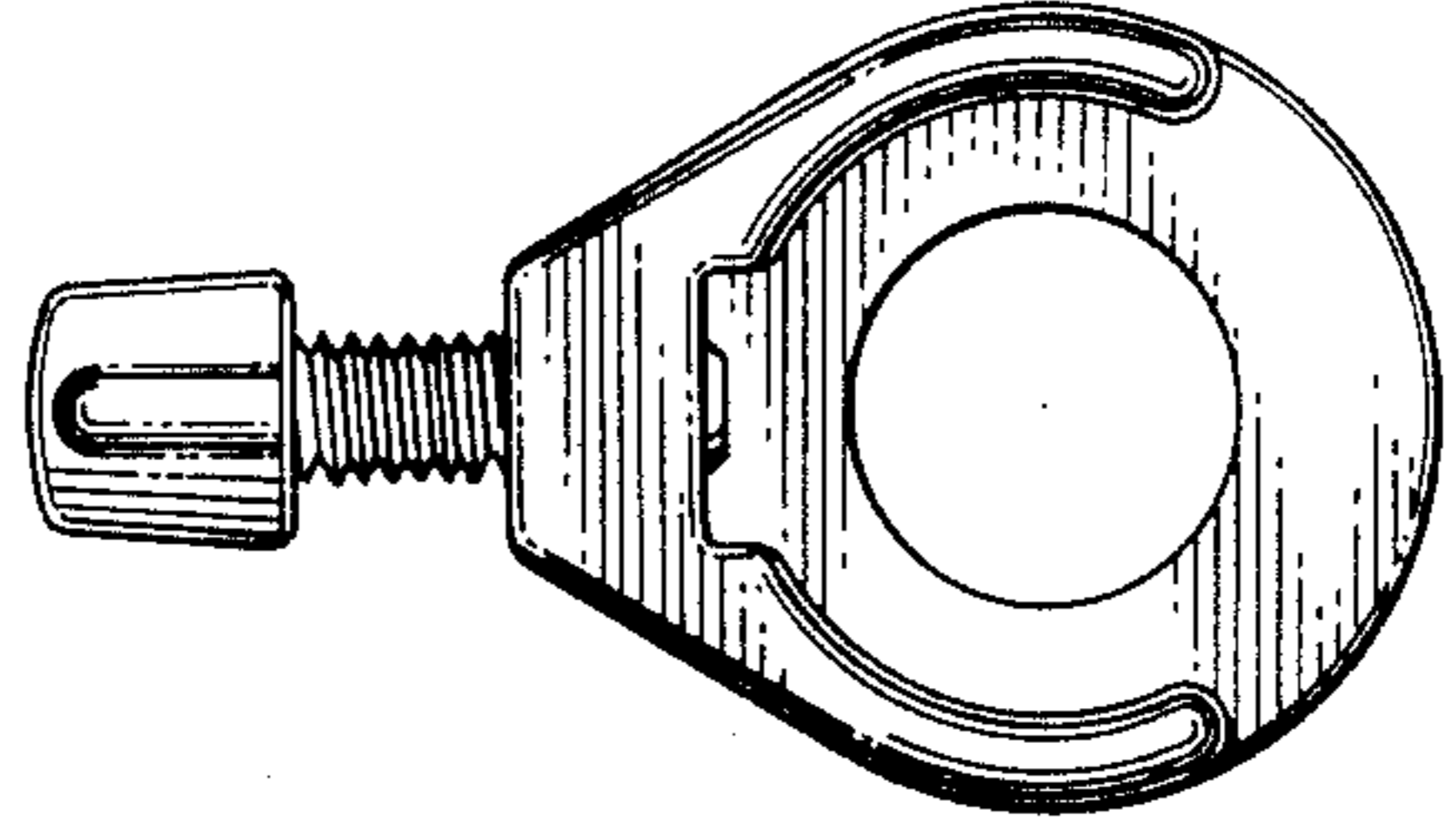


FIG. 4.

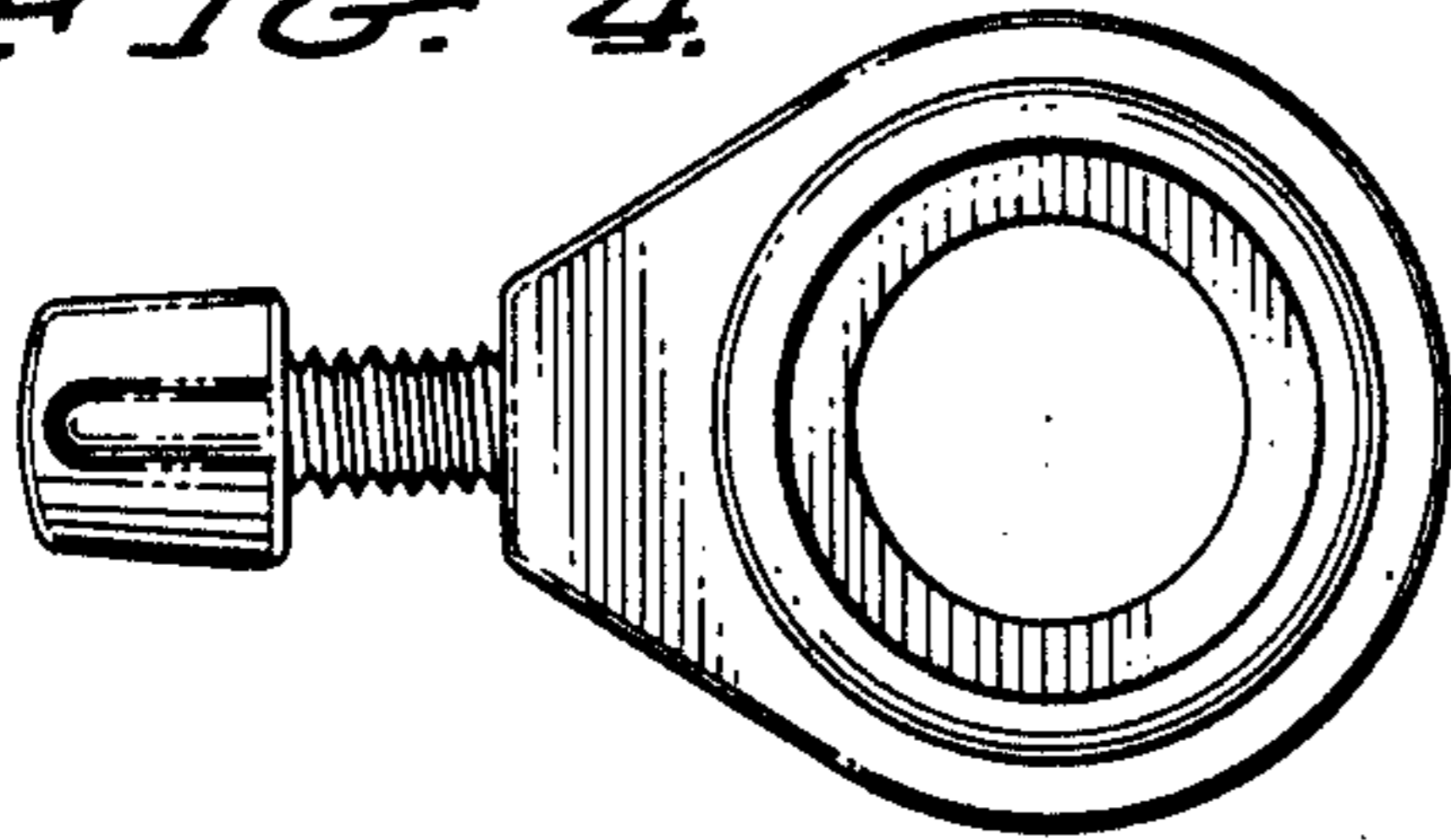


FIG. 5.

FIG. 6.

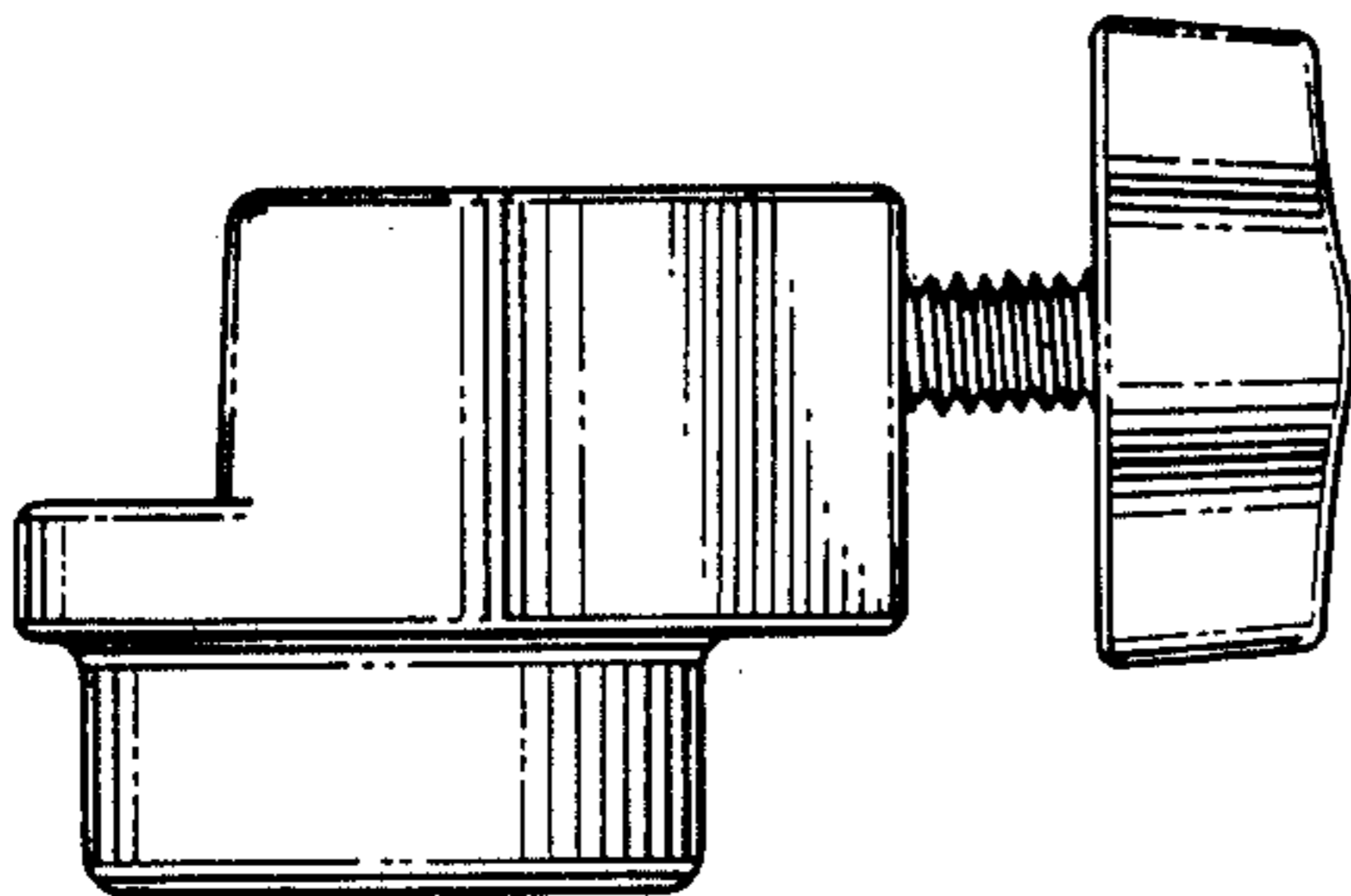


FIG. 7.

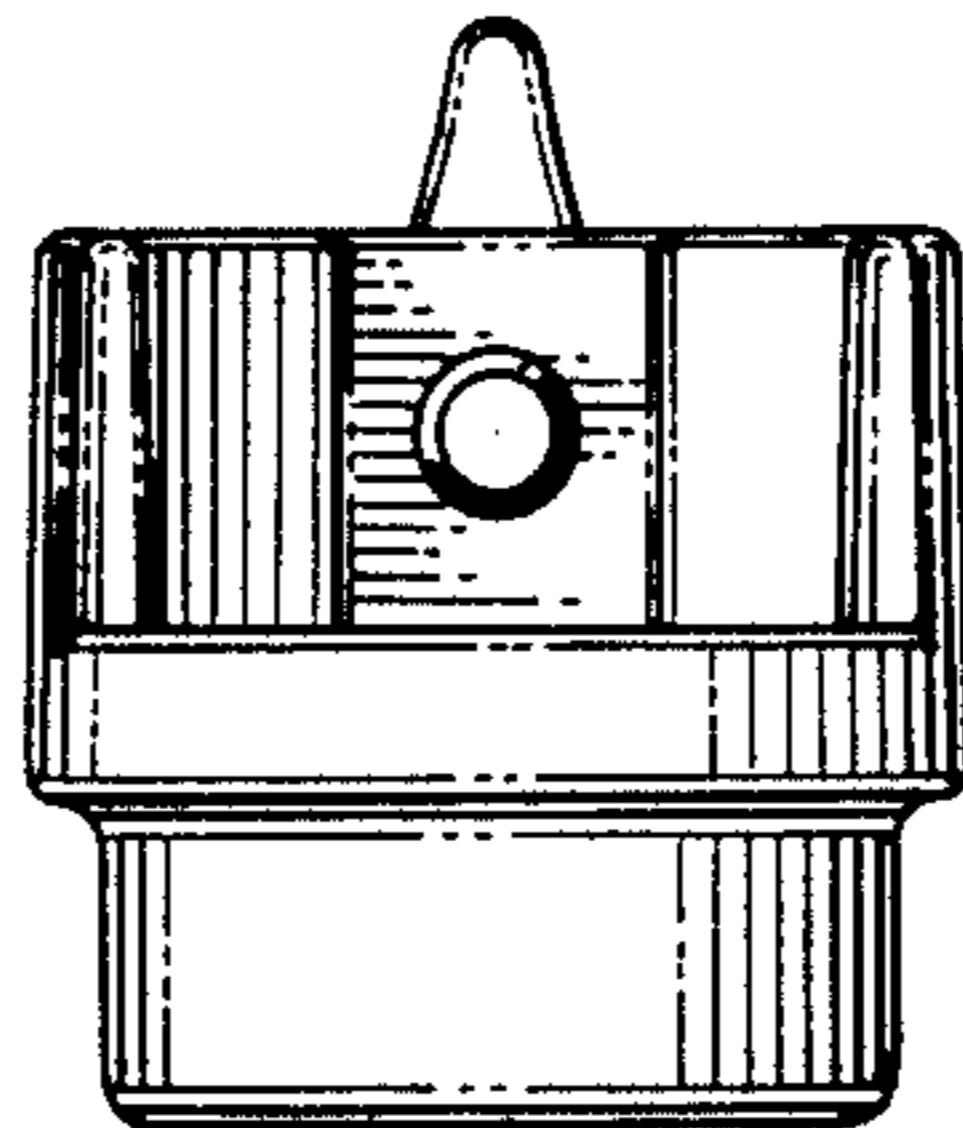


FIG. 8.

