

[54] HOUSE

[76] Inventor: **Ralph Mondragon**, Box 199, Ranches of Taos, N. Mex. 87557

[**] Term: **14 Years**

[21] Appl. No.: **720,463**

[22] Filed: **Sep. 3, 1976**

[51] Int. Cl. **D25—03**

[52] U.S. Cl. **D25/33; D25/1; D25/17; D25/31; D25/32**

[58] Field of Search **D25/1, 17, 7, 18, 22, D25/23, 31, 32**

[56]

References Cited

U.S. PATENT DOCUMENTS

D. 129,934 10/1941 Valentine D25/33
D. 147,881 11/1947 Valentine D25/33

Primary Examiner—A. Hugo Word
Attorney, Agent, or Firm—Frederick W. Turnbull

[57]

CLAIM

The ornamental design for a house, as shown and described.

DESCRIPTION

FIG. 1 is a perspective view looking in the direction of Arrow 1 in FIG. 2;

FIG. 2 is a plan view;

FIG. 3 is a perspective view looking in the direction of Arrow 3, in FIG. 2; and

FIG. 4 is a perspective view looking in the direction of Arrow 4 in FIG. 2.

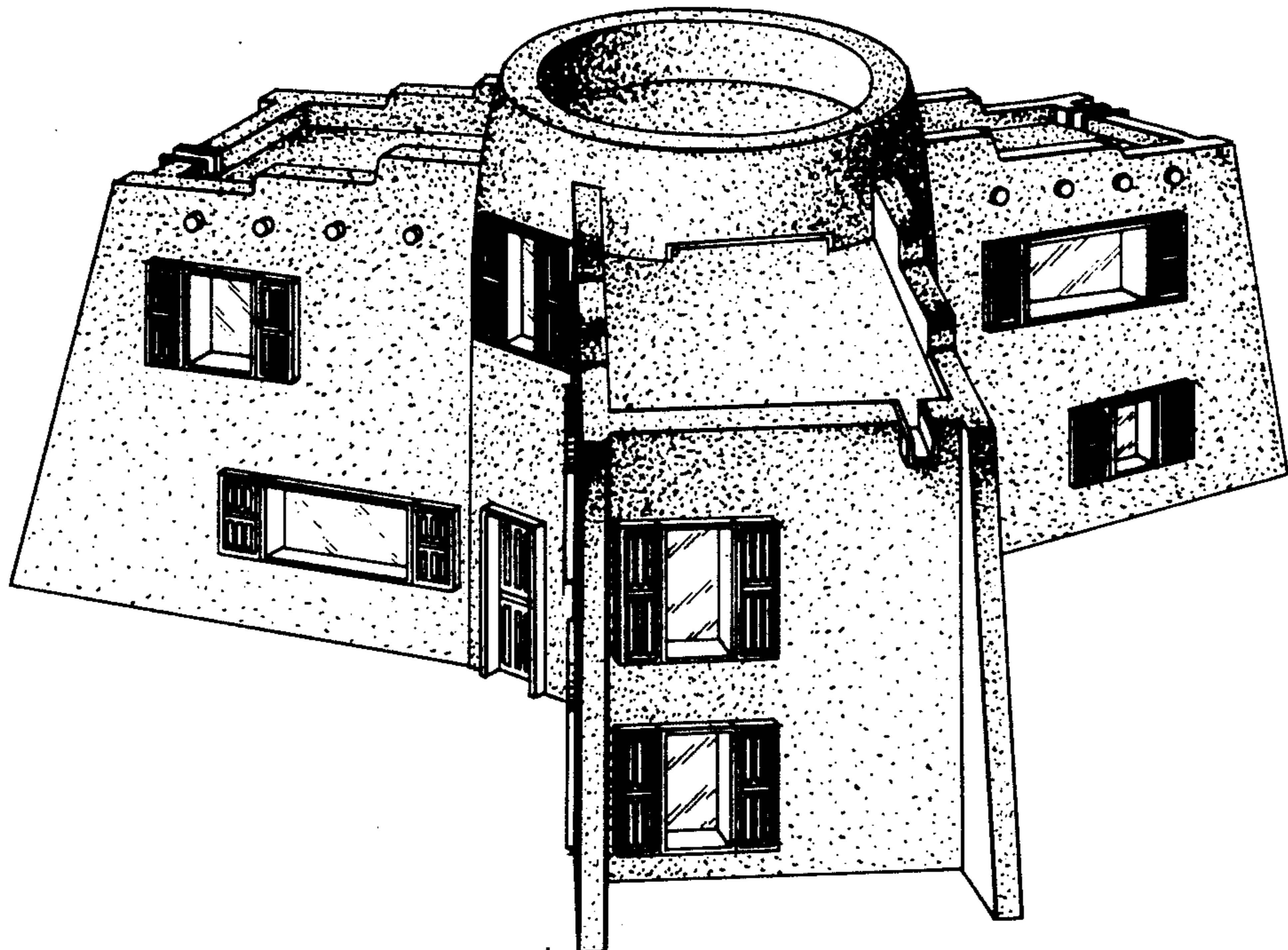


FIG. 1.

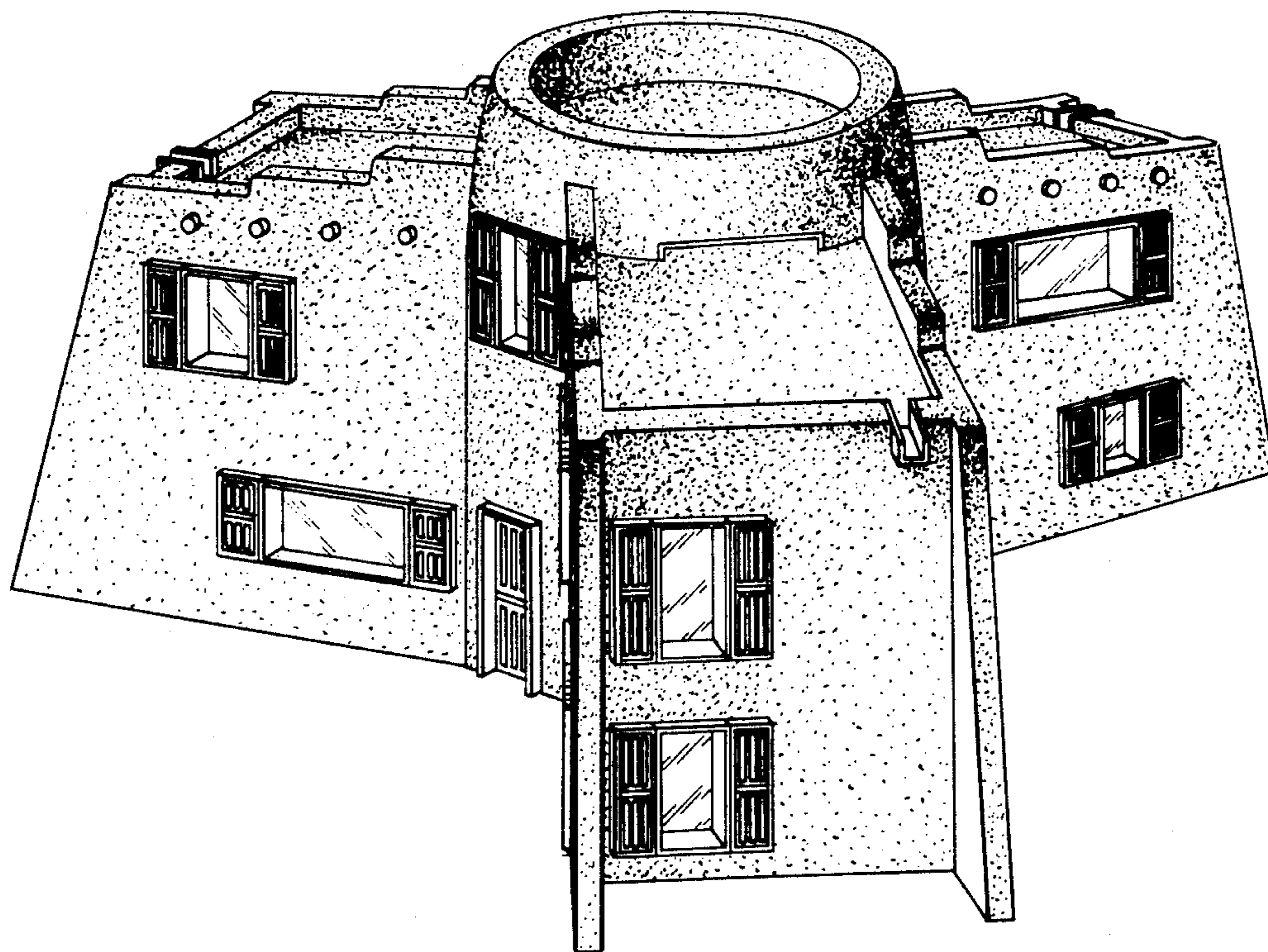


FIG. 2.

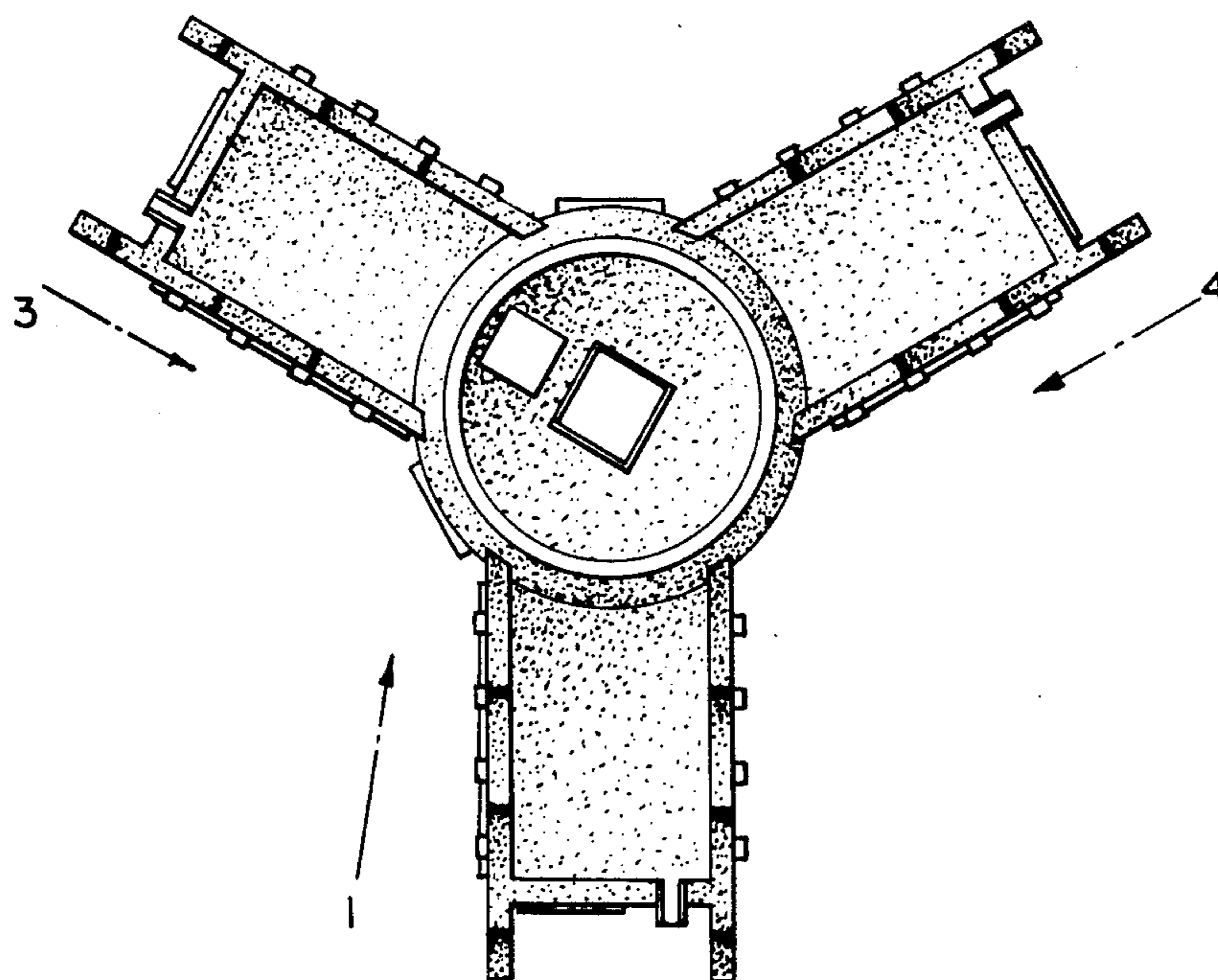


FIG. 3.

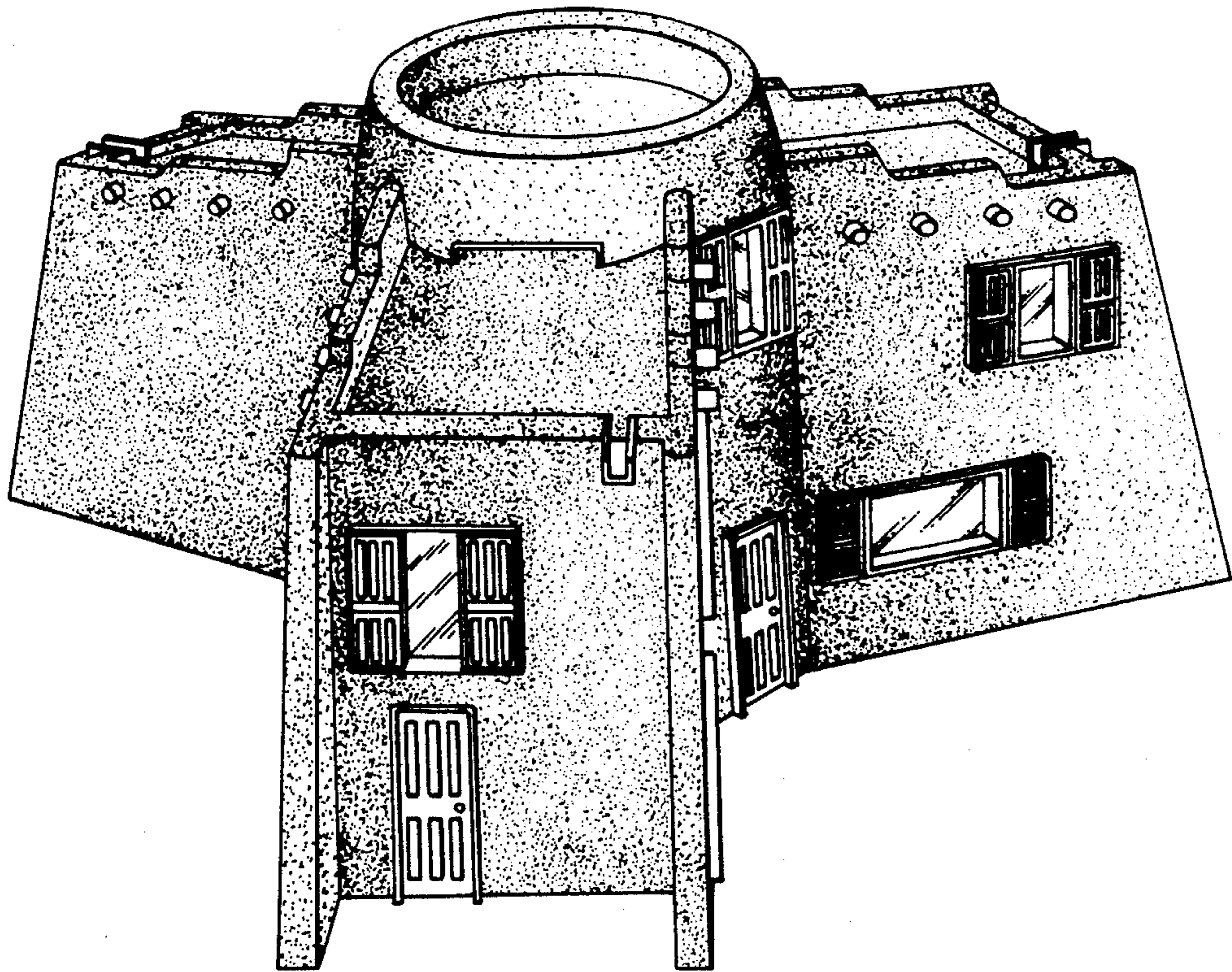


FIG. 4.

