

[54] WOOD BURNING STOVE

[75] Inventor: Duncan C. Syme, Chelsea, Vt.

[73] Assignee: Vermont Castings, Inc., Randolph, Vt.

[**] Term: 14 Years

[21] Appl. No.: 820,165

[22] Filed: Jul. 29, 1977

[51] Int. Cl. D23-03

[52] U.S. Cl. D23/97

[58] Field of Search D23/72, 86, 89, 92, D23/93, 94, 97, 105, 107, 108, 127, 128; D7/112, 113, 114; 126/4.6, 58, 59, 60, 62, 65, 120, 121, 123, 126, 138

[56] References Cited

U.S. PATENT DOCUMENTS

D. 208,891 10/1967 Wilkinson D23/93

Primary Examiner—A. Hugo Word

Assistant Examiner—Catherine Kemper

Attorney, Agent, or Firm—Melvin R. Jenney

[57] CLAIM

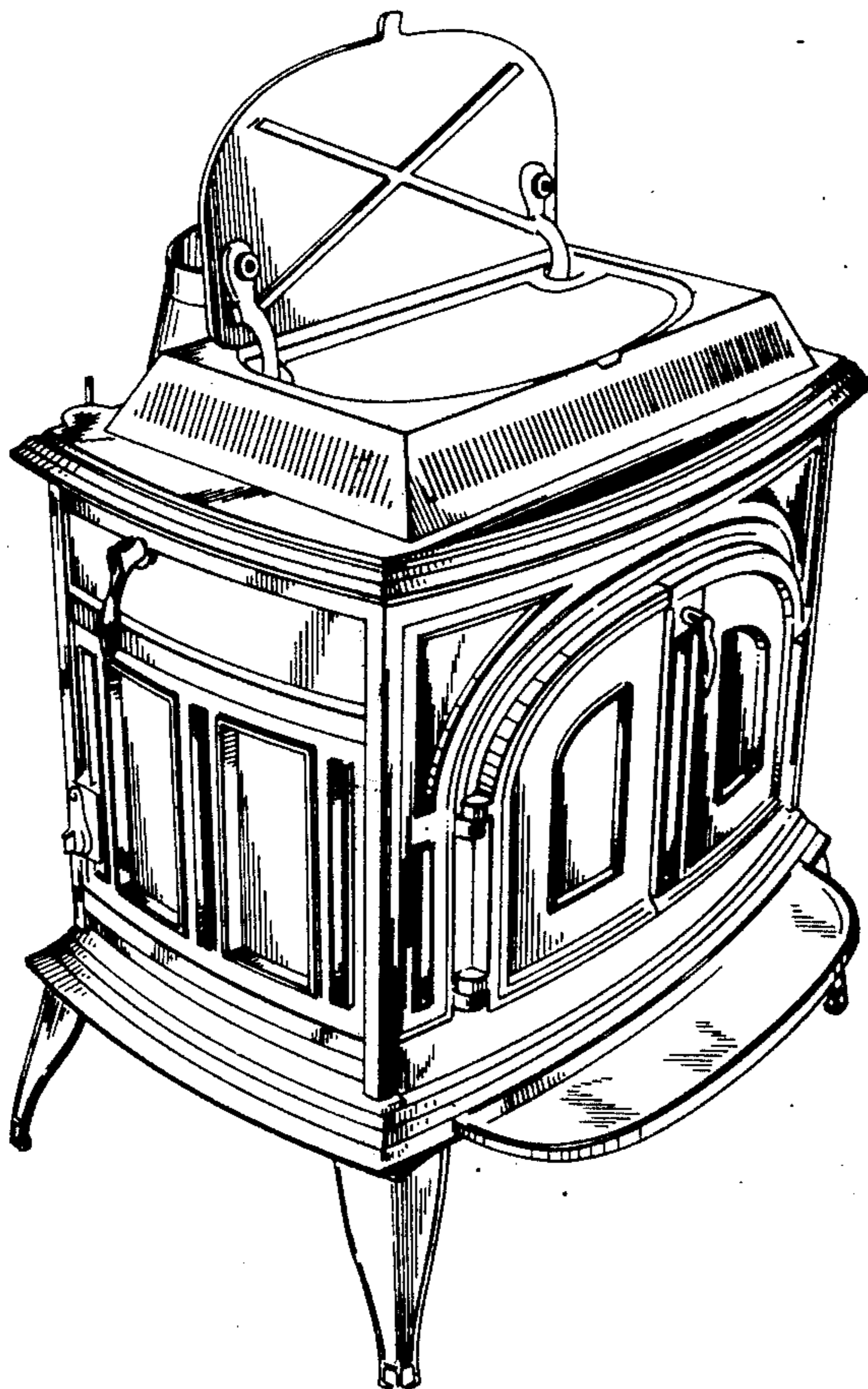
The ornamental design for a wood burning stove, as shown and described.

DESCRIPTION

FIG. 1 is a front perspective view of a wood burning stove showing my new design, shown with the lid raised;

FIG. 2 is a rear perspective view thereof, shown with the lid closed and the chimney connection rotated to an alternate position;

FIG. 3 is a bottom front perspective view thereof; and FIG. 4 is a rear perspective view of the stove shown in FIG. 1.



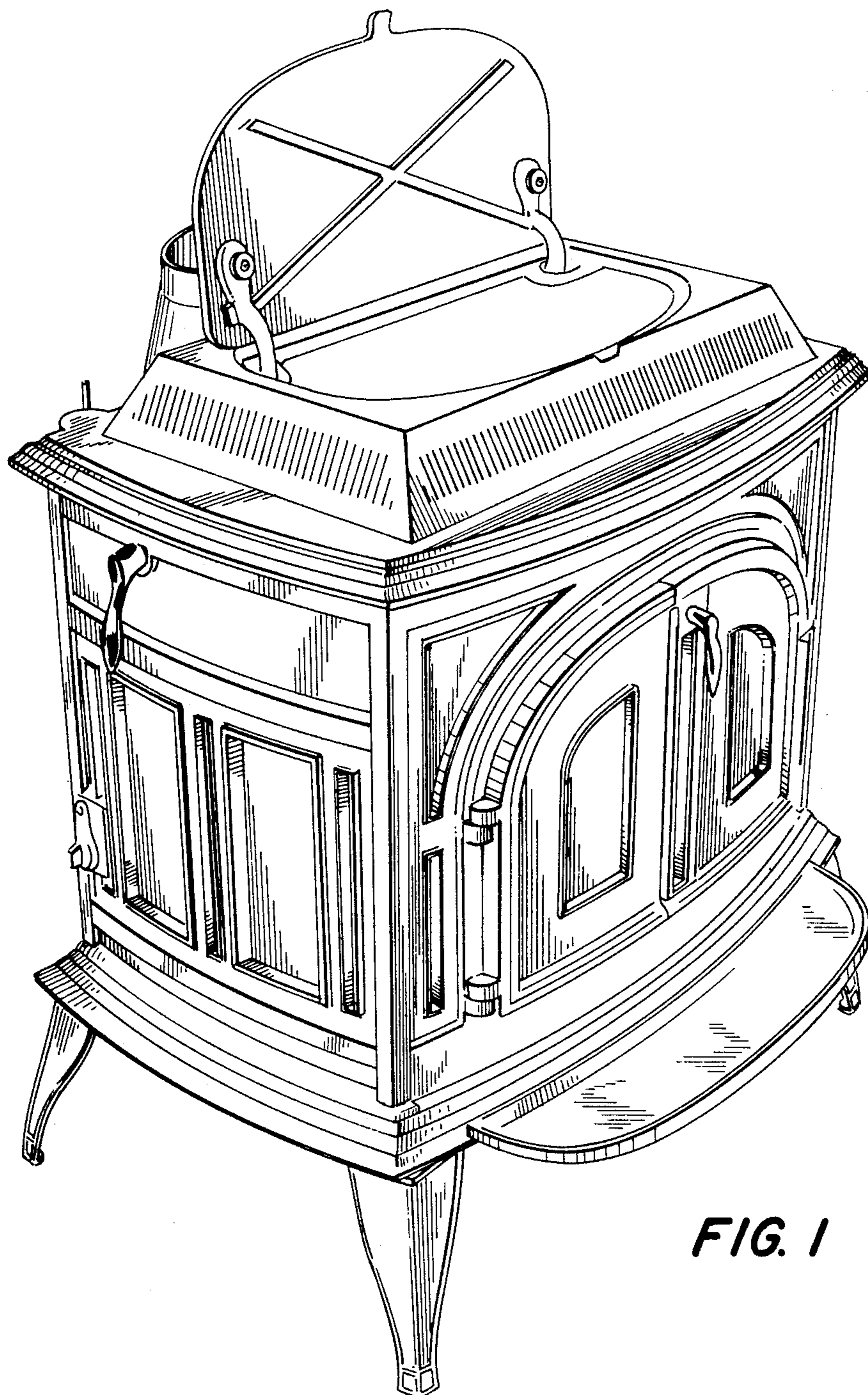


FIG. 1

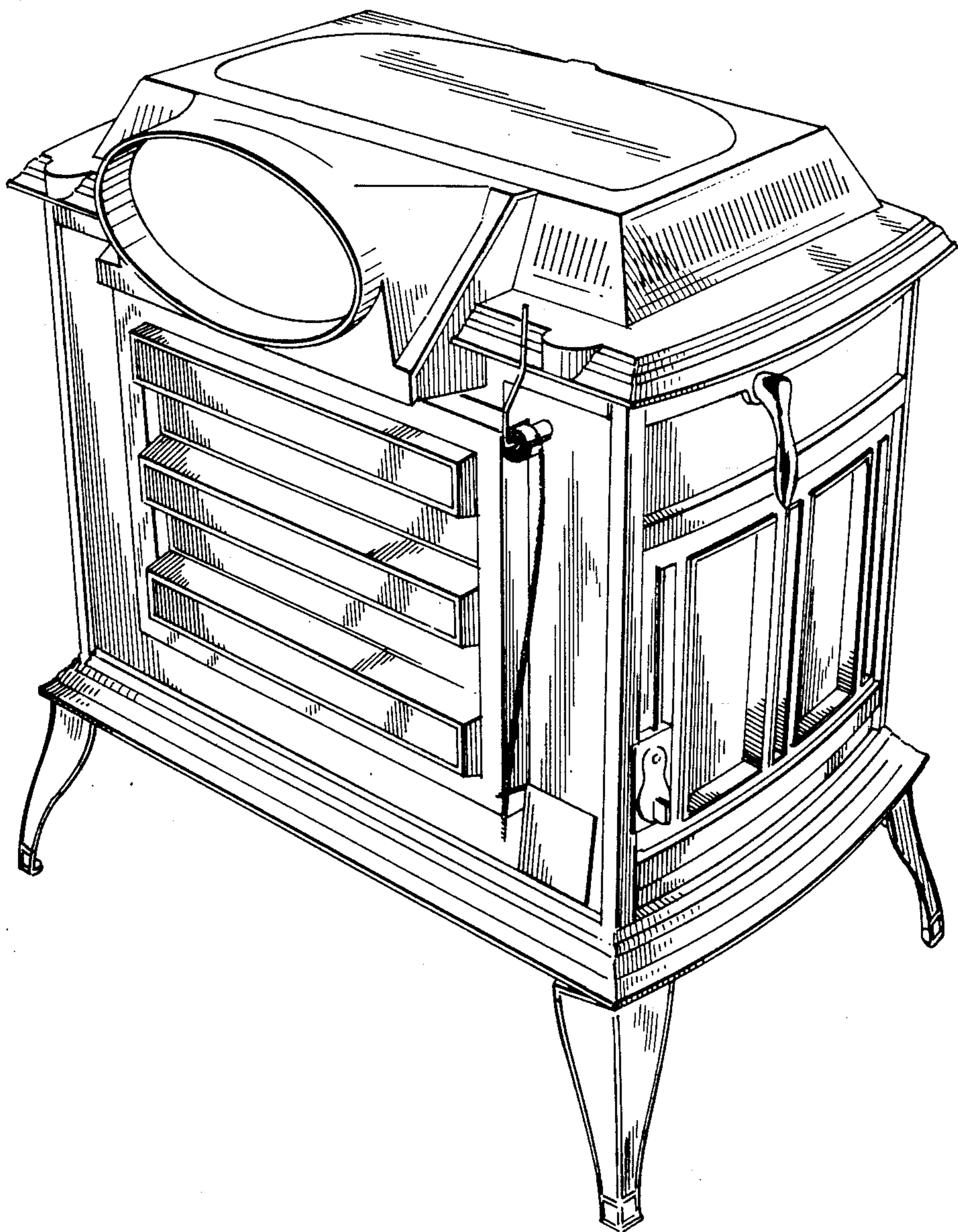


FIG. 2

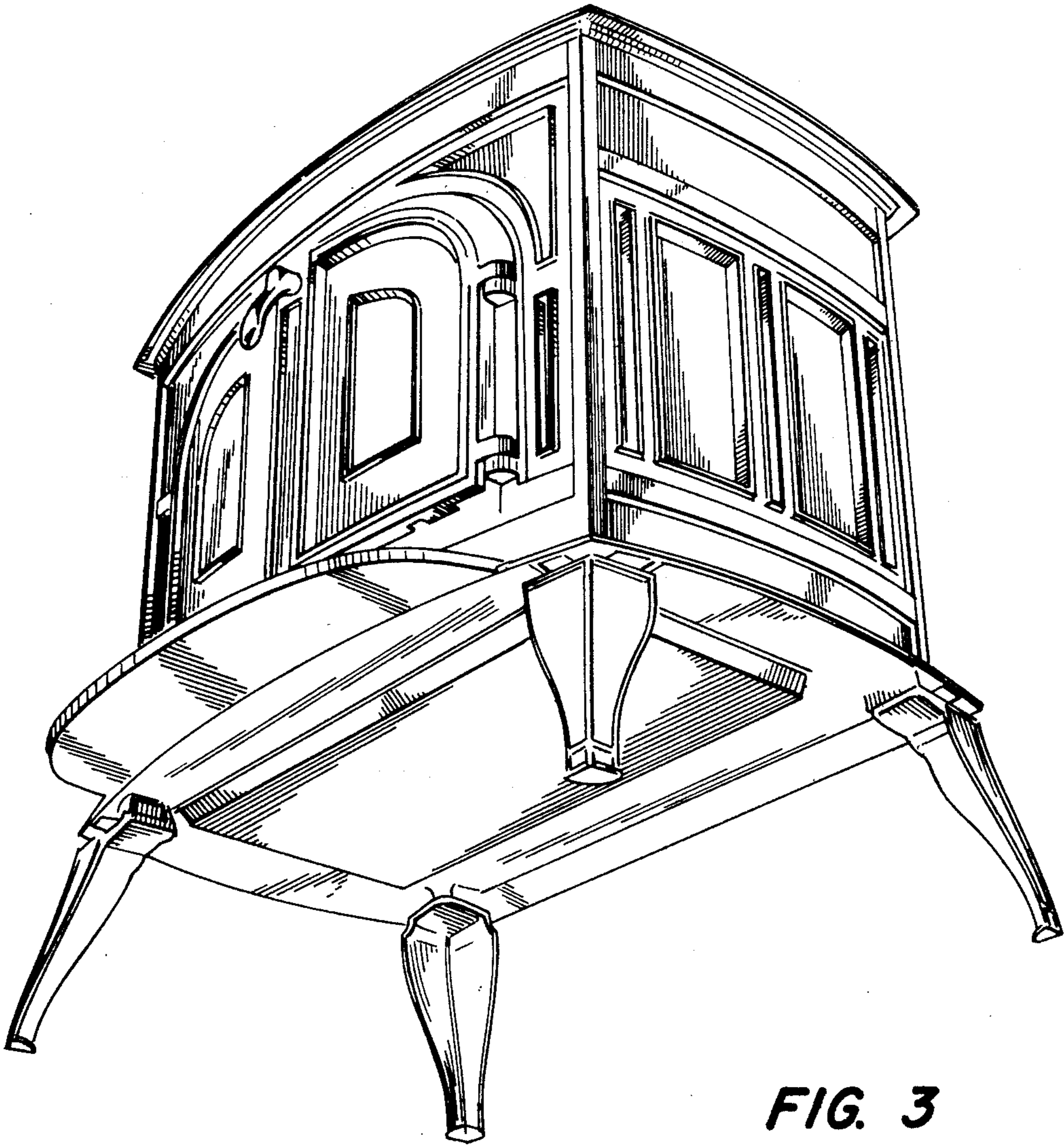


FIG. 3

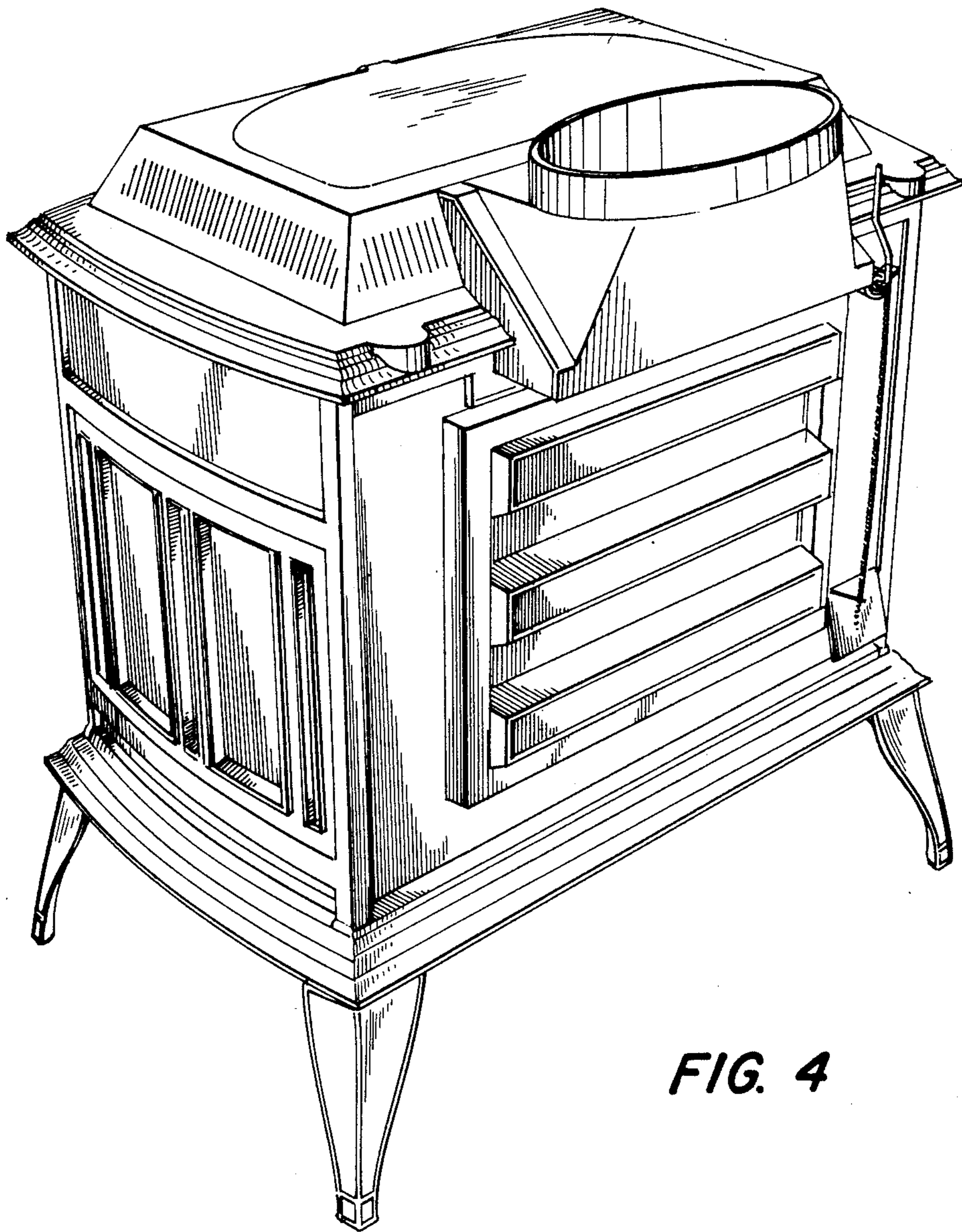


FIG. 4