

[54] COMBINED DESK SET, CLOCK AND CALENDAR HOLDER

[76] Inventor: Coy S. Pierce, 1050 W. Knickerbocker, Sunnyvale, Calif. 94087

[**] Term: 14 Years

[21] Appl. No.: 713,123

[22] Filed: Aug. 10, 1976

[51] Int. Cl. D19-06; D19-03; D10-01

[52] U.S. Cl. D19/23; D10/03; D19/21; D19/77; D19/85

[58] Field of Search D19/21, 23, 36, 65, D19/75, 77, 81, 85; D96/12 F; 211/69.1, 69.2; D10/2-4

[56] References Cited

U.S. PATENT DOCUMENTS

D. 104,243	4/1937	Chenoweth et al.	D10/2
D. 113,519	2/1939	Meyer	D19/85
D. 145,486	8/1946	Lewis	D19/85
D. 145,809	10/1946	Lewis	D19/23

D. 149,335	4/1948	Beatty	D19/23
D. 227,176	6/1973	Franklin	D19/21
2,903,805	9/1959	Armentrout	D96/12 F

Primary Examiner—Joel Stearman
Assistant Examiner—George P. Word
Attorney, Agent, or Firm—Thomas H. Olson

[57] CLAIM

The ornamental design for a combined desk set, clock and calendar holder, as shown and described.

DESCRIPTION

FIG. 1 is a perspective view of a combined desk set, clock and calendar holder showing my new design; FIG. 2 is a top plan view, thereof; FIG. 3 is a front elevational view, the rear being substantially a mirror image thereof; FIG. 4 is a right side elevational view; and FIG. 5 is a bottom plan view.

The portions of the article normally visible through the transparent base and the writing instruments in FIG. 5, as well as a portion of one of the writing instruments in FIG. 3, have been omitted for convenience of illustration.

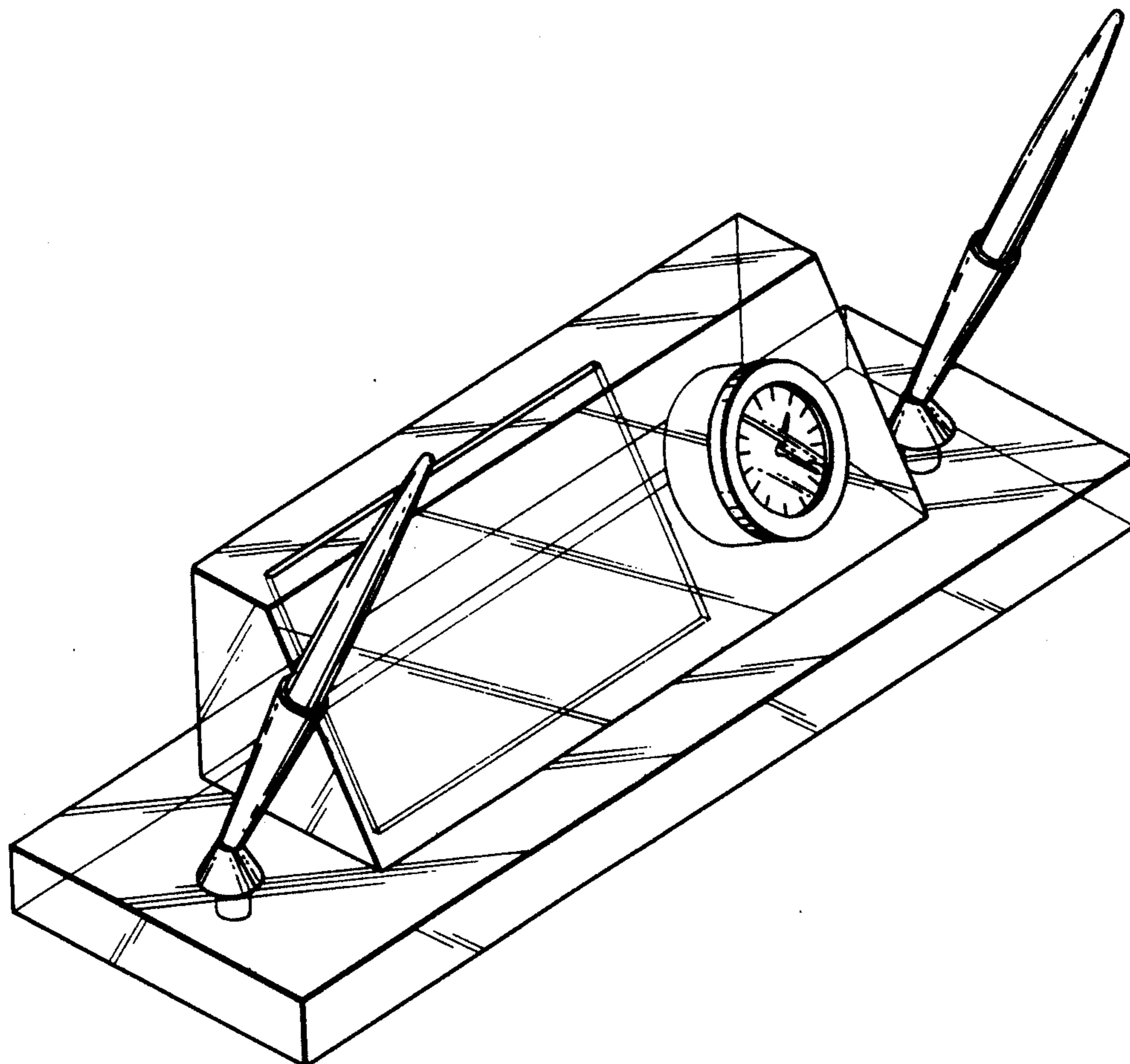


FIG. 1

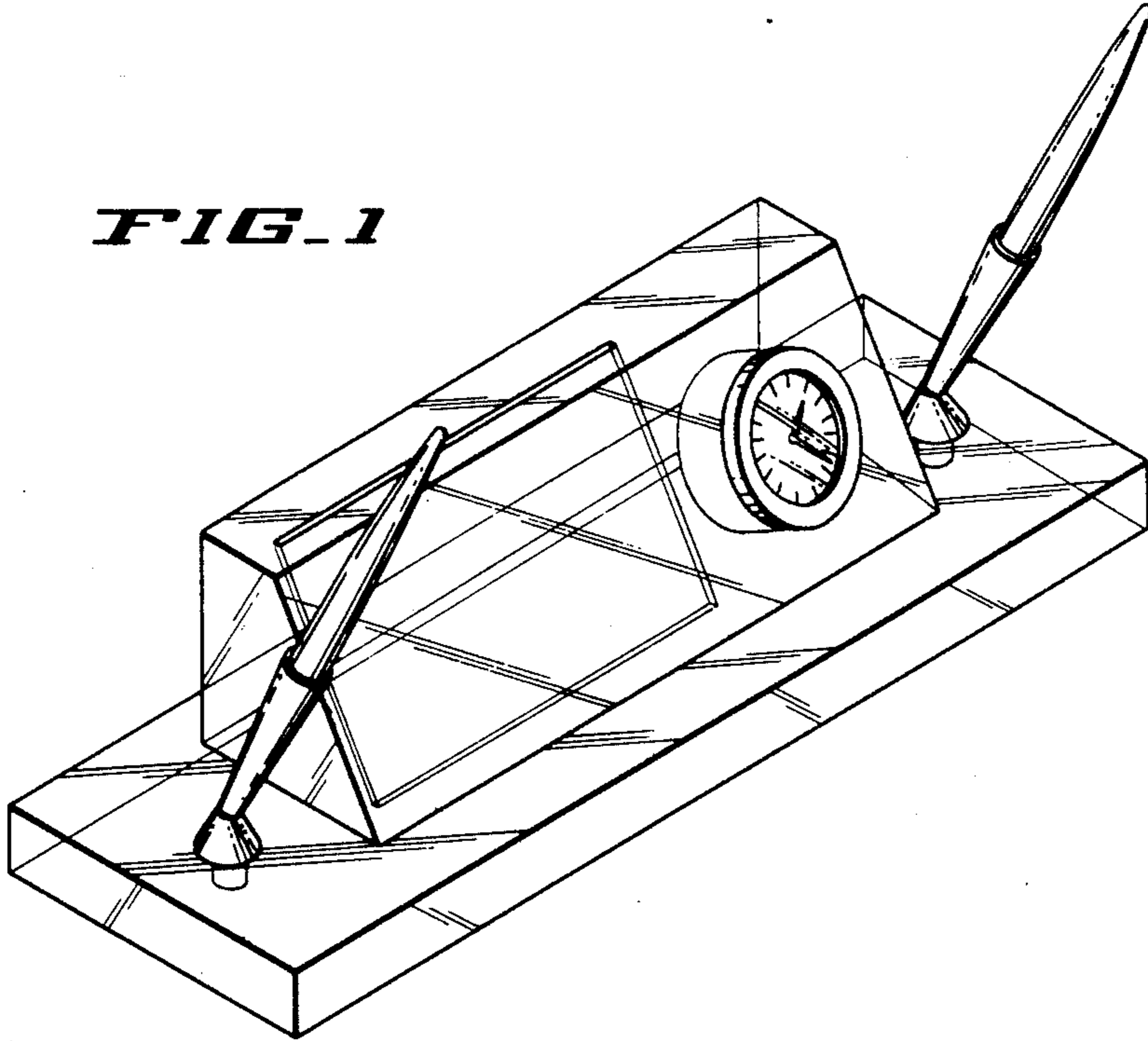


FIG. 2

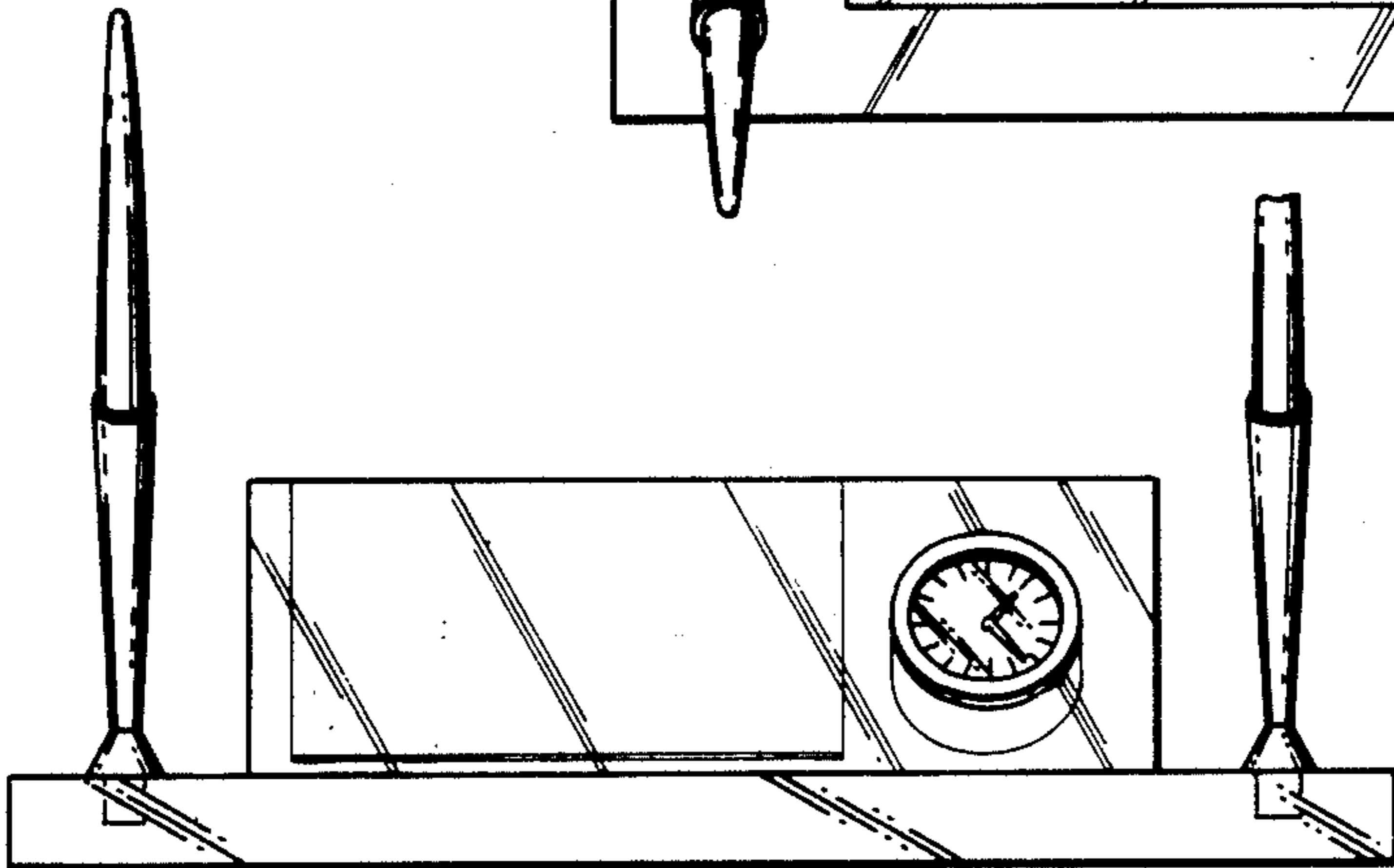
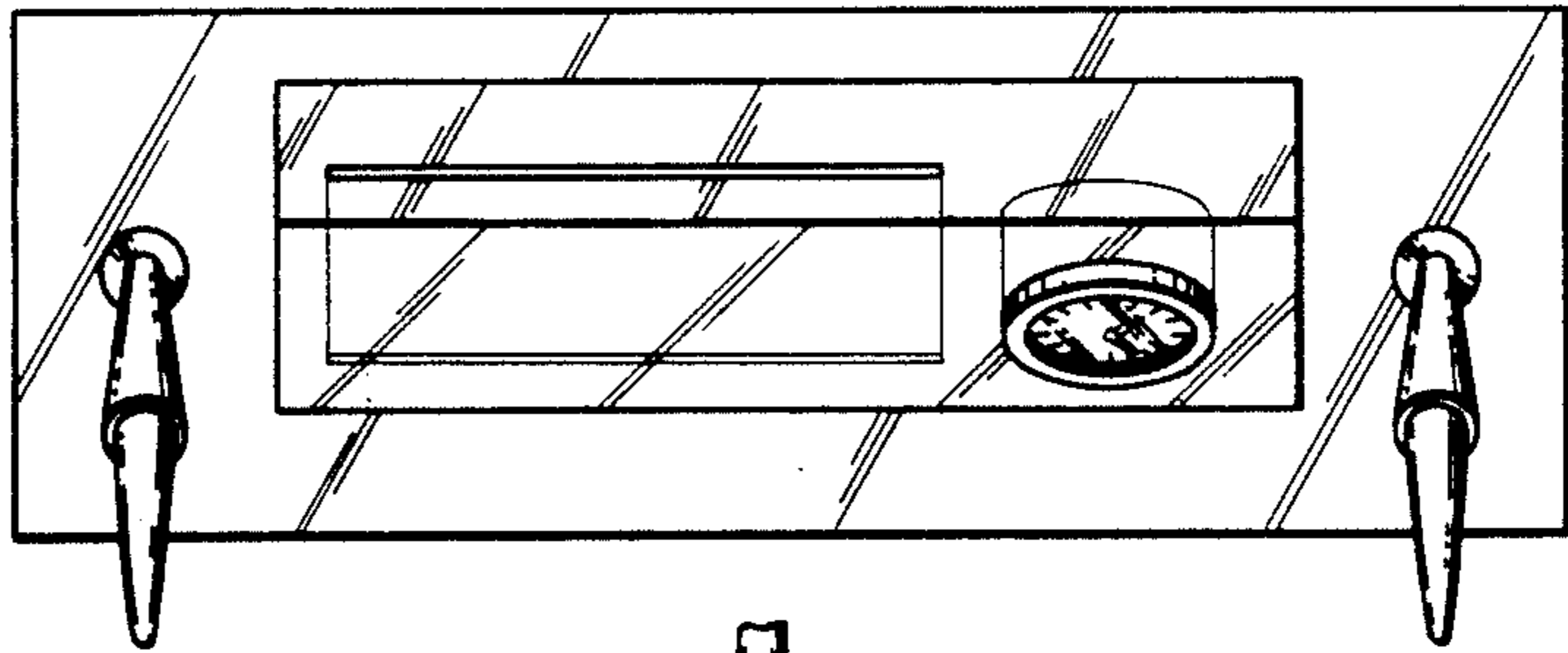


FIG. 3

FIG. 5

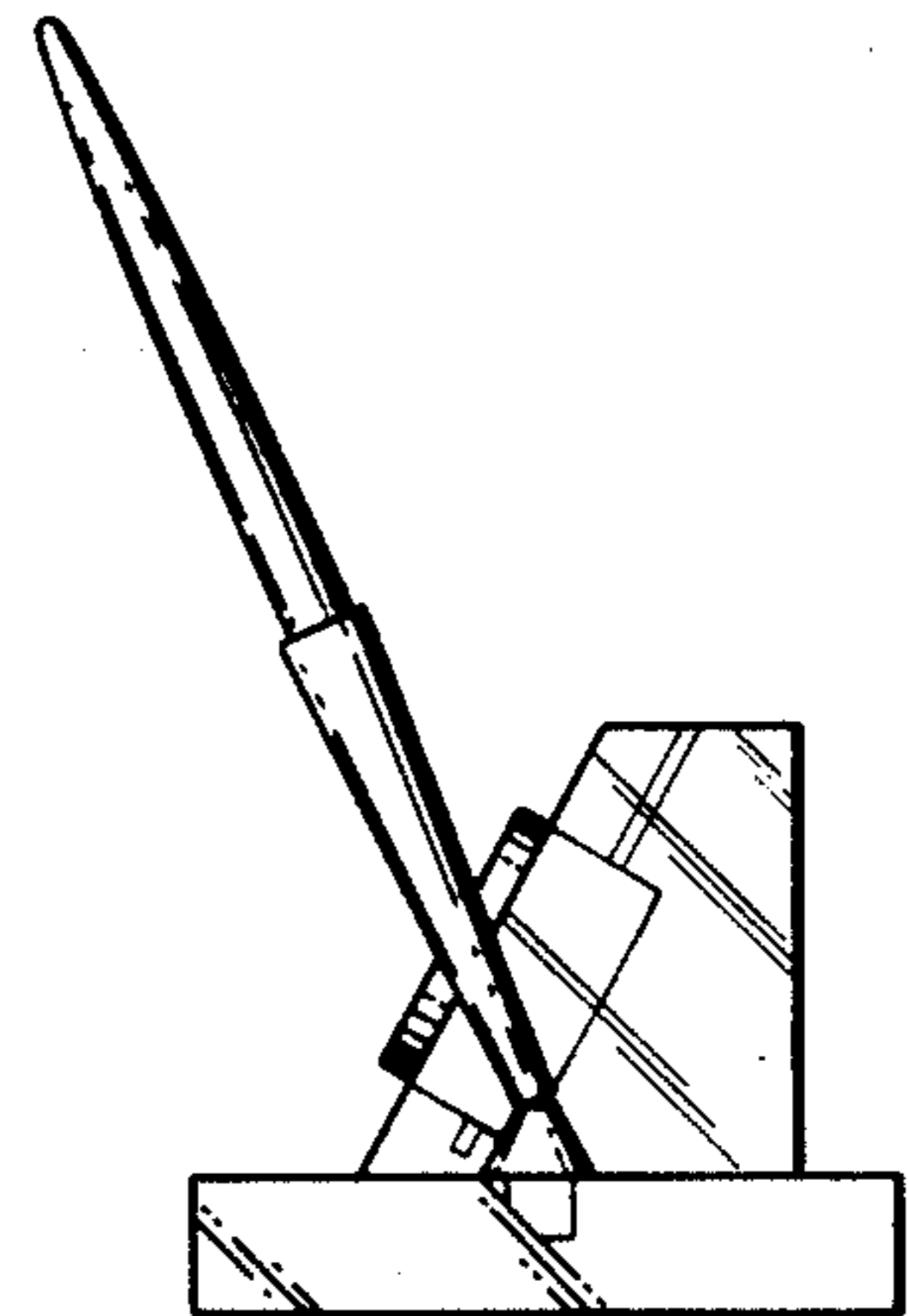
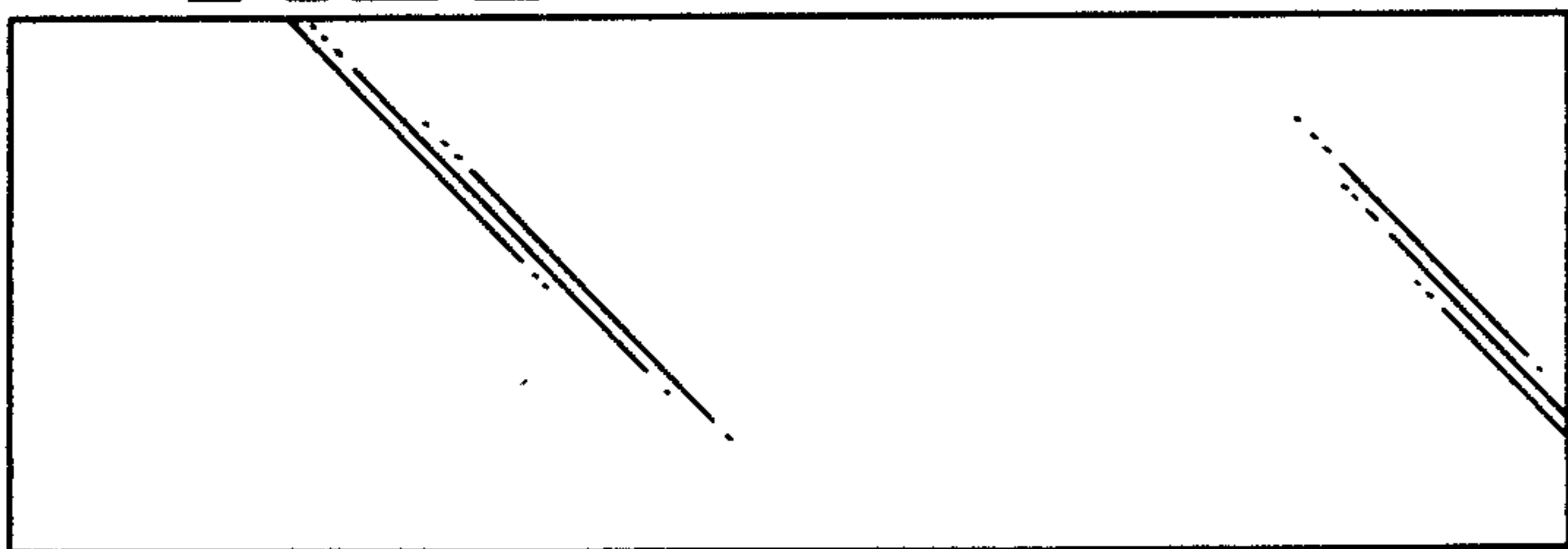


FIG. 4