

[54] BAND SAW BASE

[76] Inventor: John E. Roberts, 6971 S. La., Waite Hill, Ohio 44092

[**] Term: 14 Years

[21] Appl. No.: 763,569

[22] Filed: Jan. 28, 1977

[51] Int. Cl.² D15-09

[52] U.S. Cl. D15/140

[58] Field of Search D15/140, 141; D8/71; 83/743, 744, 745, 466, 796, 797, 798, 411 R

[56] References Cited

U.S. PATENT DOCUMENTS

D. 213,469	3/1969	Kuhlman	D15/140
3,862,583	1/1975	Tsuchiya	83/796
3,881,385	5/1975	Coy	83/466 X

Primary Examiner—Alan P. Douglas
Attorney, Agent, or Firm—Alfred L. Patmore, Jr.

[57] CLAIM

The ornamental design for a band saw base, as shown and described.

DESCRIPTION

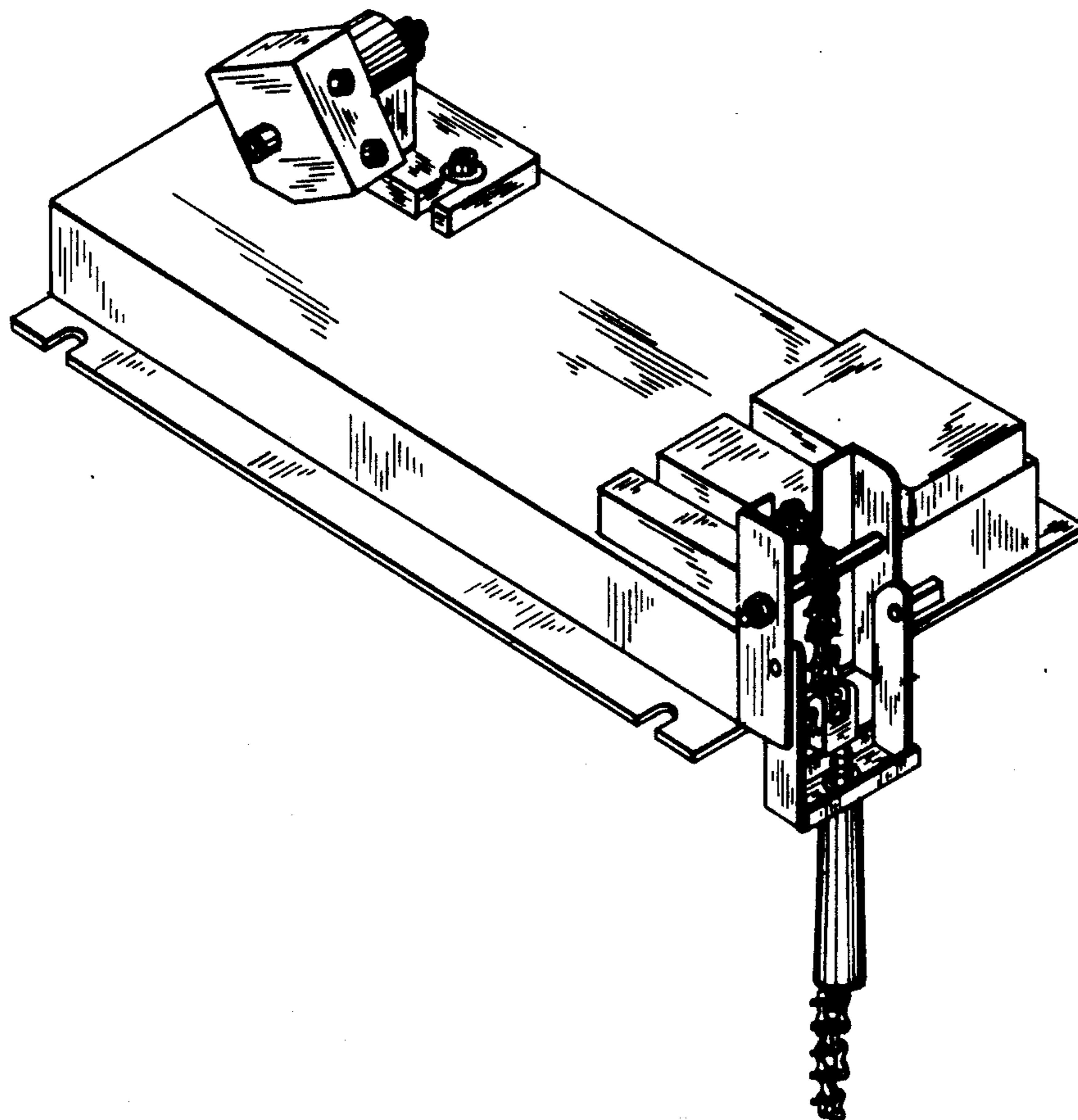
FIG. 1 is a top view of a band saw base embodying my new design;

FIG. 2 is a front elevational view of the band saw base of FIG. 1;

FIG. 3 is an elevational view looking at the left hand side of the band saw base of FIG. 2;

FIG. 4 is a perspective view of a band saw base embodying my new design looking at the rear and left hand side of the base;

FIG. 5 is a perspective view of the base similar to FIG. 4 additionally showing in broken line a band saw mounted and a work piece in place. The broken line portions of FIG. 5 are for illustrative purposes only.



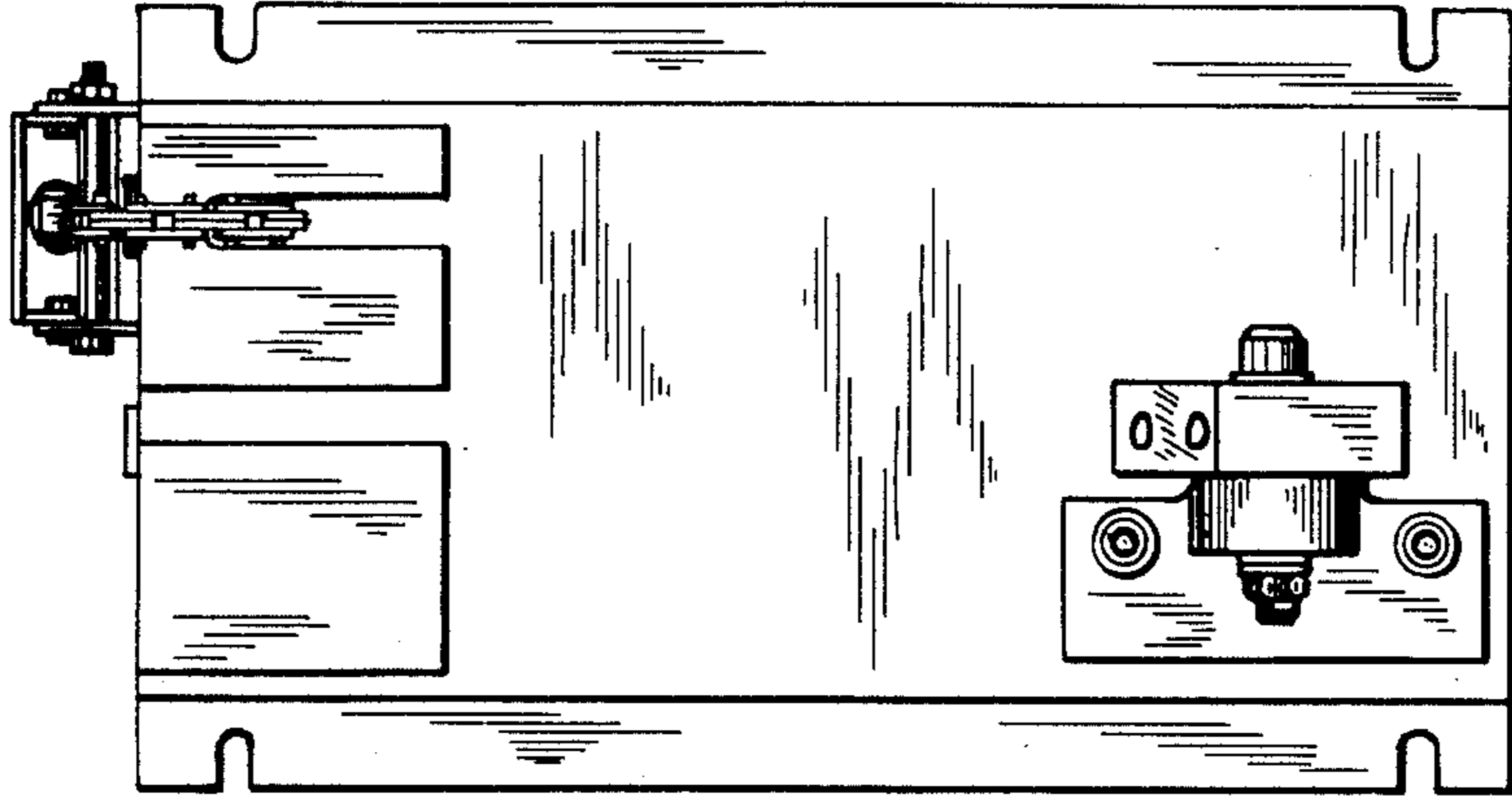


FIG. 1

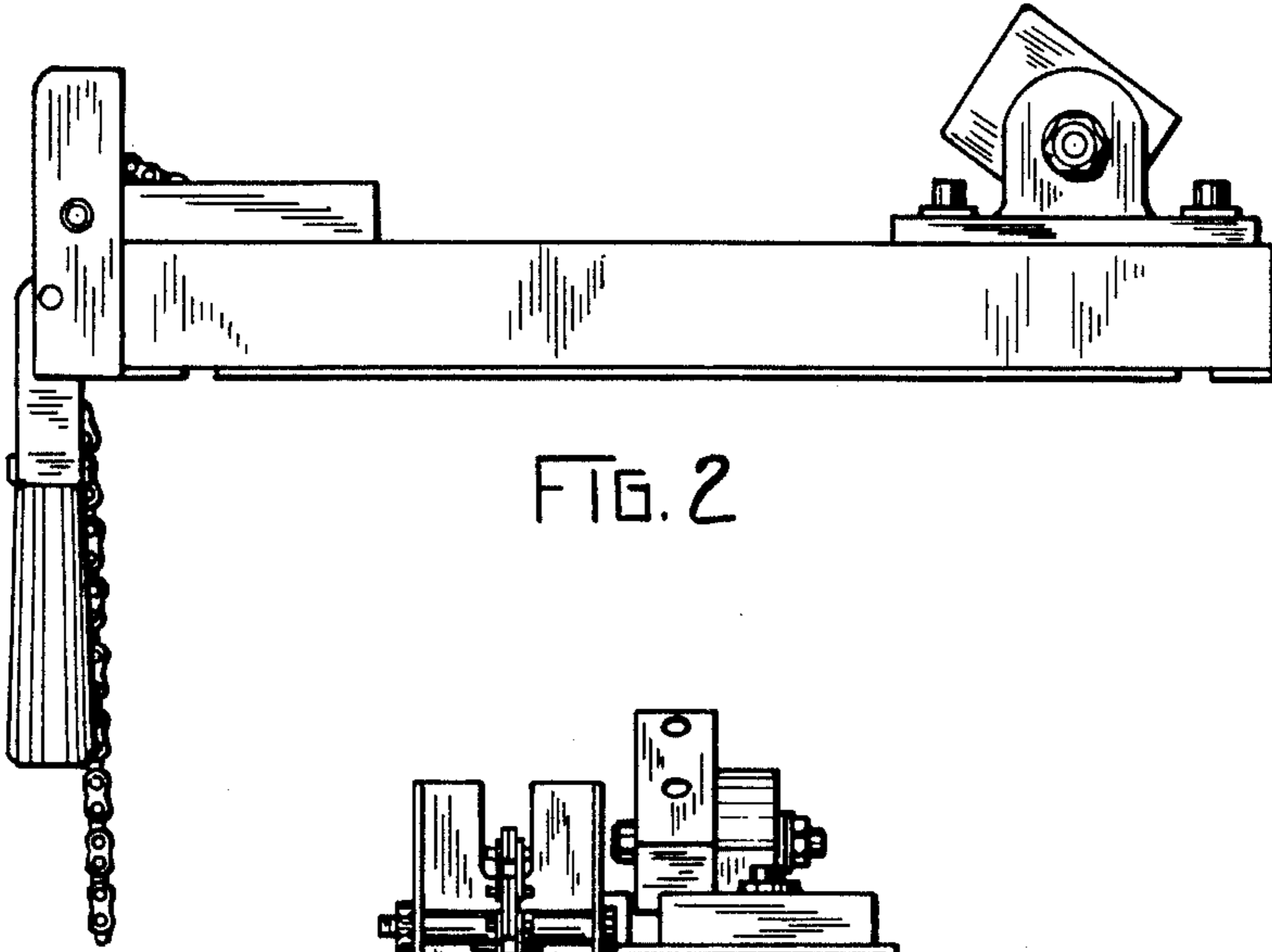


FIG. 2

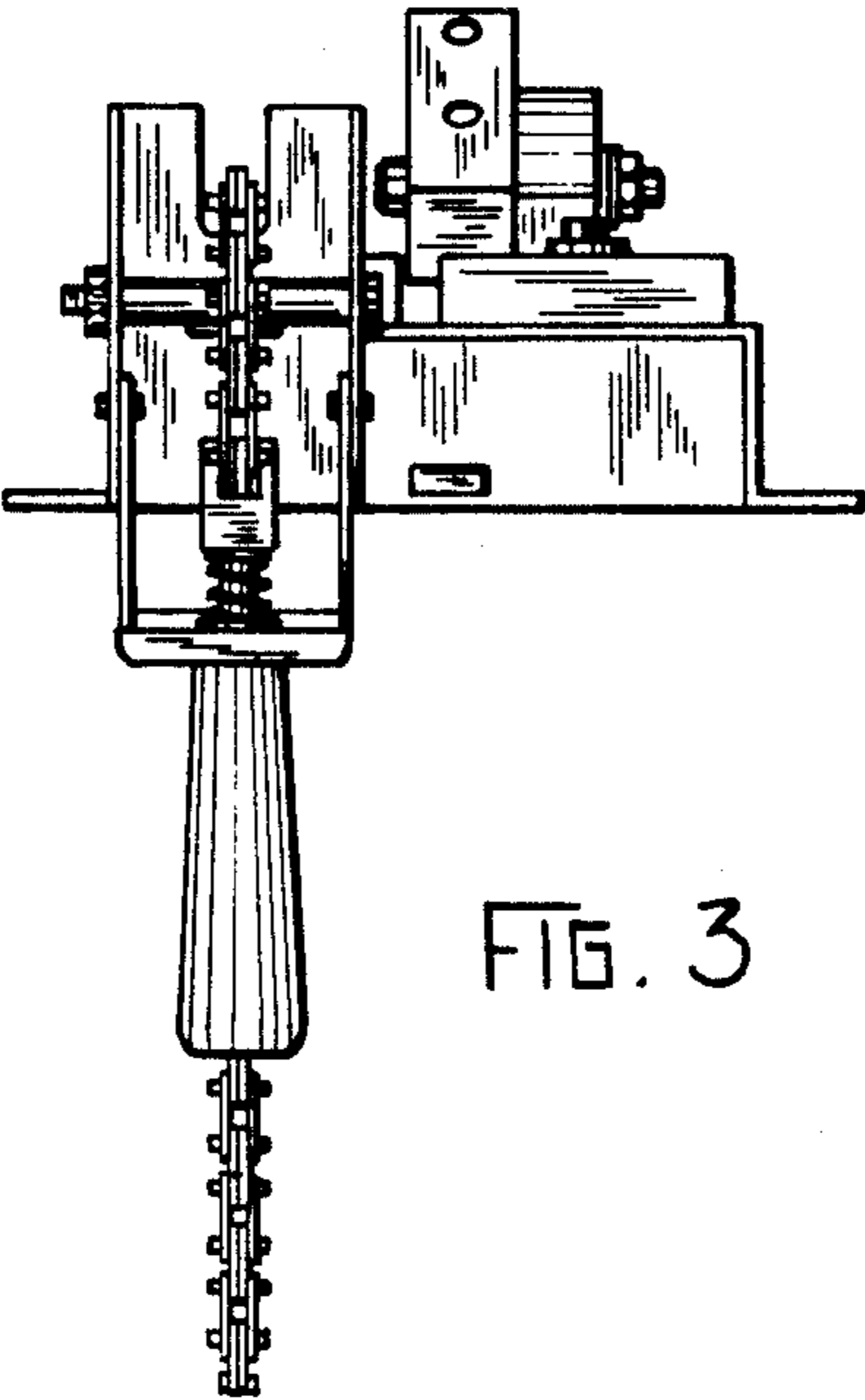


FIG. 3

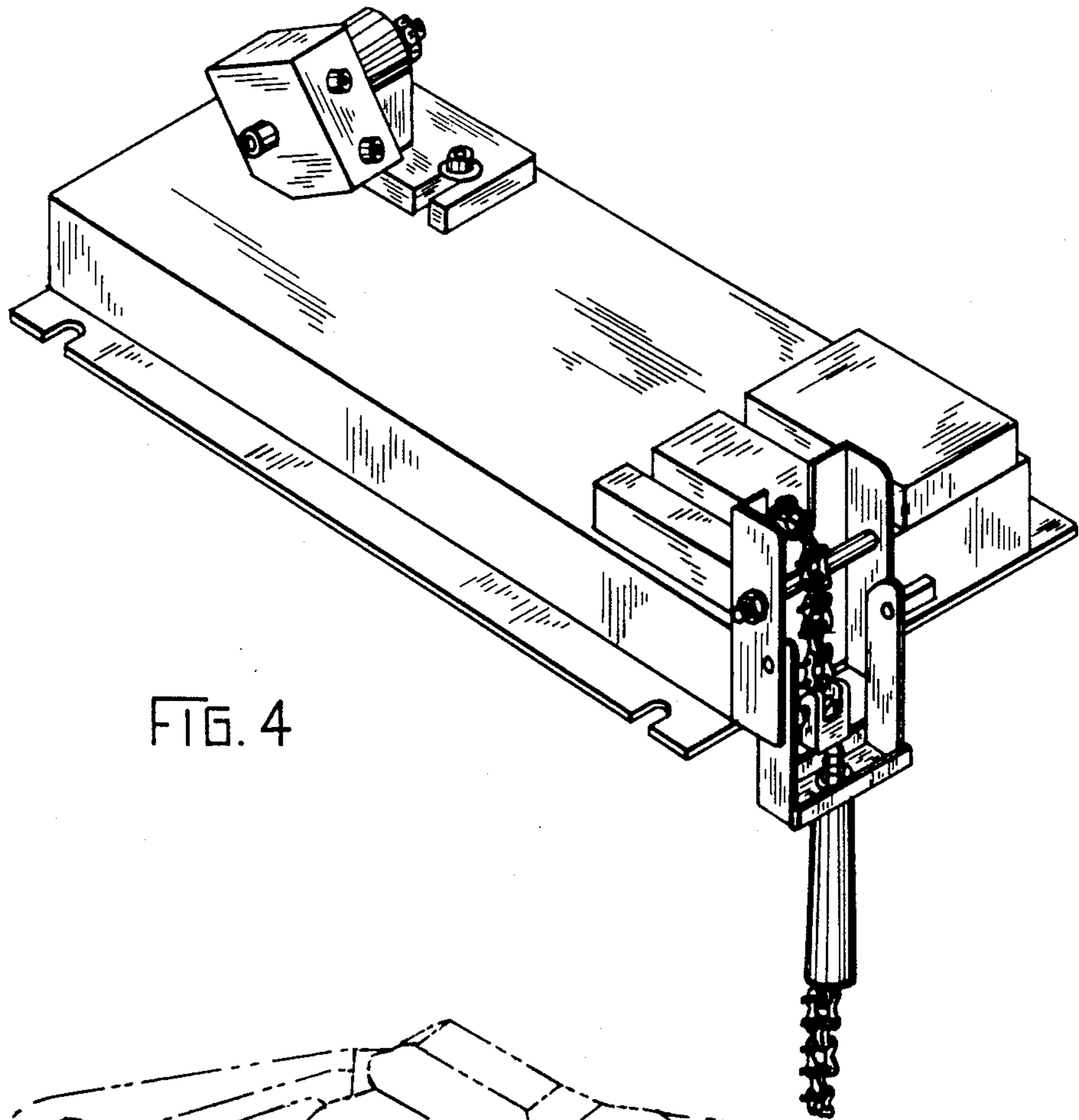


FIG. 4

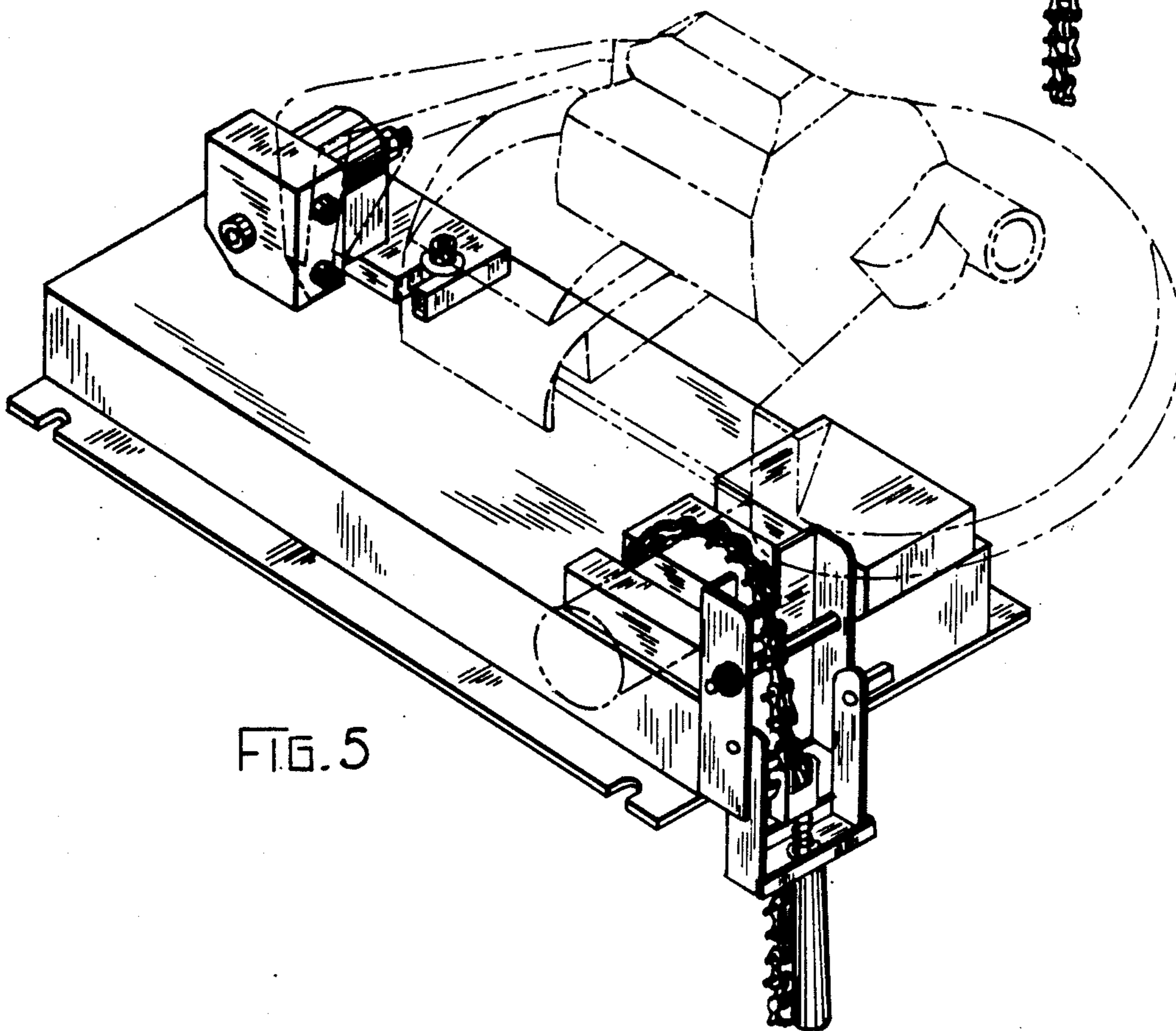


FIG. 5