

[54] BEVERAGE DISPENSER

[76] Inventors: James A. Salmans, 1753 Bayberry La., Coshocton, Ohio 43812; Stephen M. Degnen, 128 E. Sycamore St., Columbus, Ohio 43206

[\*\*] Term: 14 Years

[21] Appl. No.: 697,787

[22] Filed: Jun. 21, 1976

[51] Int. Cl. .... D15-08

[52] U.S. Cl. .... D15/112

[58] Field of Search ..... D15/99, 111, 112, 113; D7/48, 49, 61, 62, 63

[56] References Cited

U.S. PATENT DOCUMENTS

D. 98,485	2/1936	Travis .....	D15/112
D. 157,766	3/1950	Levin .....	D15/99
D. 164,498	9/1951	Hull .....	D15/112
D. 241,219	8/1976	Martin .....	D15/113 X

OTHER PUBLICATIONS

Home Furnishings Daily, 7-14-1975, Sec. 2, p. 24, The Metal Ware Corp. drip coffeemaker.

Primary Examiner—Winifred E. Herrmann  
Attorney, Agent, or Firm—Eugene J. Mahoney

[57] CLAIM

The ornamental design for a beverage dispenser, substantially as shown and described.

DESCRIPTION

FIG. 1 is a front elevational view of a beverage dispenser embodying our new design.

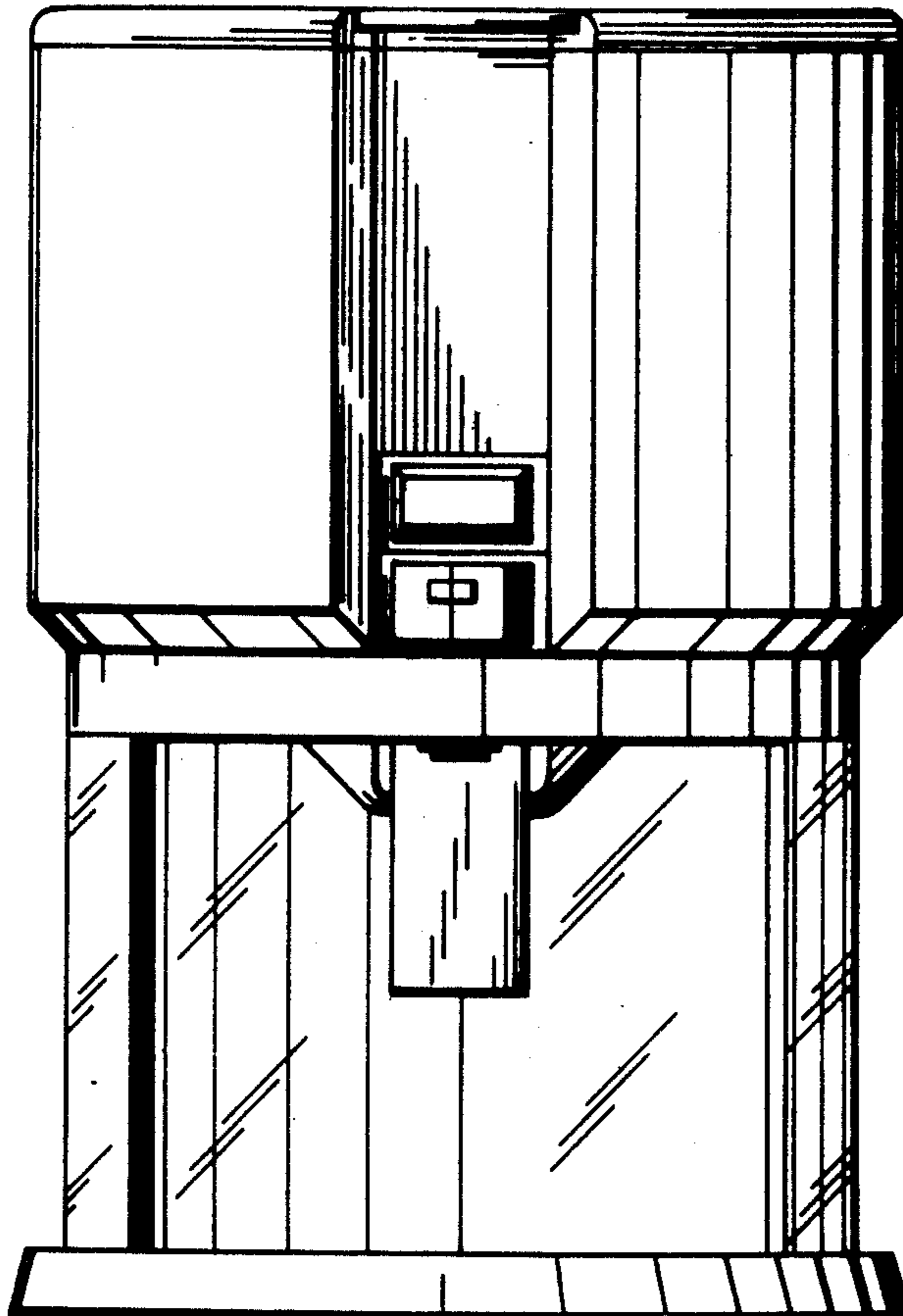
FIG. 2 is a top plan view thereof.

FIG. 3 is a side elevational view thereof as seen from the left side of FIG. 1; the side opposite being a mirror image thereof.

FIG. 4 is a horizontal sectional view taken along line 4-4 of FIG. 3.

FIG. 5 is a rear elevational view thereof.

FIG. 6 is a horizontal sectional view taken along line 6-6 of FIG. 5.



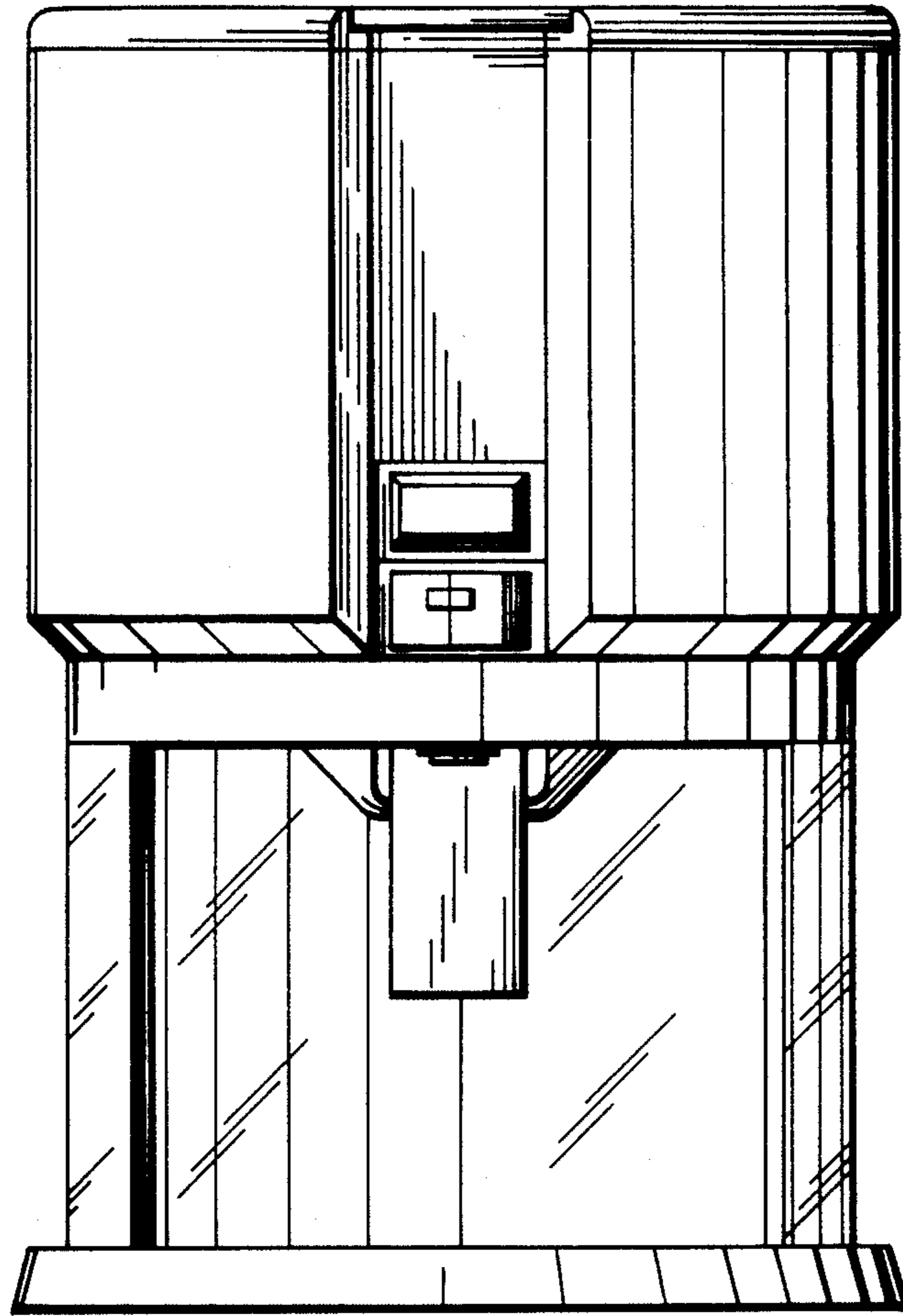


FIG. 1

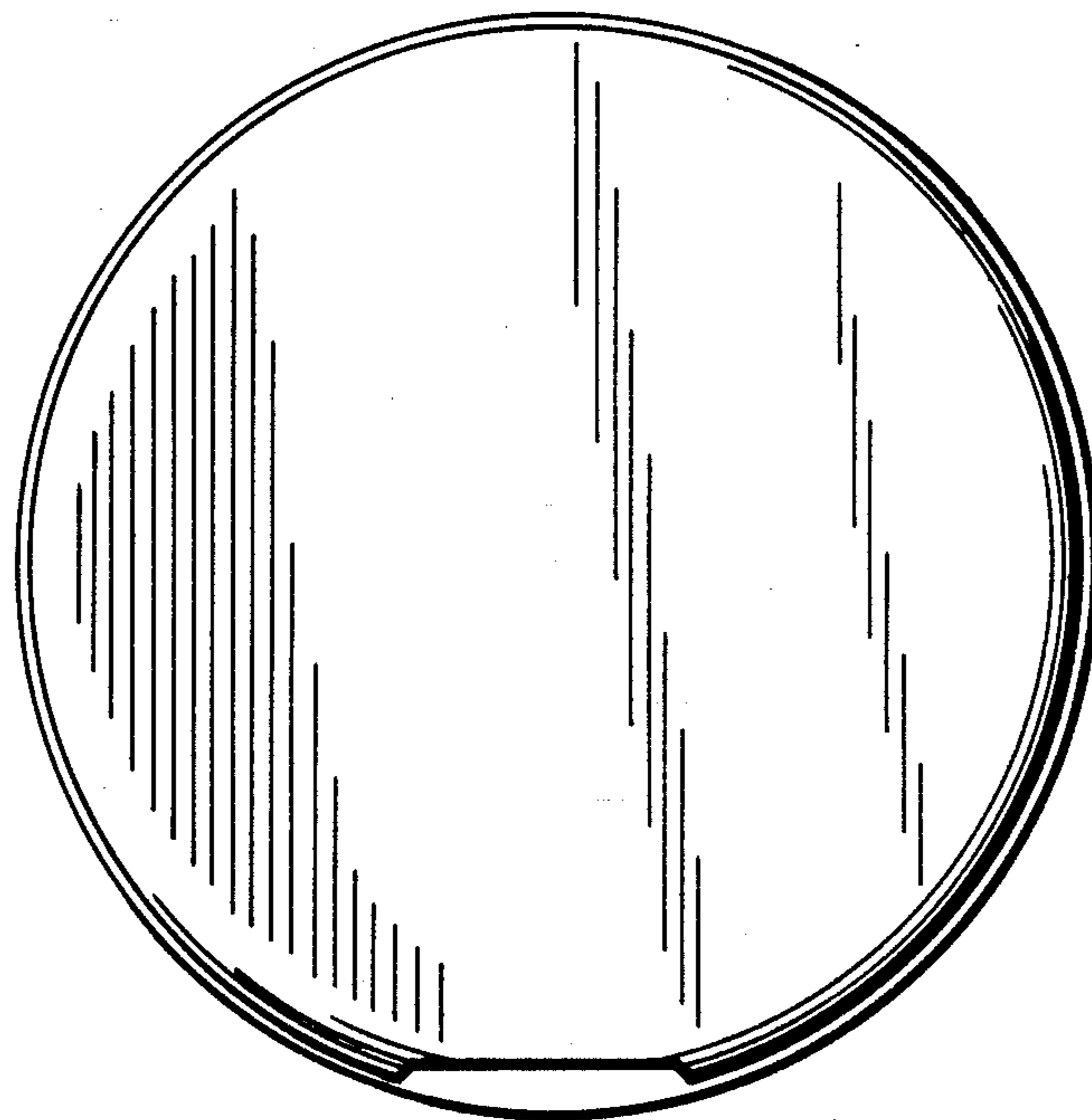
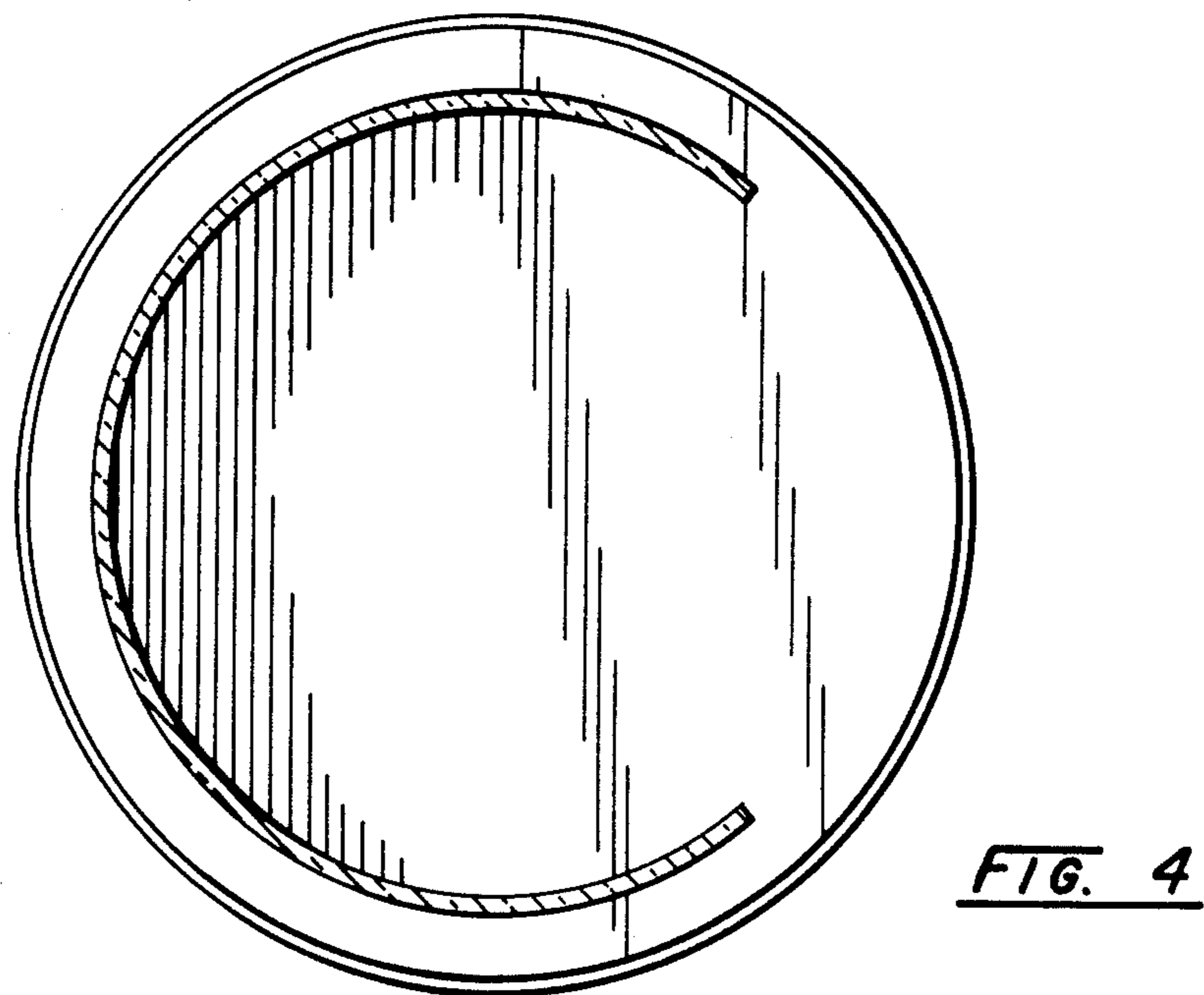
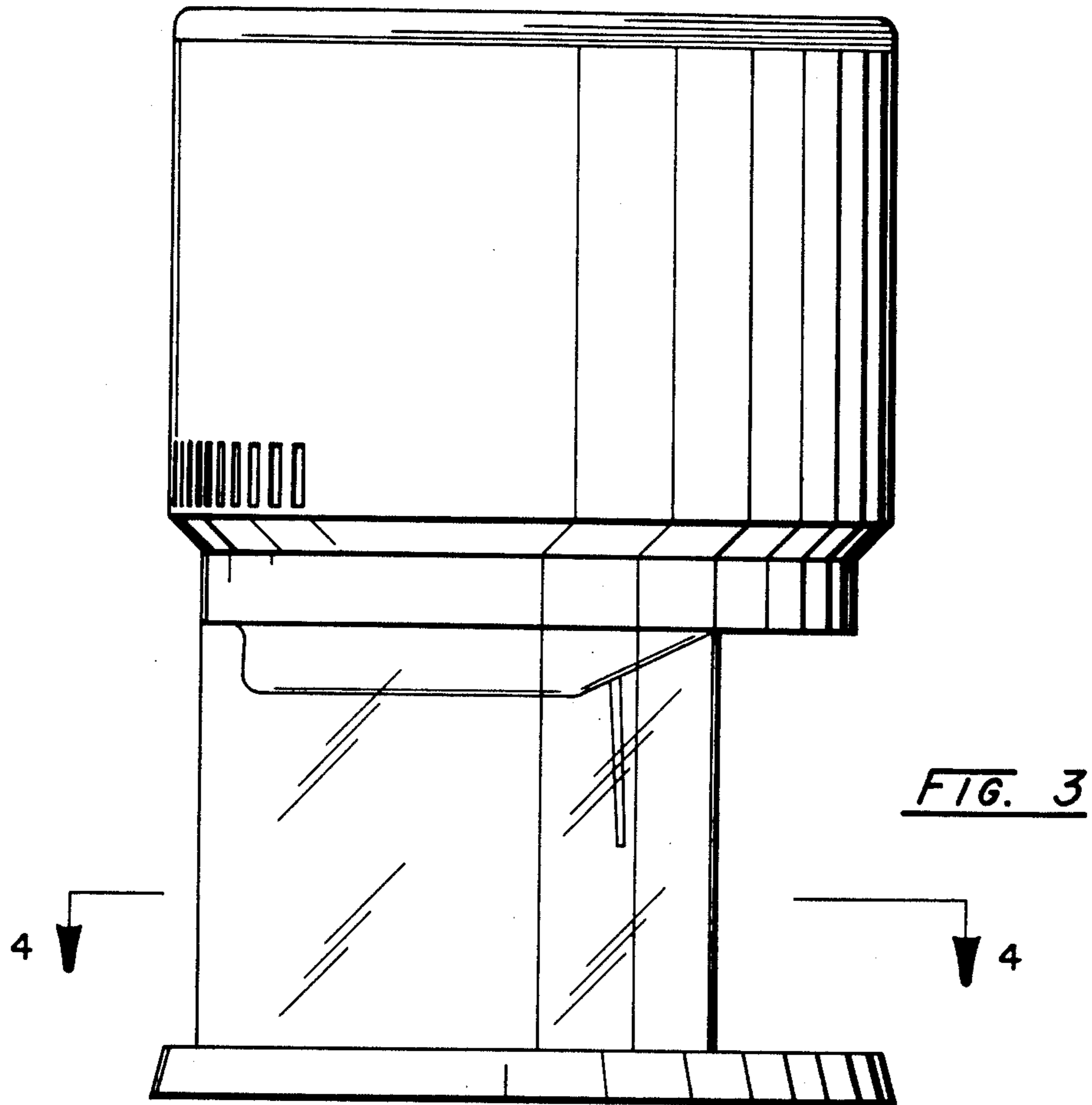


FIG. 2



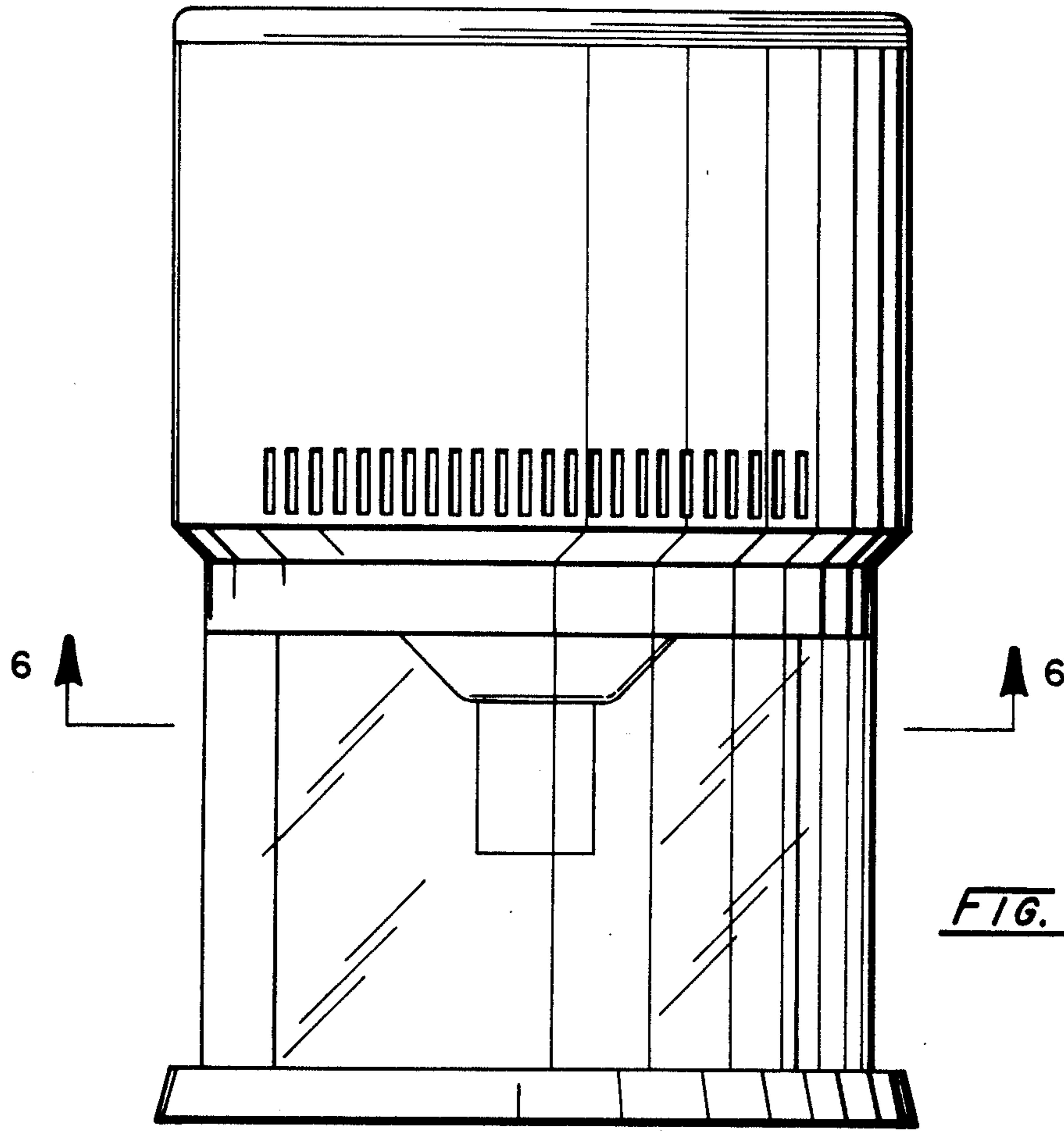


FIG. 5

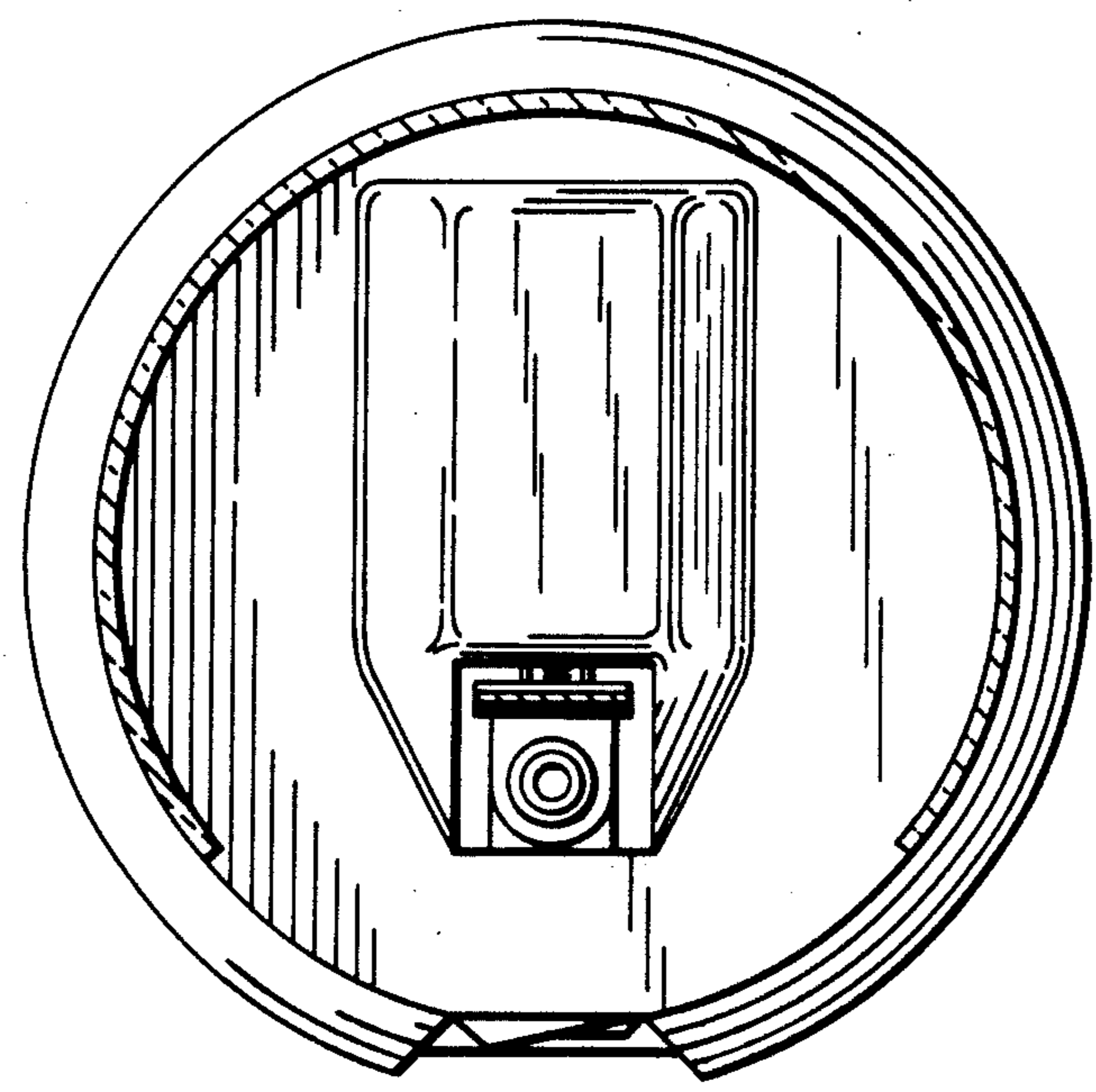


FIG. 6