

[54] **DISPLAY FOR ELECTRONIC EQUIPMENT**

[75] **Inventor:** John H. Pemberton, Cambridge, England

[73] **Assignee:** Sinclair Radionics Limited, St. Ives, England

[**] **Term:** 14 Years

[21] **Appl. No.:** 759,005

[22] **Filed:** Jan. 13, 1977

[30] **Foreign Application Priority Data**

Jul. 22, 1976 [GB] United Kingdom 976595

[51] **Int. Cl.** D14-02

[52] **U.S. Cl.** D14/43

[58] **Field of Search** D14/40, 41, 42, 43, D14/44, 45, 46, 47, 49, 50, 51; D13/40, 41

[56] **References Cited**

U.S. PATENT DOCUMENTS

D. 216,393 12/1969 Sizer et al. D13/41

OTHER PUBLICATIONS

Datamation Mar. 1975- p. 39- CRT Terminal.
Industrial Design Dec. 1963, p. 39- Amplifier item 8.

Primary Examiner—Susan J. Lucas

[57] **CLAIM**

The ornamental design for a display for electronic equipment, as shown and described.

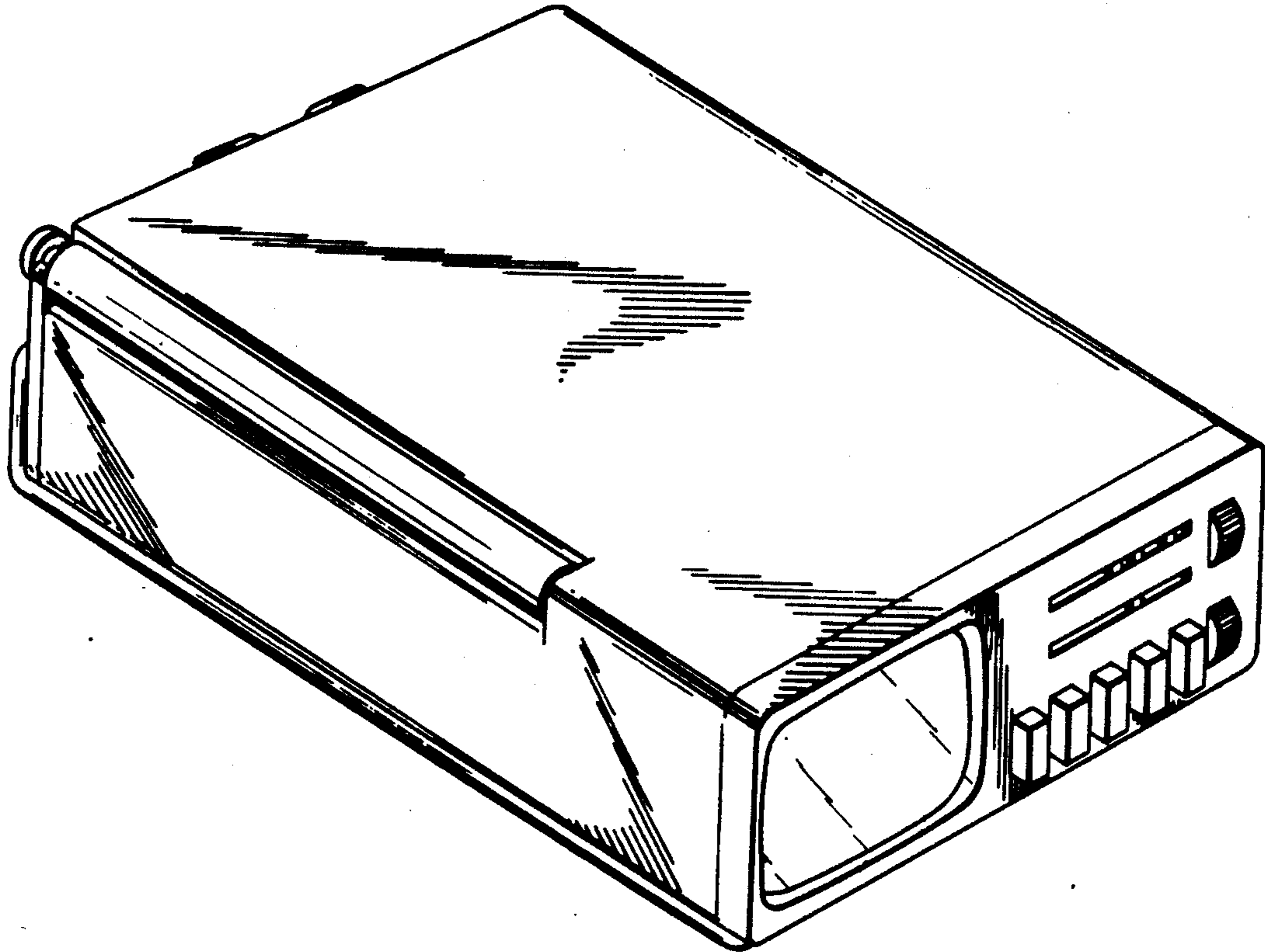
DESCRIPTION

FIG. 1 is a perspective view of a display for electronic equipment showing a first embodiment of my new design.

FIG. 2 is a perspective view from below of the first embodiment.

FIG. 3 is a perspective view from above of a second embodiment.

FIG. 4 is a perspective view from below of the second embodiment.



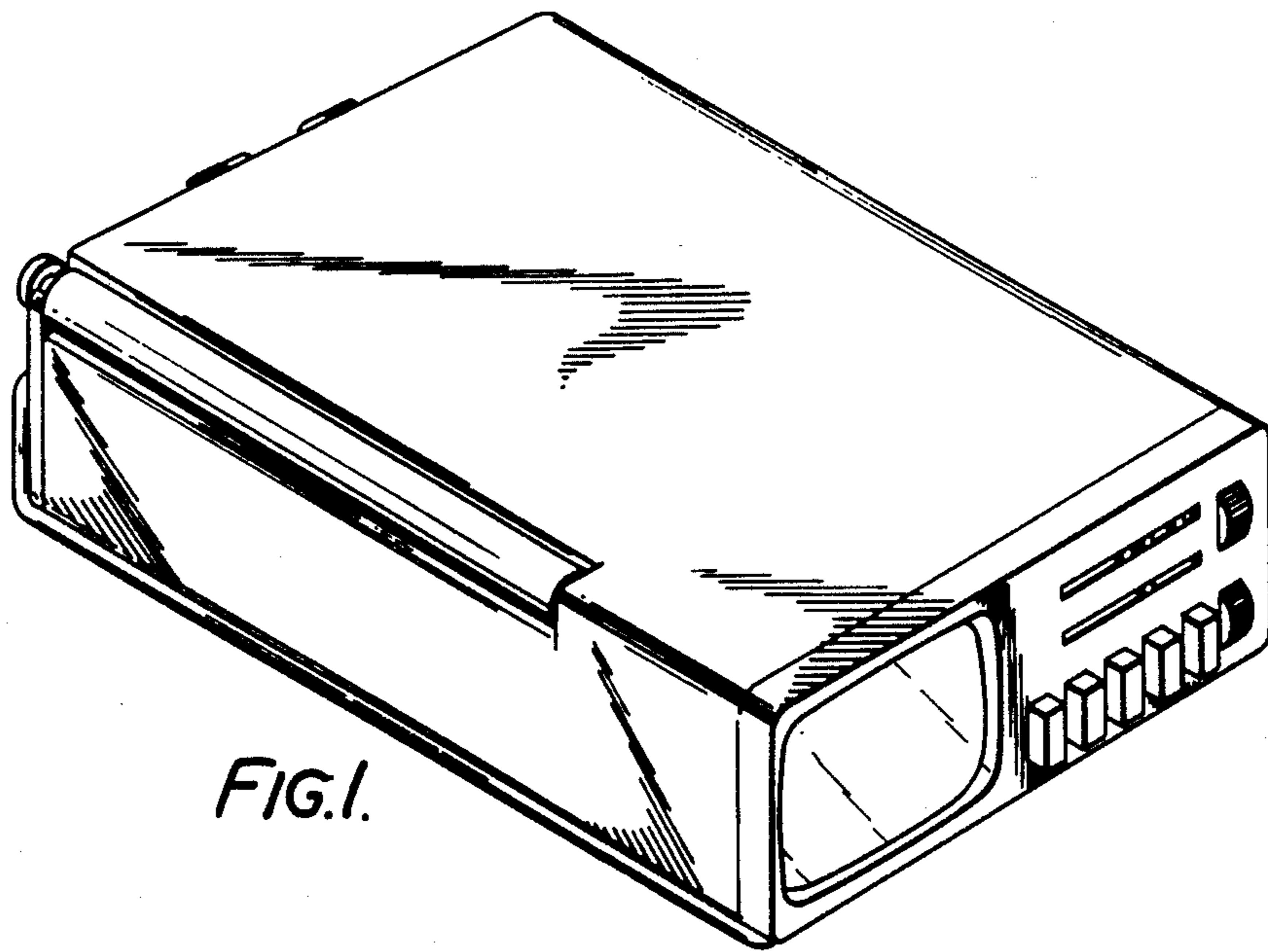


FIG. 1.

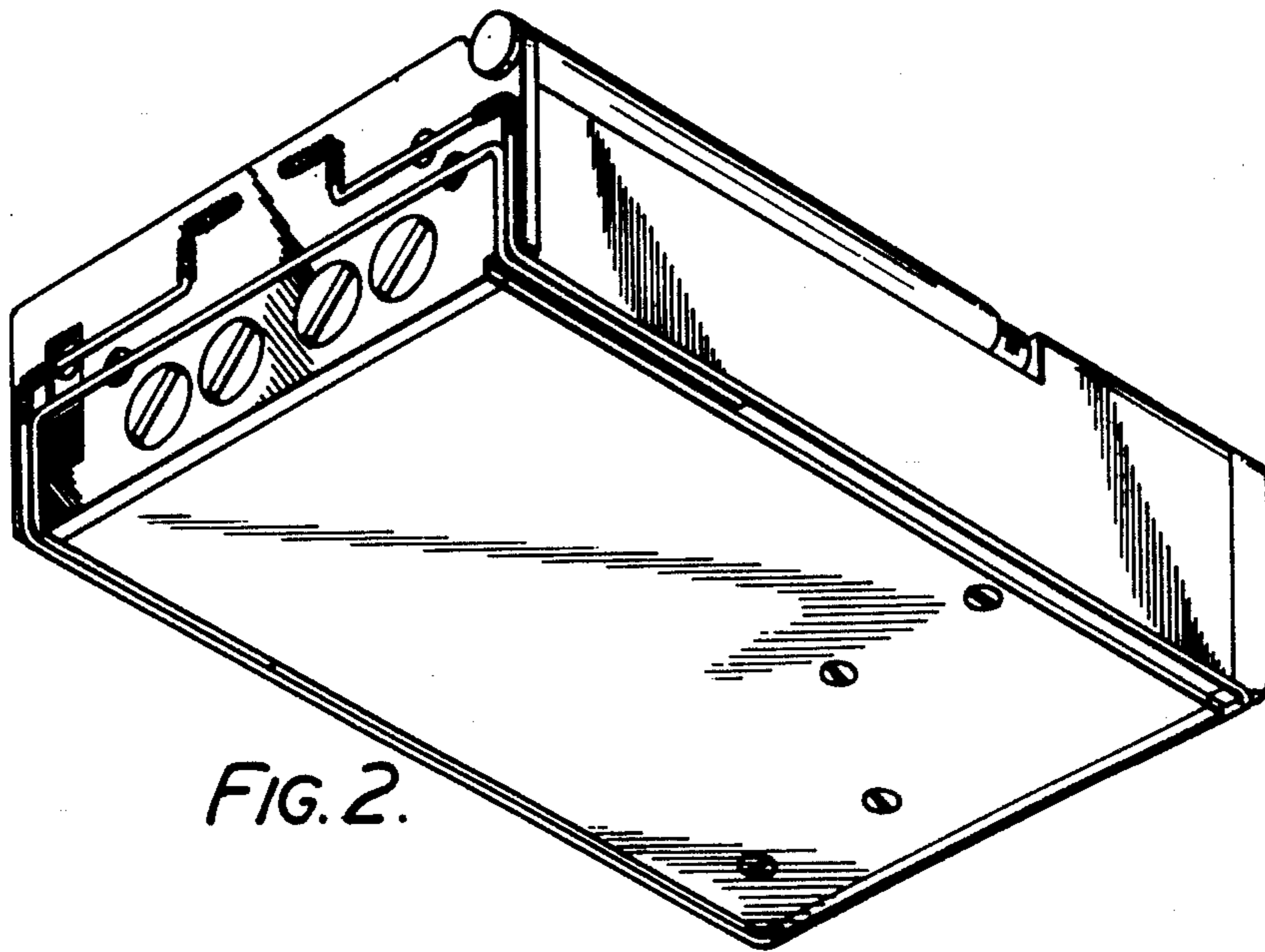


FIG. 2.

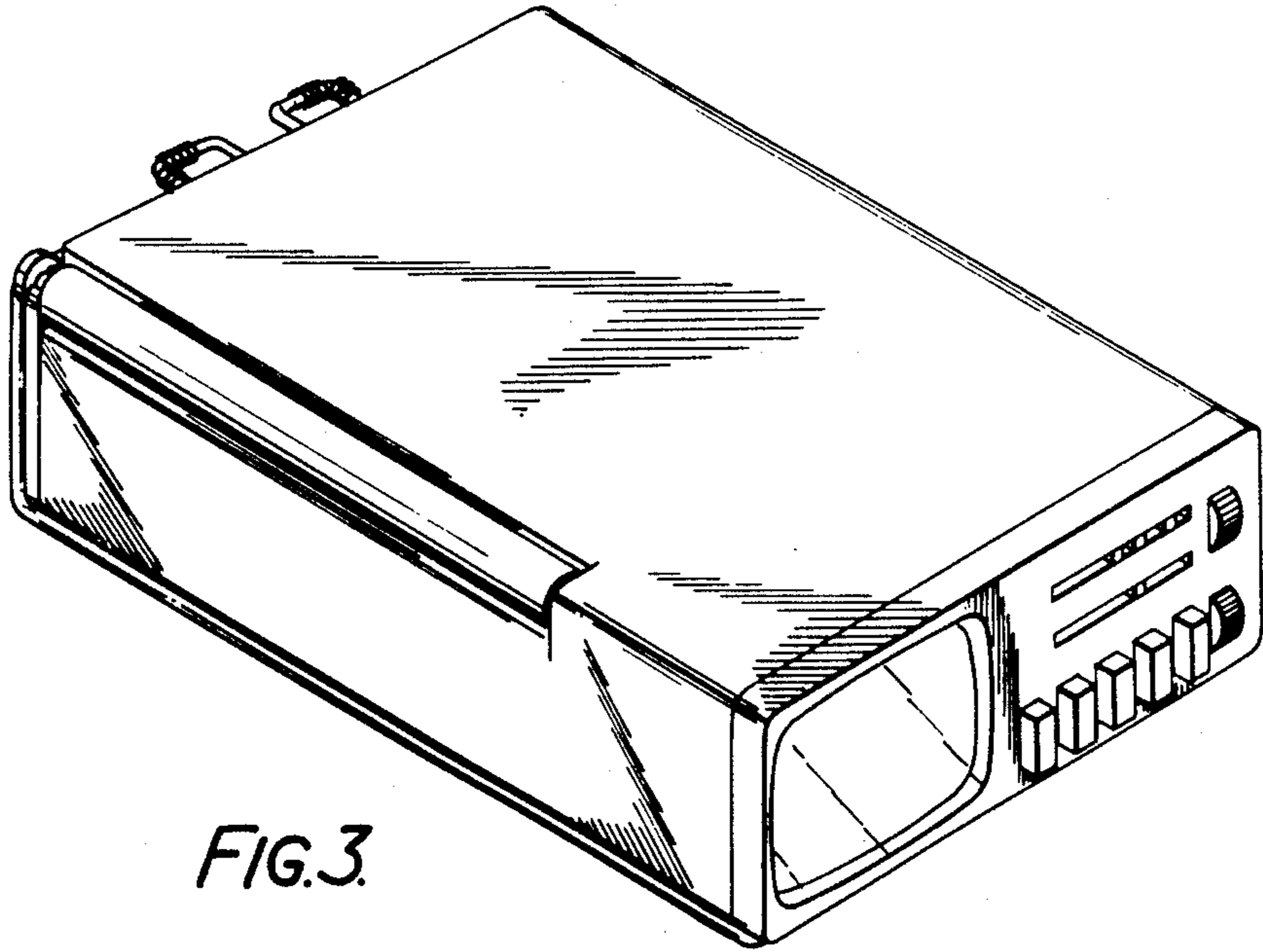


FIG. 3.

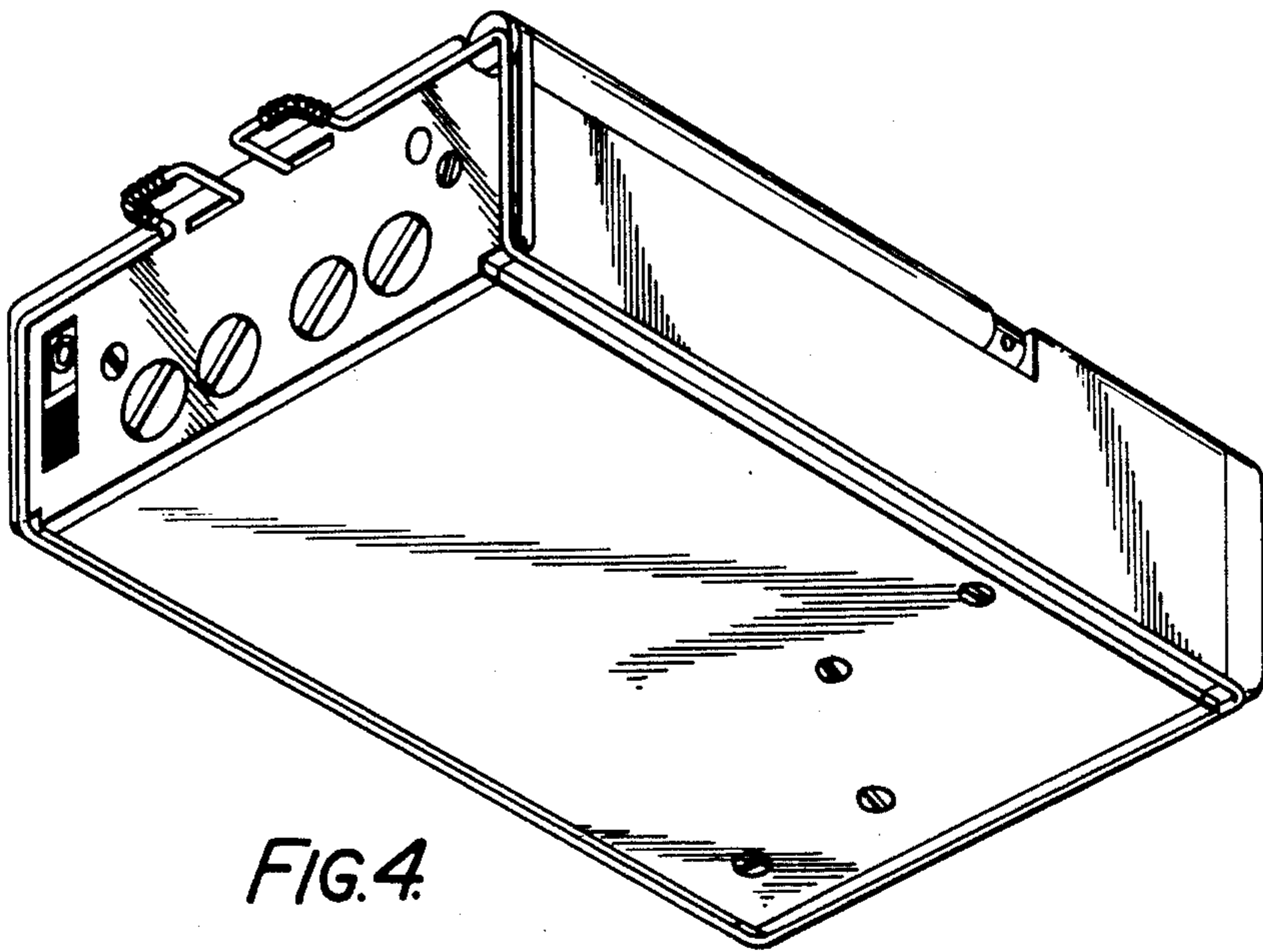


FIG. 4.