

[54] ELECTRODE ASSEMBLY

[75] Inventors: Michael J. Kubrin, Chardon; Gerald R. Pohto, Mentor, both of Ohio

[73] Assignee: Diamond Shamrock Corporation

[\*\*] Term: 14 Years

[21] Appl. No.: 718,059

[22] Filed: Aug. 26, 1976

[51] Int. Cl. .... D13-03

[52] U.S. Cl. .... D13/99

[58] Field of Search ..... D13/12, 21, 99; 204/242, 252, 258, 266, 278, 286, 288, 290, 297 R

[56] References Cited

U.S. PATENT DOCUMENTS

3,527,688	9/1970	Giacopelli .....	204/242
3,856,653	12/1974	Rogers et al. ....	204/286
3,932,261	1/1976	Kircher et al. ....	204/242 X
3,963,595	6/1976	Danna .....	204/258

Primary Examiner—Susan J. Lucas  
Attorney, Agent, or Firm—Roy Davis

[57] CLAIM

The ornamental design for an electrode assembly, as shown and described.

DESCRIPTION

FIG. 1 is a front elevational view of the electrode assembly showing our new design.

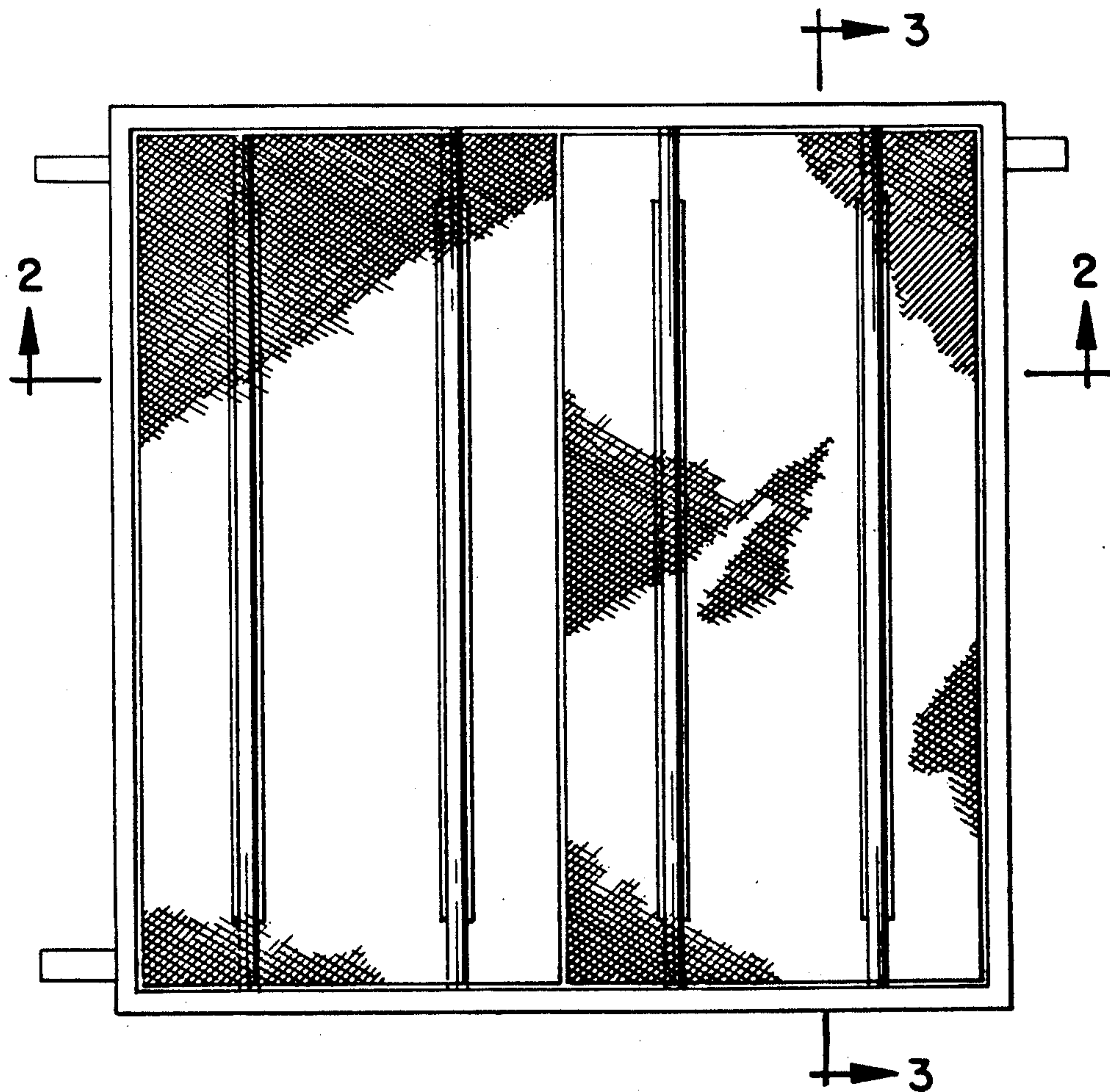
FIG. 2 is a sectional view taken substantially along line 2—2 of FIG. 1.

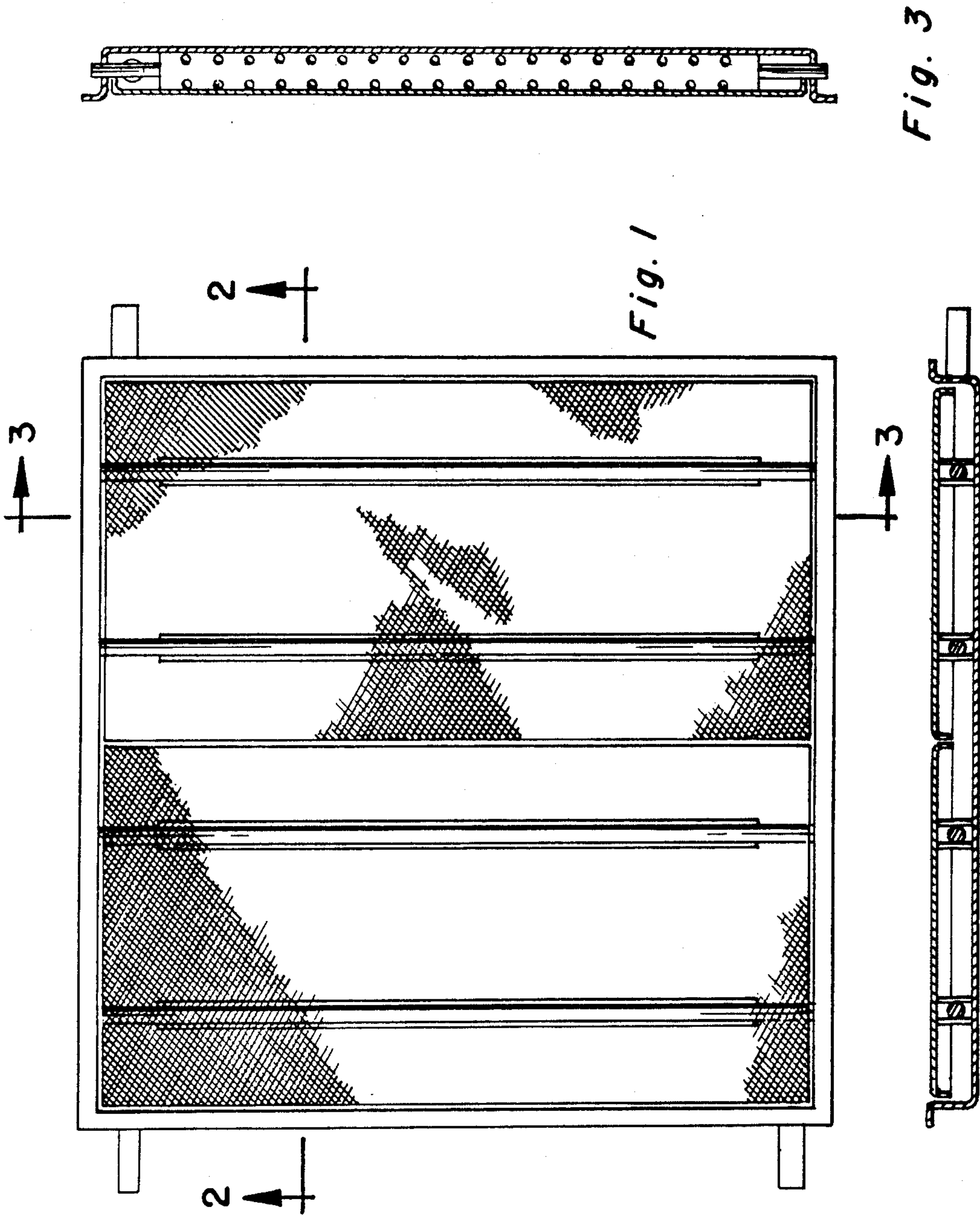
FIG. 3 is a sectional view taken substantially along line 3—3 of FIG. 1.

FIG. 4 is a front elevational view of a larger embodiment of the electrode assembly according to FIG. 1.

The cross hatching in FIGS. 1 and 4 is partially shown for convenience of illustration, it being understood that the cross hatching is uniformly continuous over the entire surface of the areas on which it appears.

The rear and sides of the assembly consist of a single piece of material having the contour shown in the cross-sectional views and a plain unornamented exterior surface.







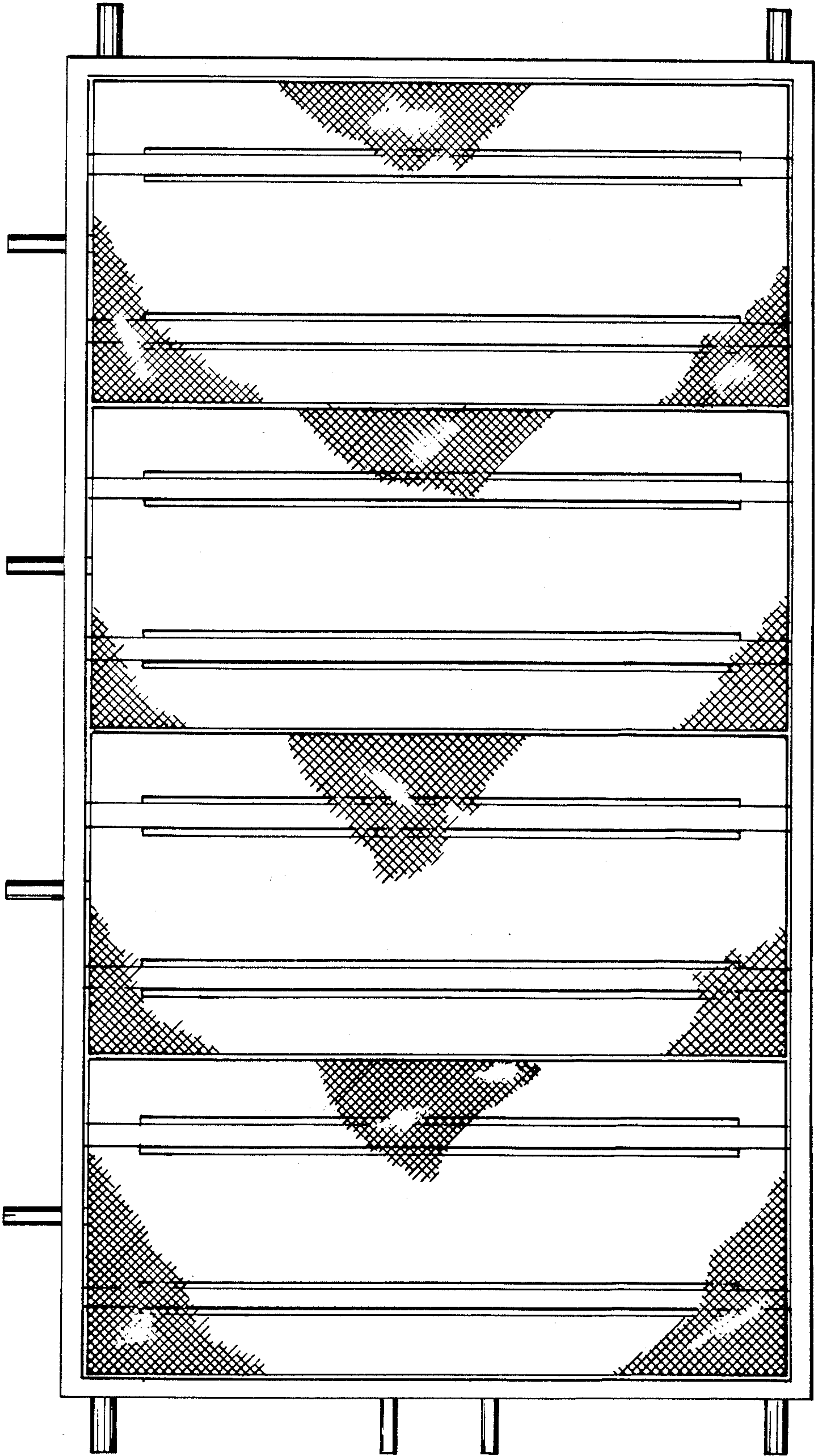


Fig. 4