

[54] DIGITAL CLOCK

[76] Inventor: William Sklaroff, 722 E. Conshohocken State Rd., Penn Valley, Pa. 19072

[**] Term: 14 Years

[21] Appl. No.: 748,847

[22] Filed: Dec. 8, 1976

[51] Int. Cl. D10-01

[52] U.S. Cl. D10/15; D14/73

[58] Field of Search D10/1, 2, 15, 24-27; D14/73; 58/50 R, 50 A, 152 R, 53-56

[56] References Cited

U.S. PATENT DOCUMENTS

D. 228,567 10/1973 Nagata D10/15

D. 228,938 10/1973 Watanabe D10/15
D. 229,212 11/1973 Nagata D10/15
D. 235,516 6/1975 Nagata D10/15

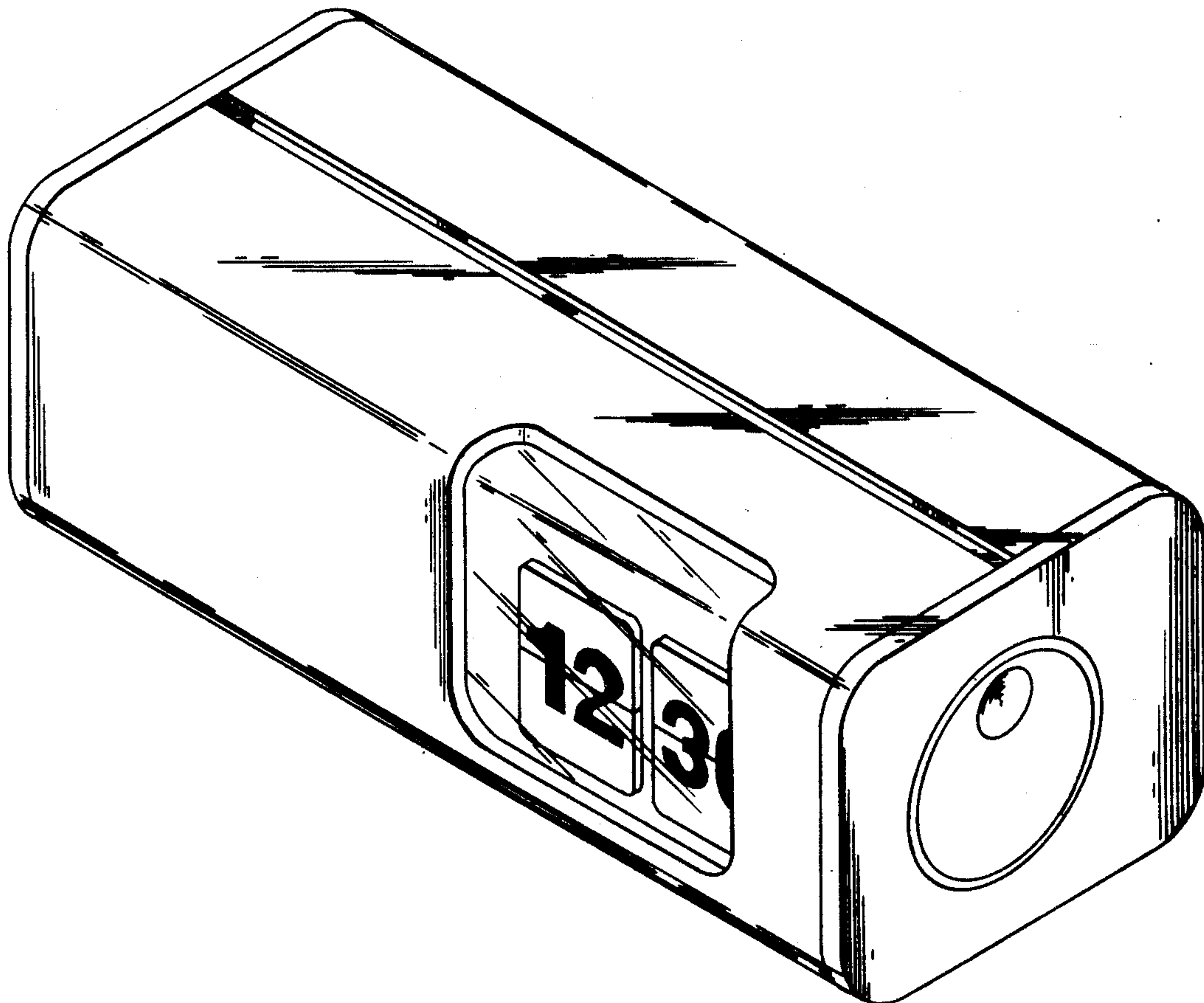
Primary Examiner—Nelson C. Holtje
Attorney, Agent, or Firm—A. D. Caesar

[57] CLAIM

The ornamental design for a digital clock, substantially as shown.

DESCRIPTION

FIG. 1 is a top right front perspective view of a digital clock showing my new design;
FIG. 2 is a front elevational view thereof;
FIG. 3 is a rear elevational view thereof;
FIG. 4 is a top plan view thereof;
FIG. 5 is a bottom plan view thereof;
FIG. 6 is a right side elevational view thereof;
FIG. 7 is a left side elevational view thereof.



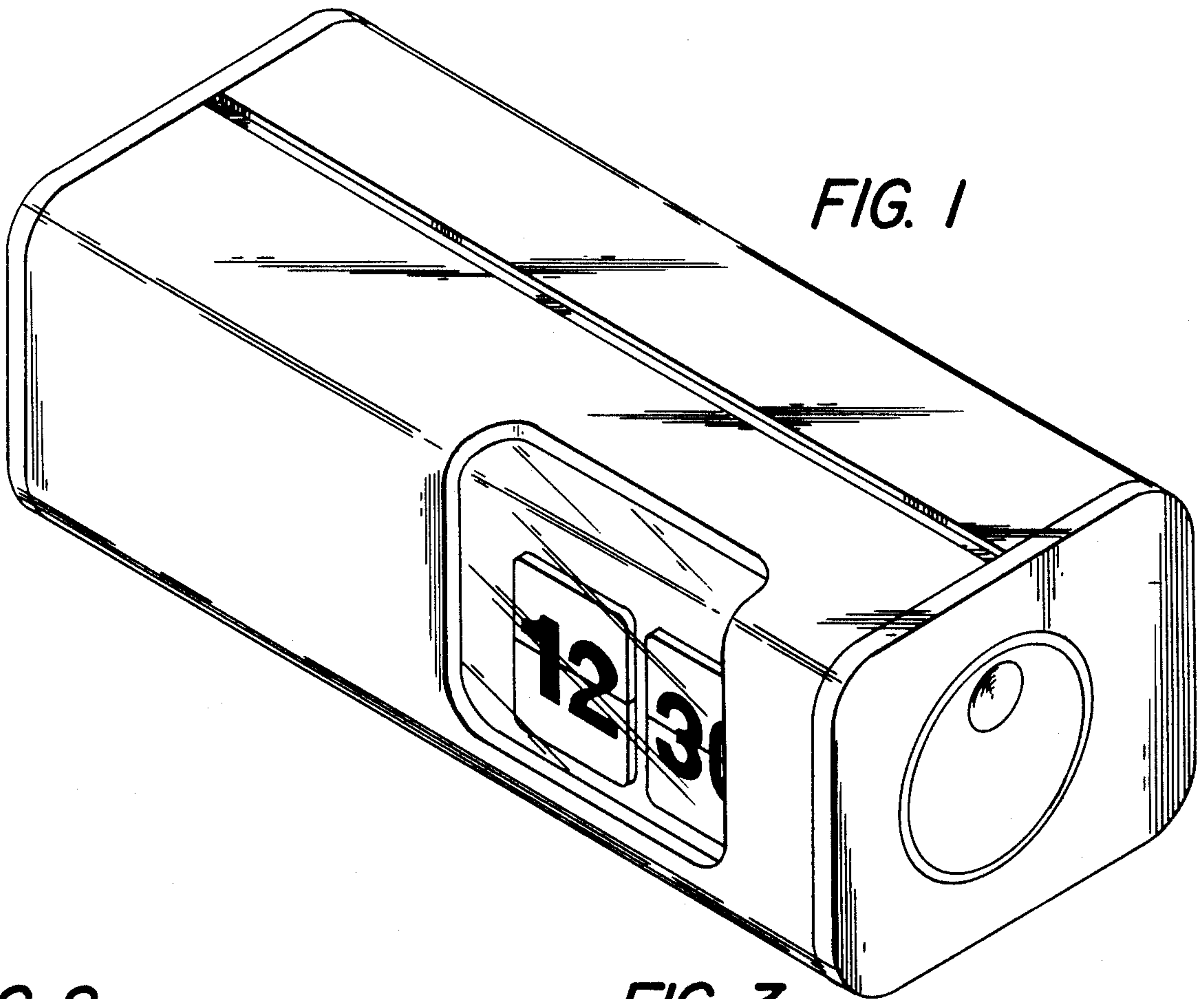


FIG. 2

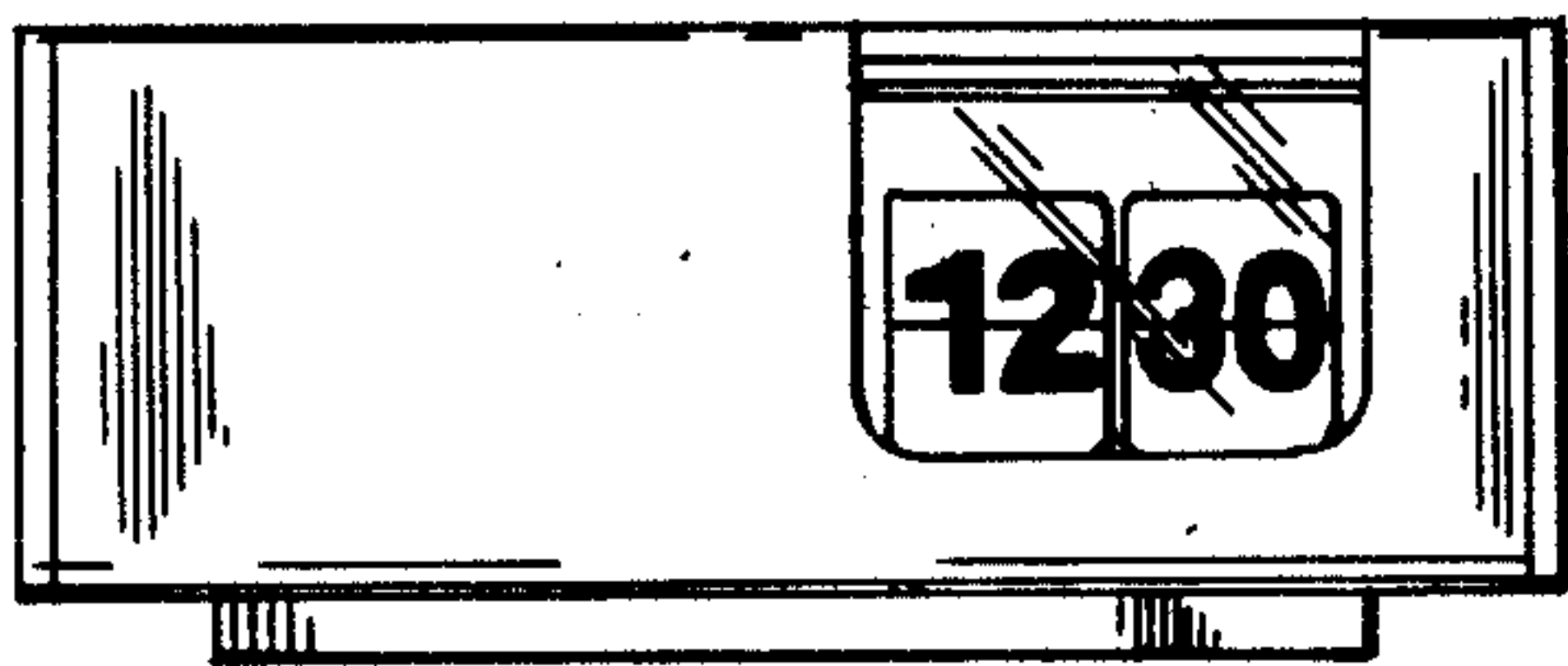


FIG. 3

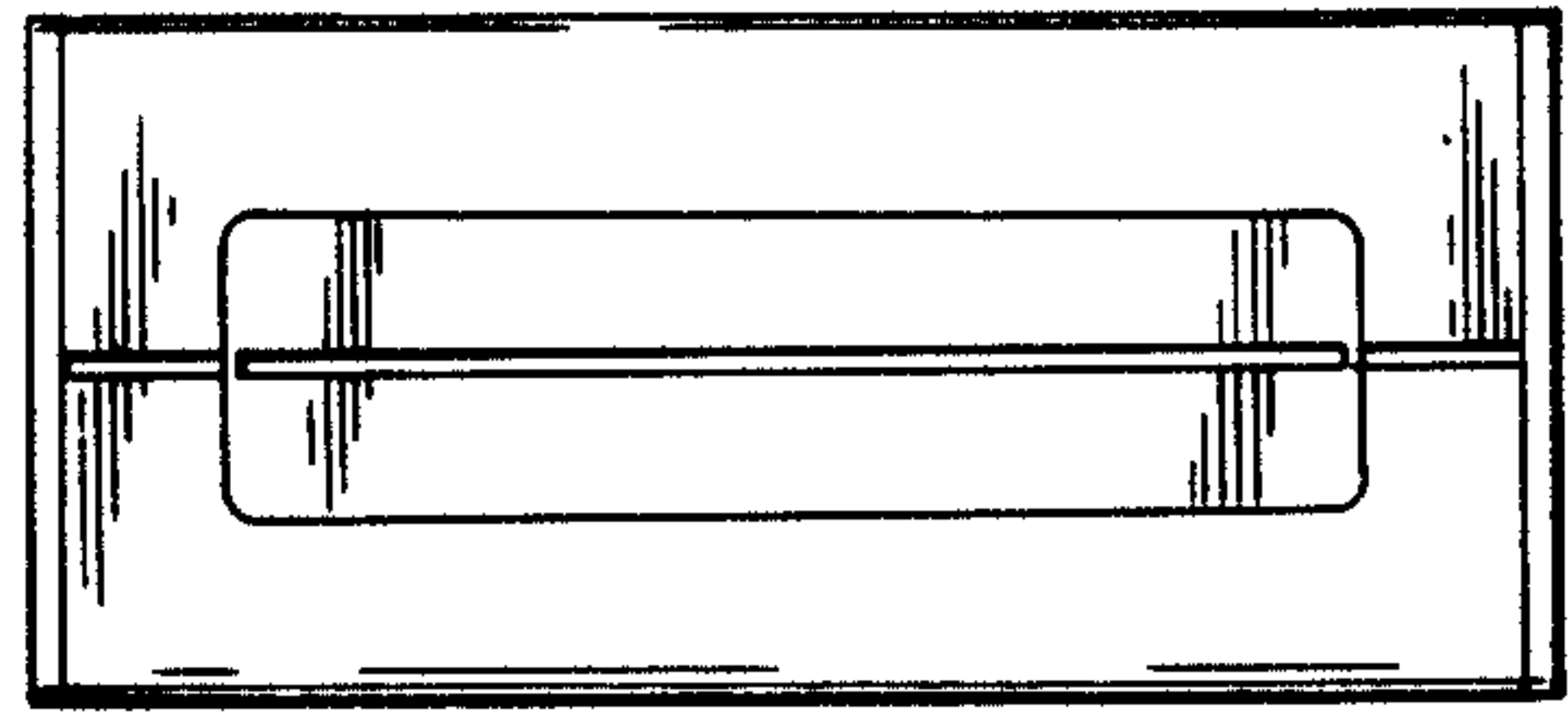
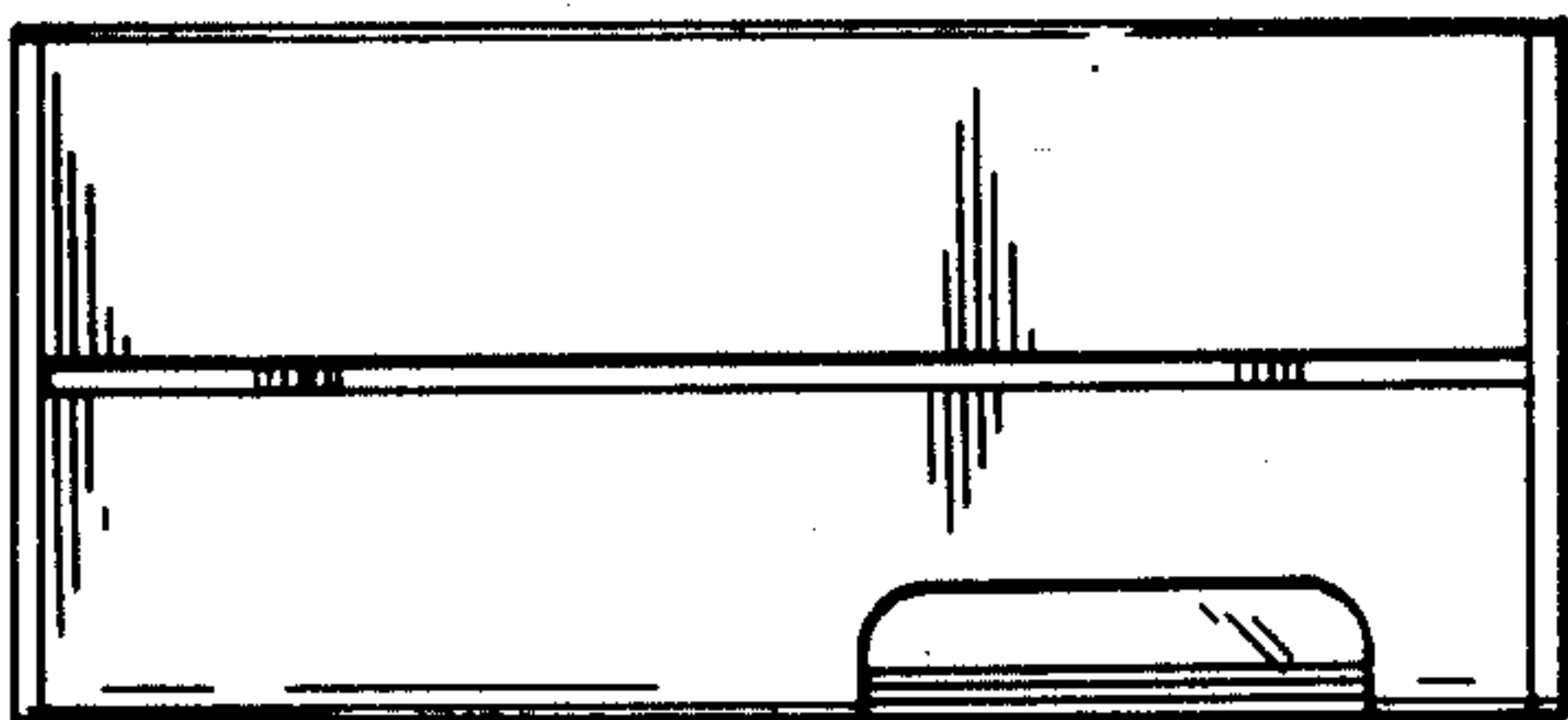
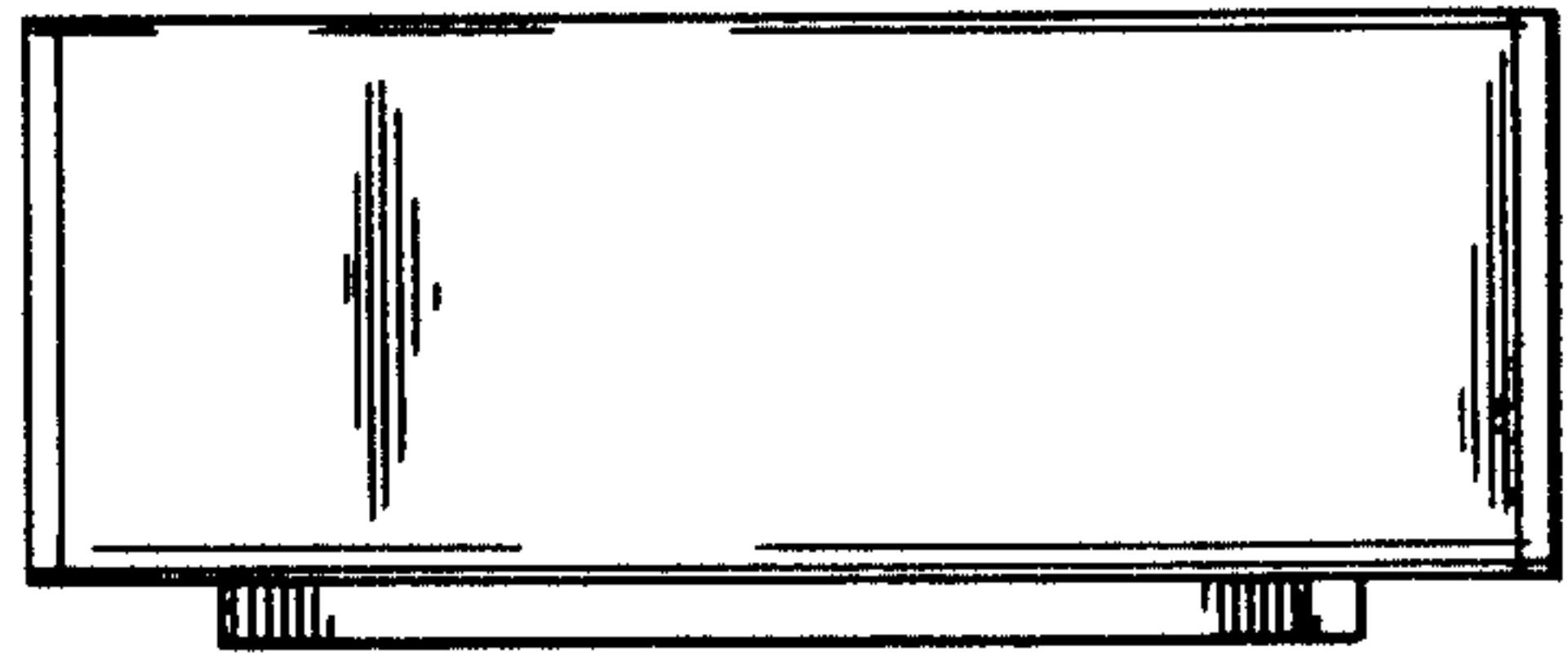


FIG. 4

FIG. 5

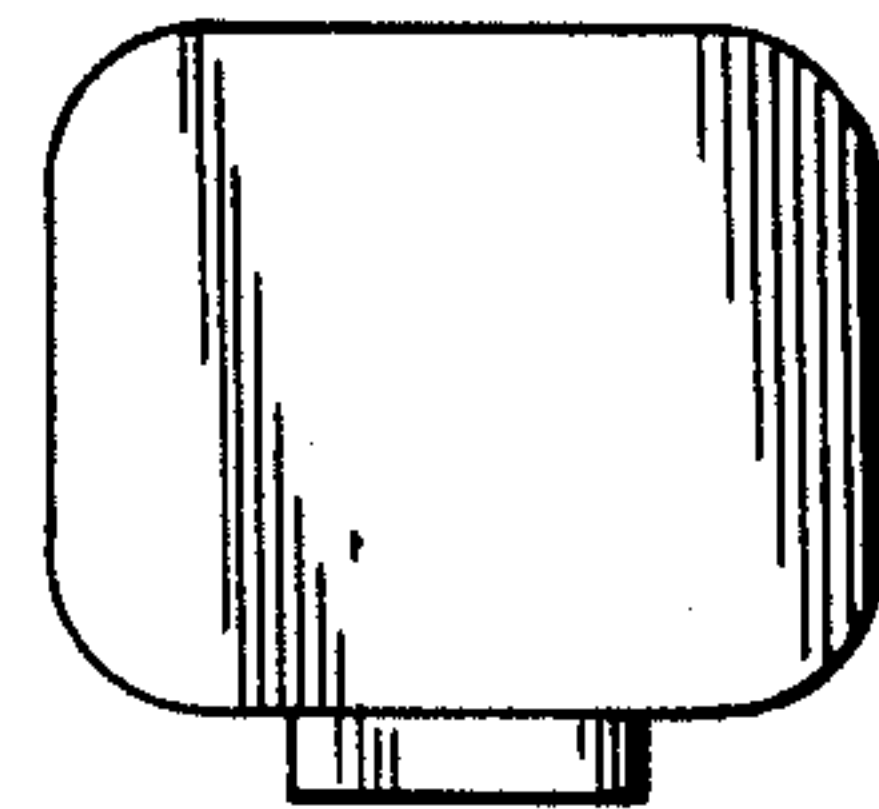
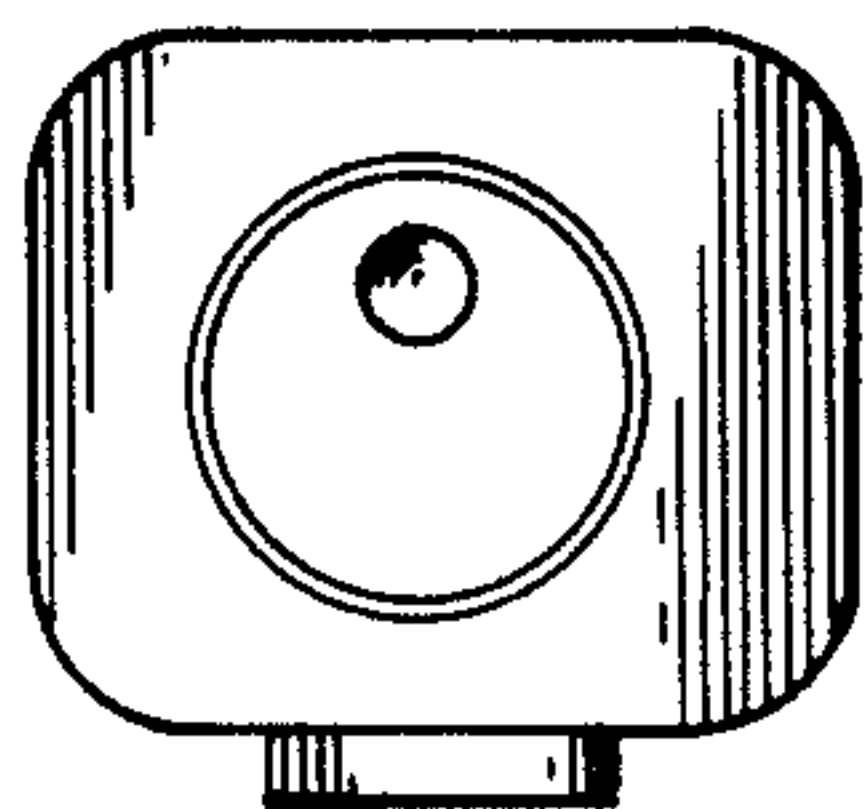


FIG. 6

FIG. 7