

[54] TRAY

[76] Inventor: Paul I. Pinson, Rte. 3, Winnsboro, Tex. 75494

[**] Term: 14 Years

[21] Appl. No.: 713,389

[22] Filed: Aug. 11, 1976

[51] Int. Cl. D7-99

[52] U.S. Cl. D7/19; D7/38; D7/45

[58] Field of Search D7/45, 37, 38, 21, 20, D7/19, 3

[56] References Cited

U.S. PATENT DOCUMENTS

D. 91,229 12/1933 Pyle D7/19

D. 110,388	7/1938	Farber	D7/19
D. 151,449	10/1948	Jenkins	D7/45
D. 178,586	8/1956	Vivian	D7/45
D. 206,390	12/1966	Jaskulek	D7/38
D. 218,351	8/1970	Nestegard et al.	D7/38
D. 227,851	7/1973	Nowland et al.	D7/38

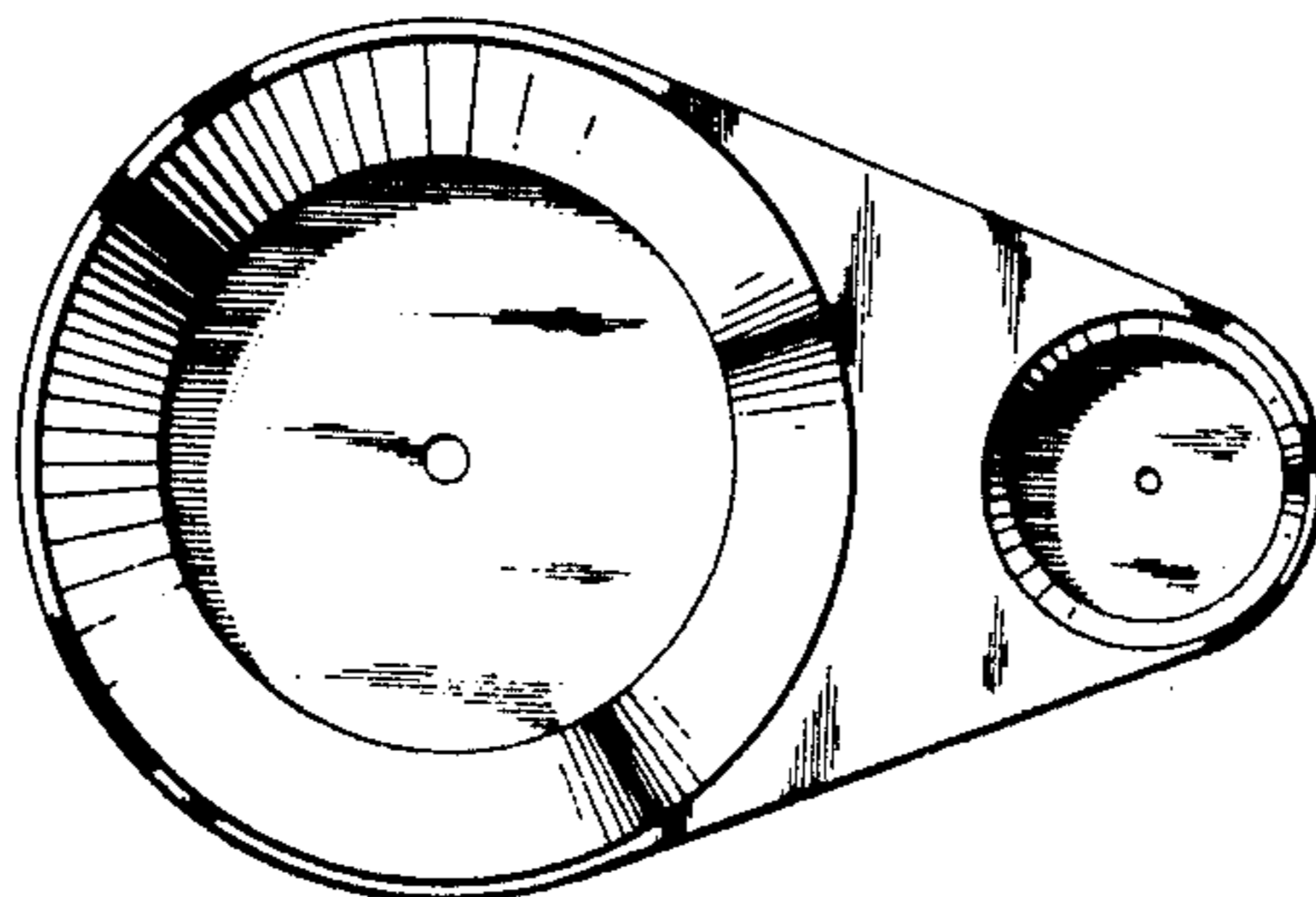
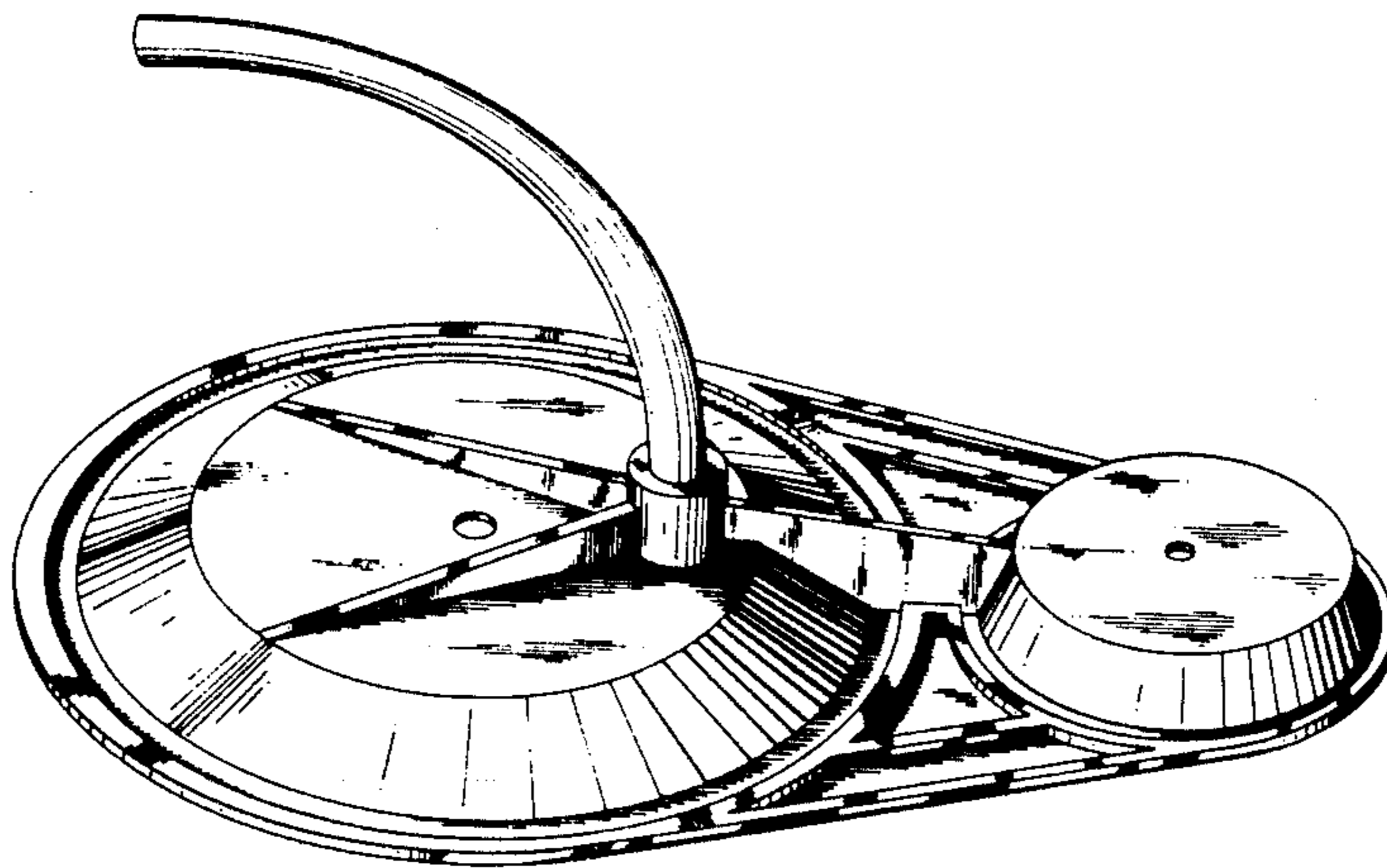
Primary Examiner—Winifred E. Herrmann
Attorney, Agent, or Firm—E. Mickey Hubbard

[57] CLAIM

The ornamental design for a tray, as shown.

DESCRIPTION

FIG. 1 is a bottom perspective view of a tray showing my new design;
FIG. 2 is a side elevation view thereof;
FIG. 3 is a front elevation view thereof;
FIG. 4 is a rear elevation view thereof; and
FIG. 5 is a top plan view thereof on a reduced scale.



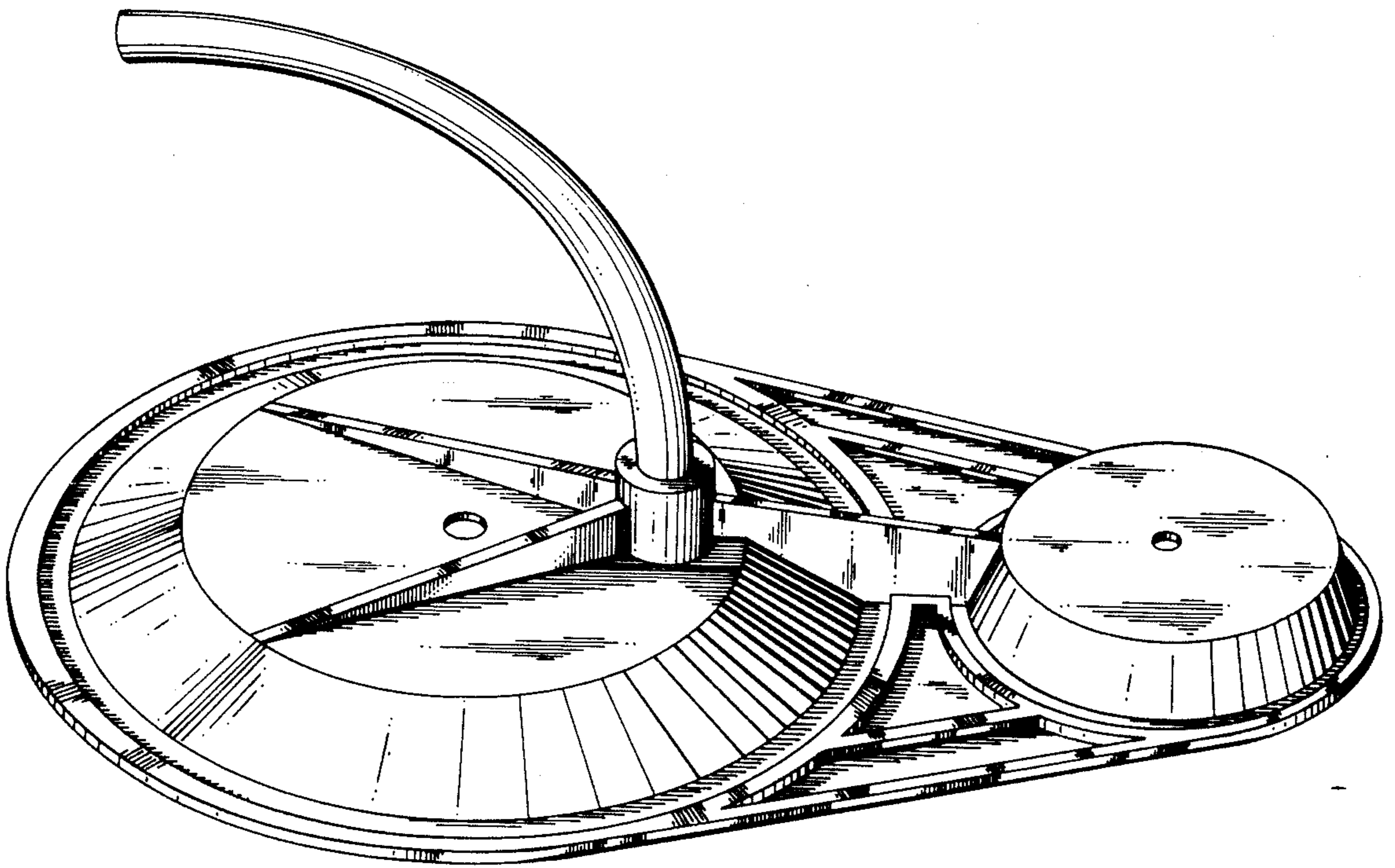


FIG. 1

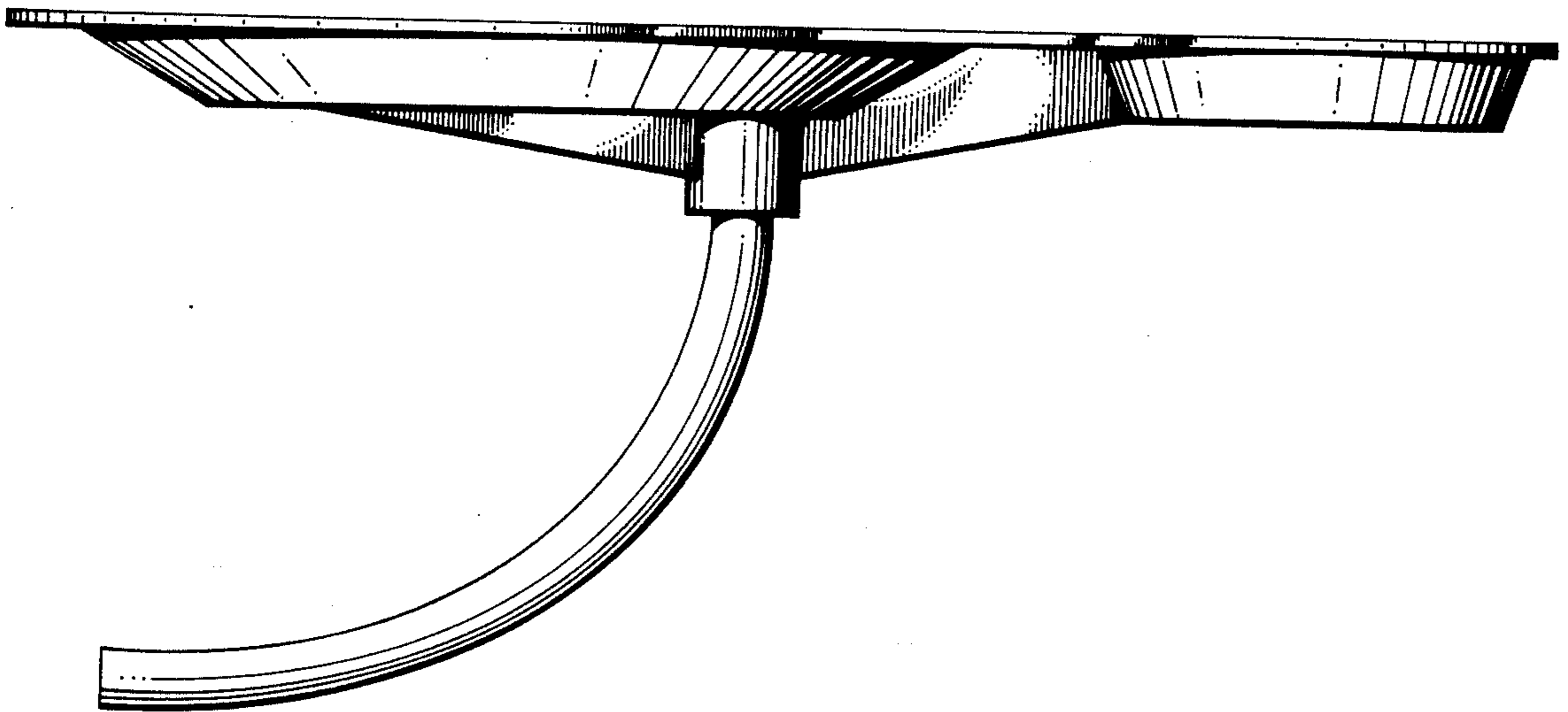


FIG. 2

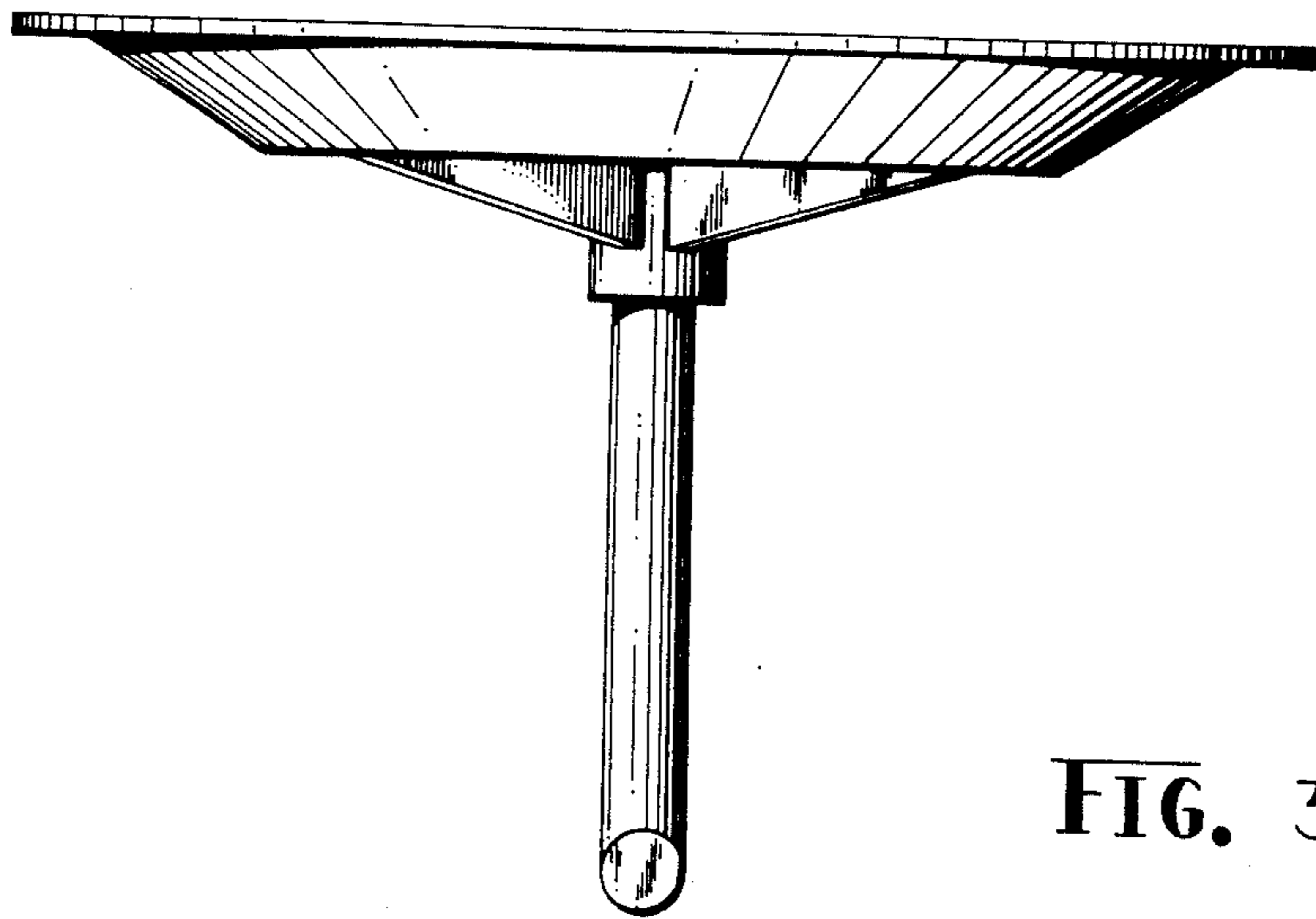


FIG. 3

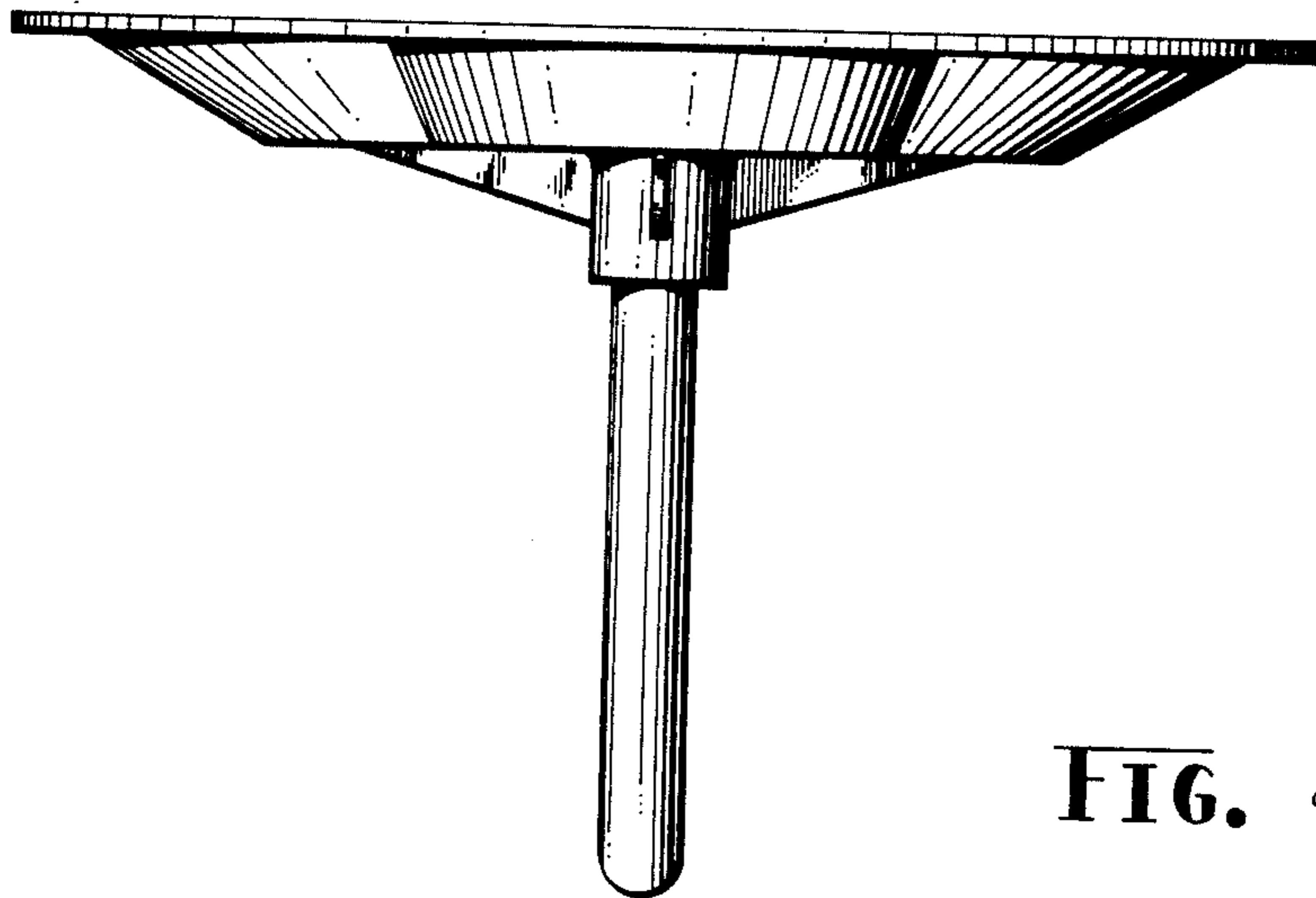


FIG. 4

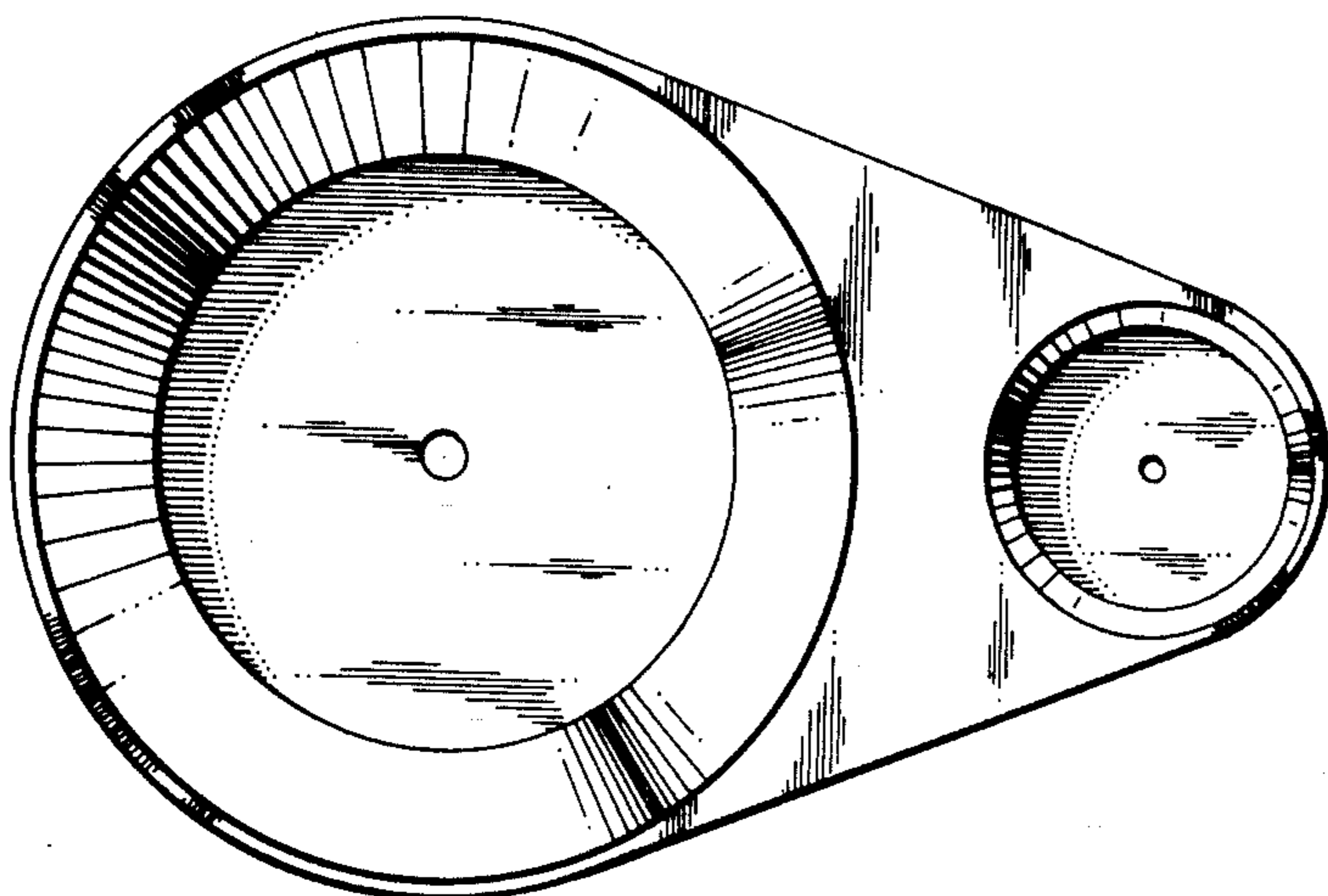


FIG. 5