

[54] COMBINED COAT AND TROUSER HANGER

2,804,245 8/1957 Biondolillo et al. D6/252

[76] Inventor: William A. Fullarton, 155 S. Drexel, Bexley, Ohio 43209

Primary Examiner—Wallace R. Burke
Assistant Examiner—B. J. Bullock
Attorney, Agent, or Firm—Robert E. Stebens

[**] Term: 14 Years

[21] Appl. No.: 854,122

[57] CLAIM

[22] Filed: Nov. 23, 1977

The ornamental design for a combined coat and trouser hanger, substantially as shown and described.

[51] Int. Cl. D6-08

DESCRIPTION

[52] U.S. Cl. D6/253; D6/247

[58] Field of Search D6/113, 125, 247-256;
211/113, 119; 223/85, 87-93, 95, 96, 98, DIG.
1, DIG. 2

FIG. 1 is a front elevational view of a combined coat and trouser hanger showing my new design;

FIG. 2 is a side elevational view taken from the left of FIG. 1;

FIG. 3 is a side elevational view taken from the right of FIG. 1;

FIG. 4 is a top plan view thereof;

FIG. 5 is a bottom plan view thereof;

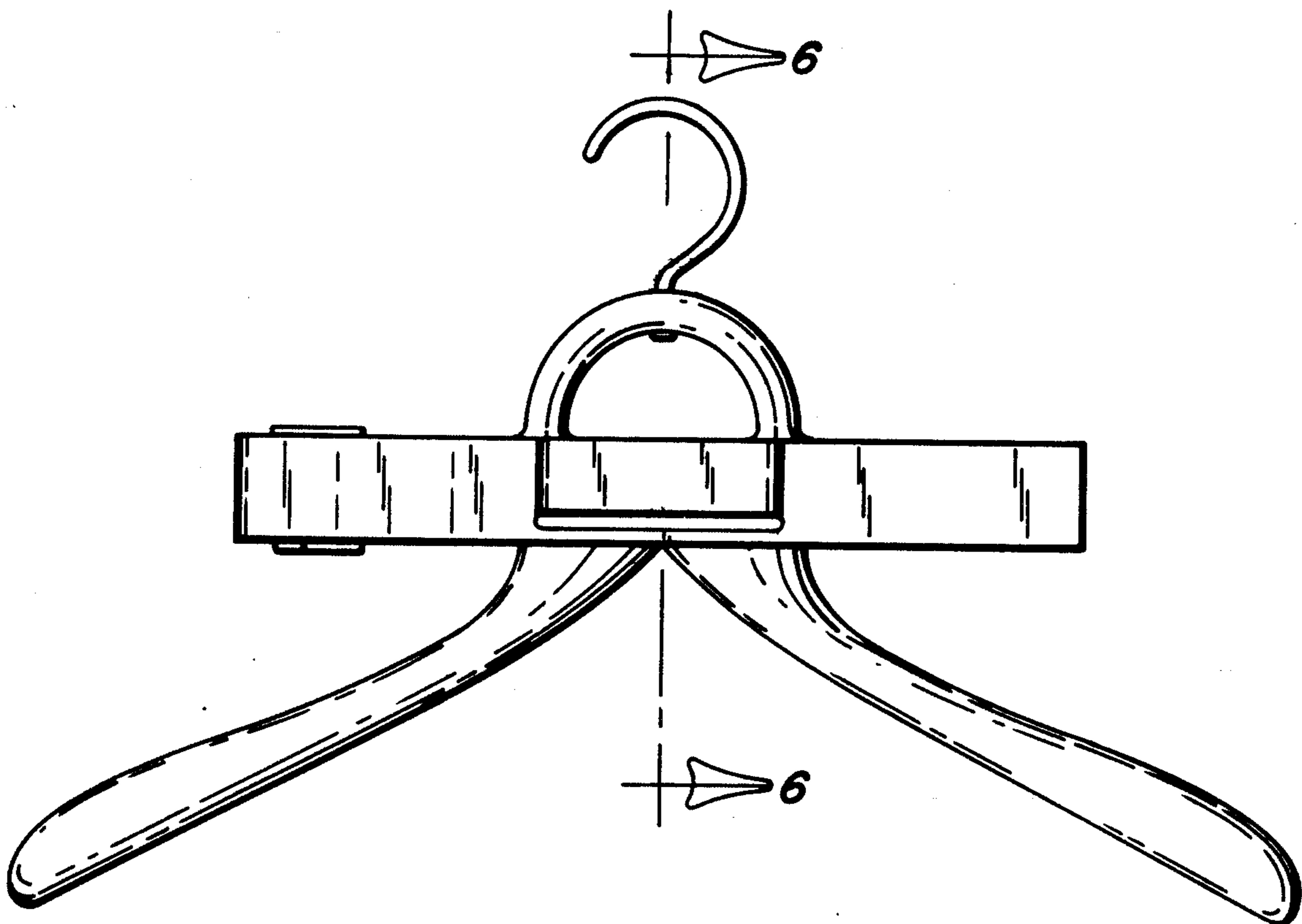
FIG. 6 is a vertical sectional view thereof taken along line 6-6 of FIG. 1;

FIG. 7 is a rear elevational view thereof.

[56] References Cited

U.S. PATENT DOCUMENTS

D. 144,696	5/1946	Crowley	D6/252
D. 157,040	1/1950	Geisler	D6/252
D. 203,016	11/1965	Douglas	D6/252
926,794	7/1909	Weigle	D6/252



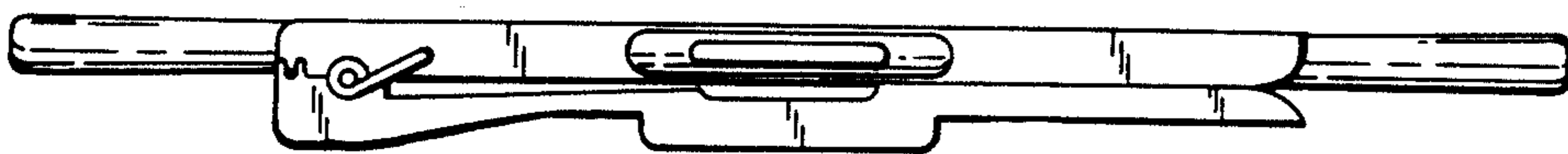
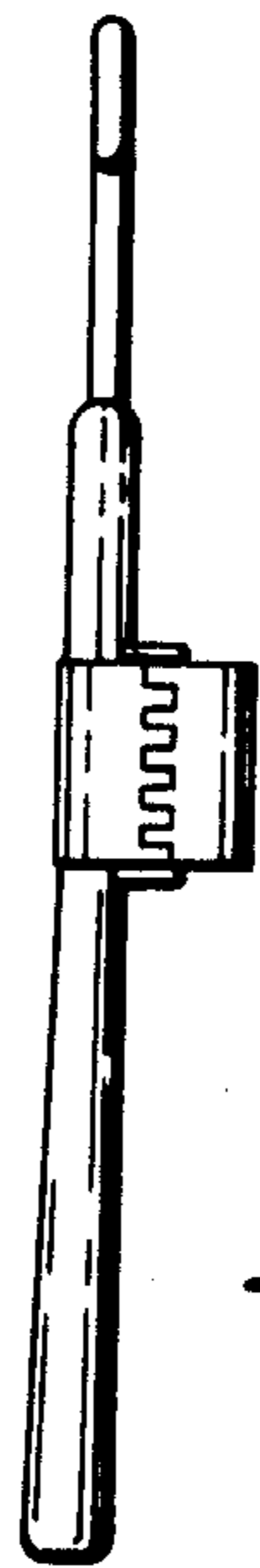
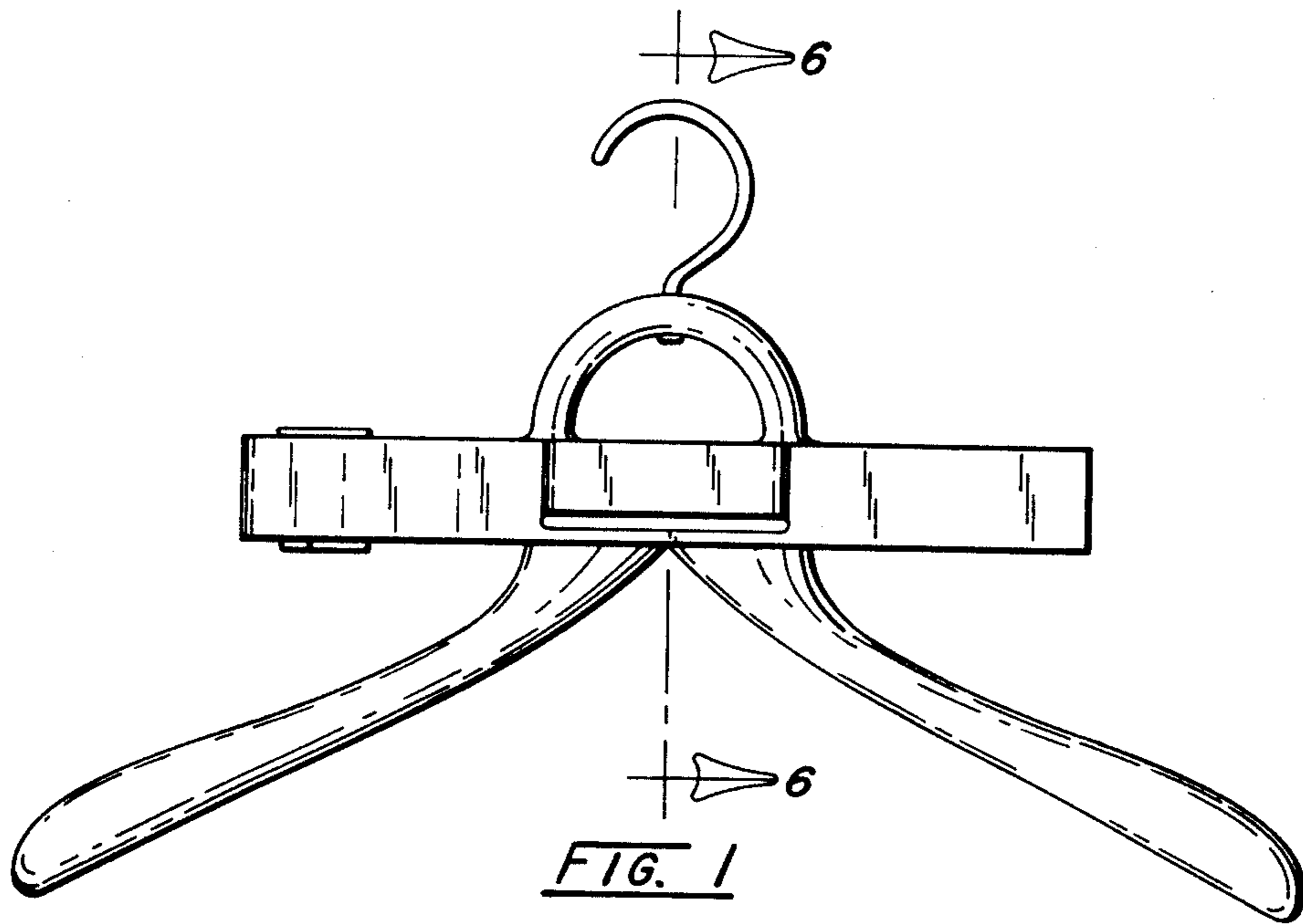




FIG. 5

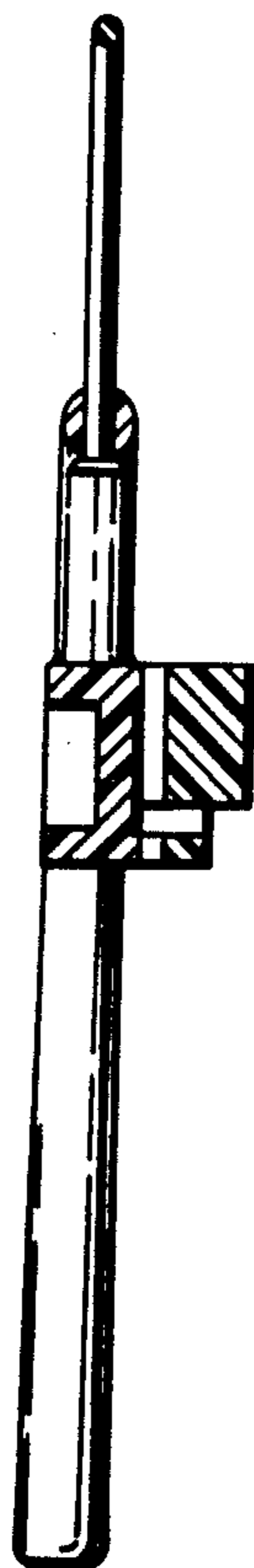


FIG. 6

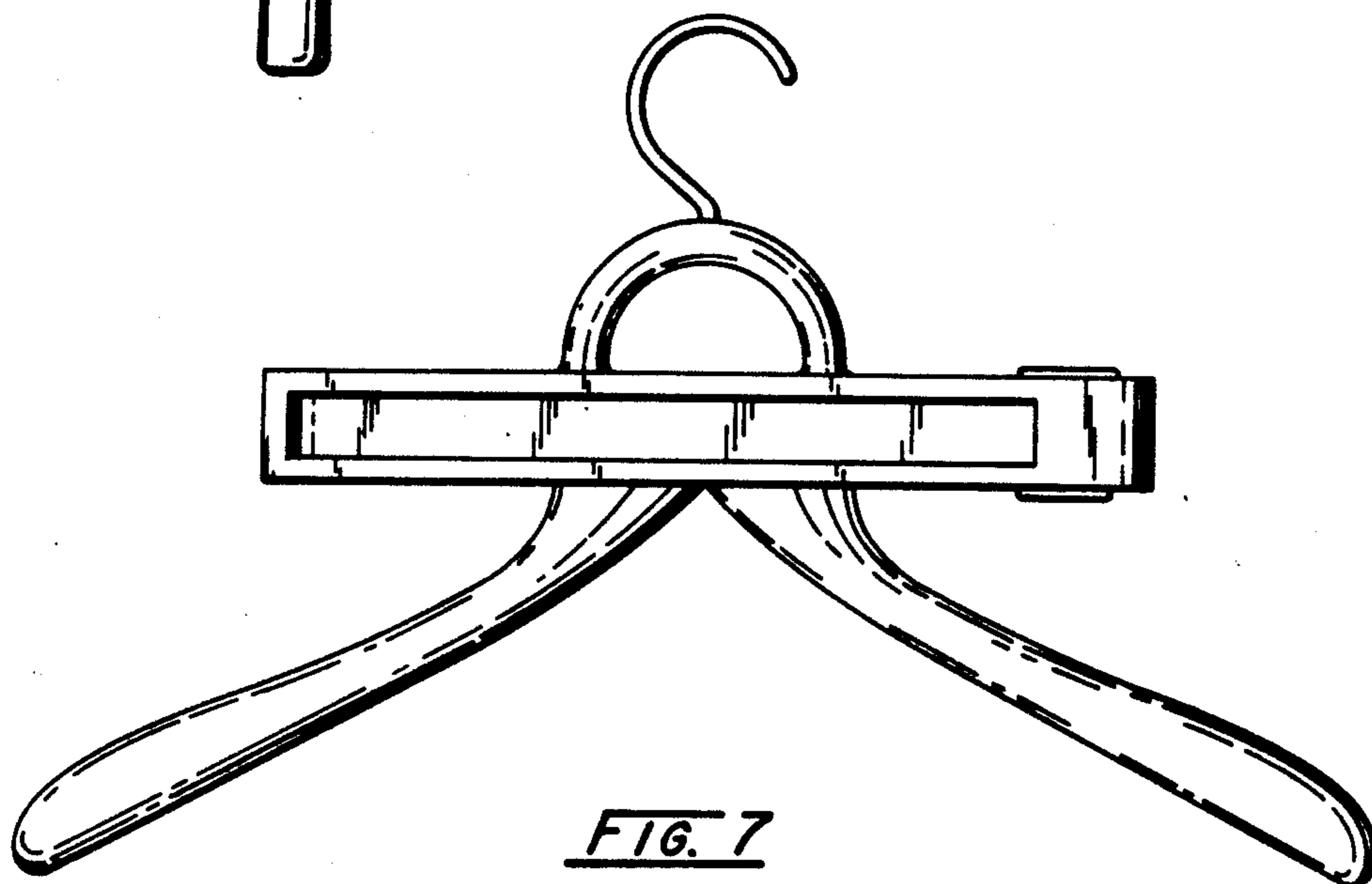


FIG. 7