

[54] COMBINED TABLE AND MULTIPLE STOOL UNIT

3,266,840 8/1966 D'estrube ..... 297/157  
3,542,420 11/1970 Prieve ..... 297/157

[76] Inventor: James A. Pingel, 1411 River Mill Row, Beacon Woods, New Port Richey, Fla. 33568

[\*\*] Term: 14 Years

[21] Appl. No.: 792,480

[22] Filed: Apr. 29, 1977

[51] Int. Cl. .... D6-05

[52] U.S. Cl. .... D6/45

[58] Field of Search ..... D6/42, 45, 146, 32, D6/35, 26, 177, 178; 297/157

[56] References Cited

U.S. PATENT DOCUMENTS

D. 173,910	1/1955	Nevendorf .....	297/157 X
D. 211,796	7/1968	Conklin .....	D6/45
D. 244,409	5/1977	Arnold .....	D6/45
681,394	8/1901	Hile .....	297/157

FOREIGN PATENT DOCUMENTS

1,112,861 11/1955 France ..... D6/45 X

Primary Examiner—Bruce W. Dunkins  
Attorney, Agent, or Firm—Stefan M. Stein

[57] CLAIM

The ornamental design for a combined table and multiple stool unit, as shown and described.

DESCRIPTION

FIG. 1 is an elevational perspective view of a combined table and multiple stool unit incorporating the invention;  
FIG. 2 is a top view of the unit shown in FIG. 1;  
FIG. 3 is a side elevational view along line 3—3 of FIG. 2;  
FIG. 4 is a bottom view of the invention shown in FIGS. 1-3; and  
FIG. 5 is a side elevational view along line 5—5 of FIG. 2.

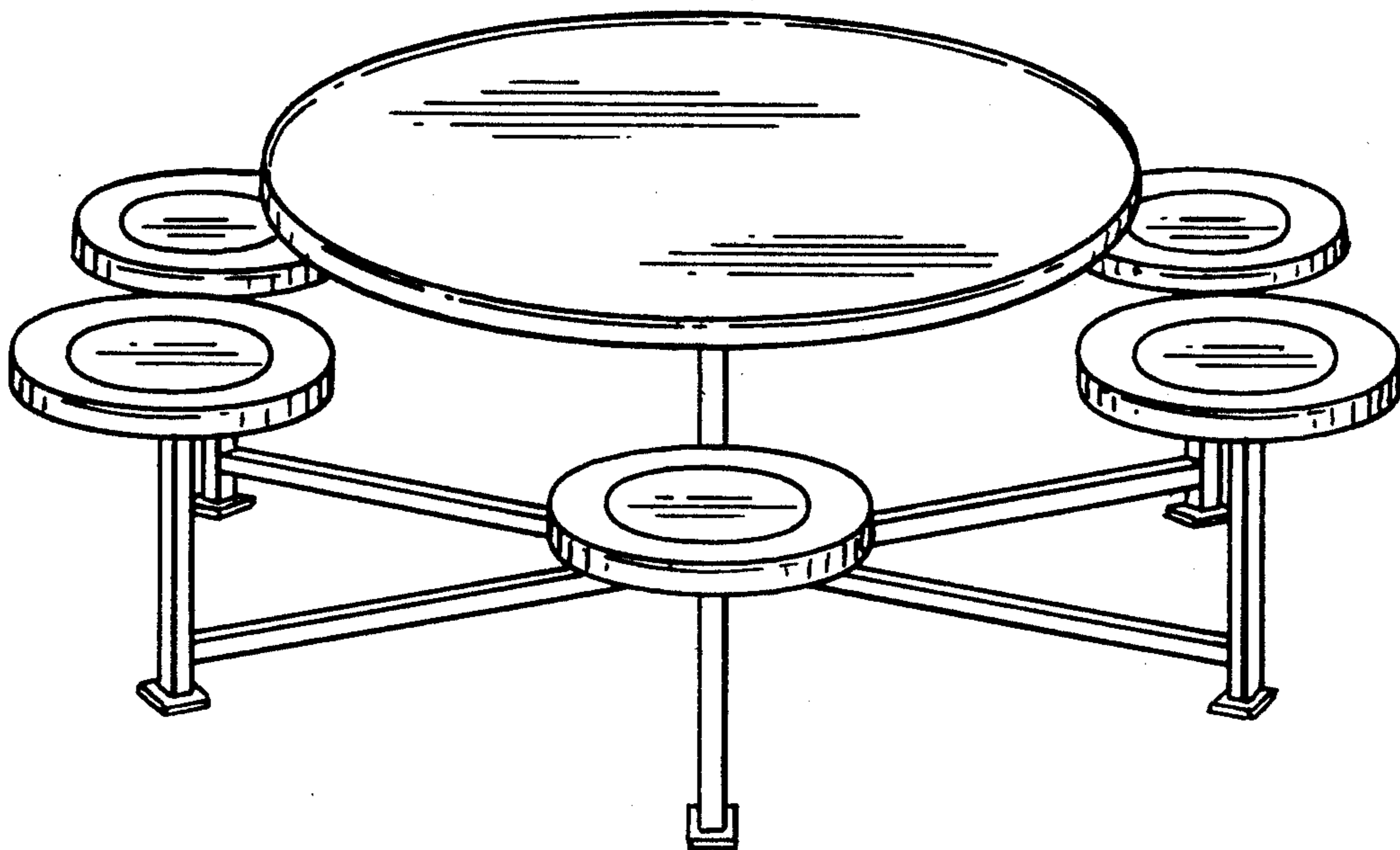


FIG. 1

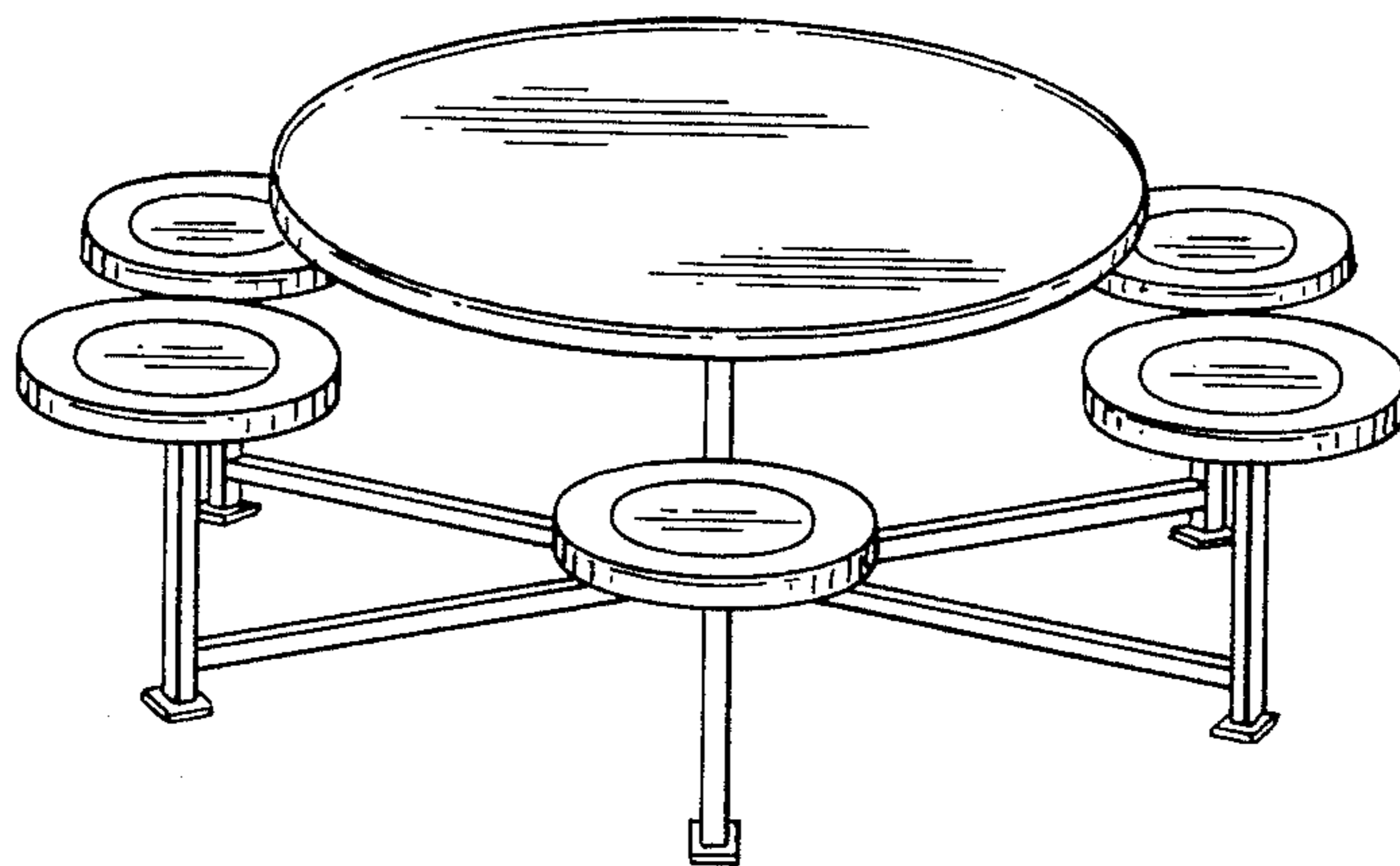


FIG. 2

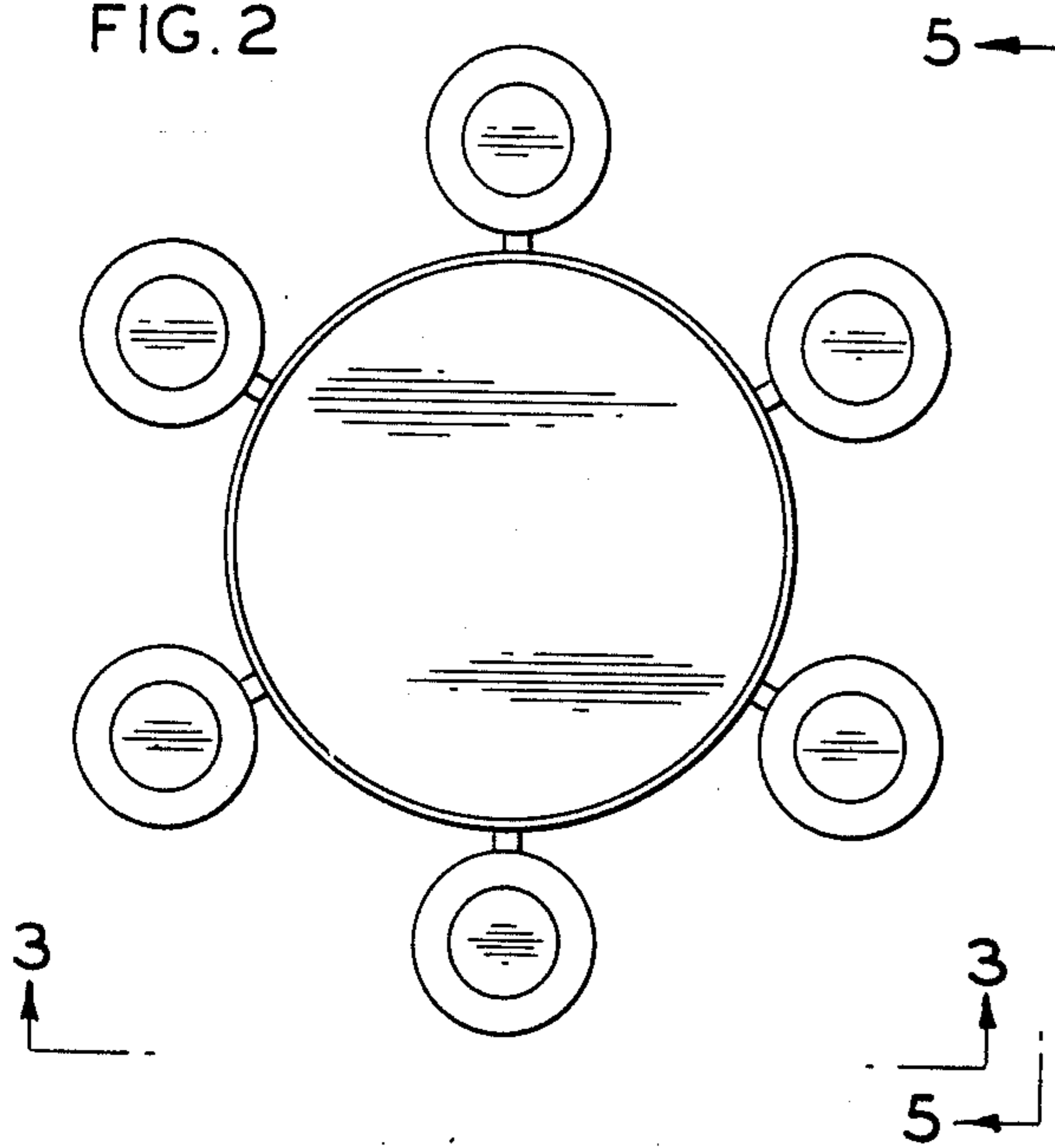


FIG. 3

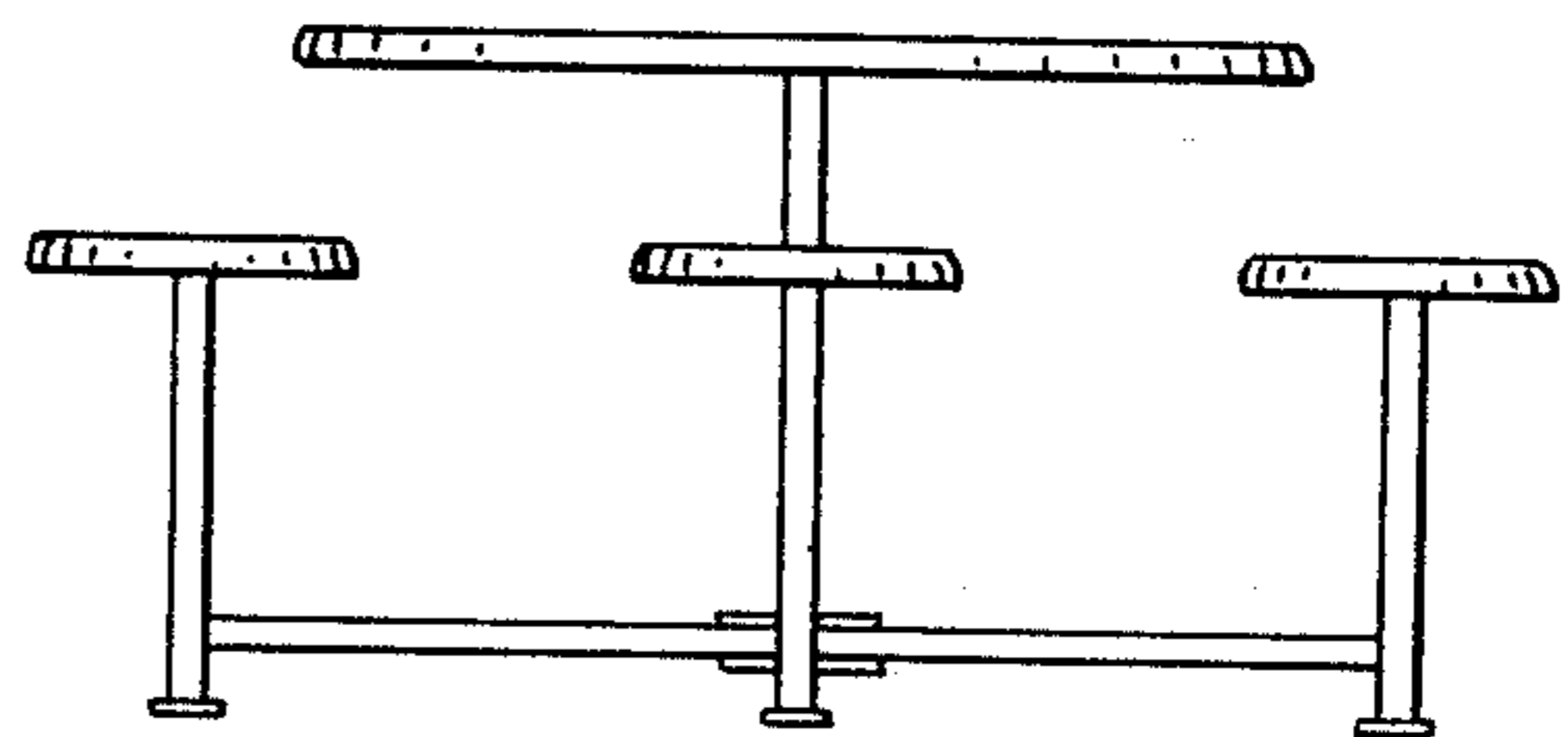


FIG. 4

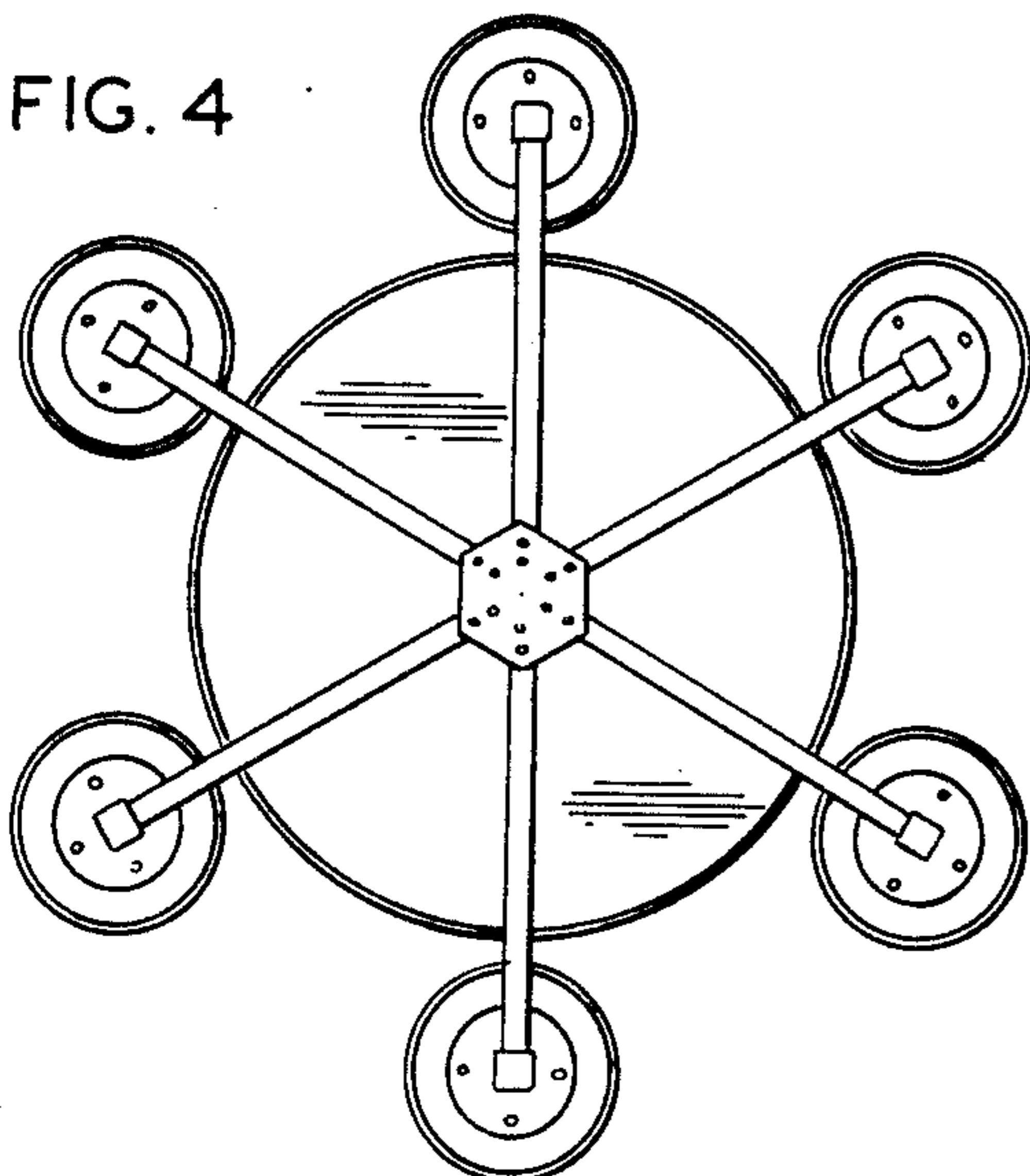


FIG. 5

