

[54] LAMP POST  
 [75] Inventor: Stig Hasselqvist, Mjolby, Sweden  
 [73] Assignee: Handelsbolaget Scanovator, Linkoping, Sweden  
 [\*\*] Term: 14 Years  
 [21] Appl. No.: 807,497  
 [22] Filed: Jun. 17, 1977

[51] Int. Cl. .... D26—03; D25—01  
 [52] U.S. Cl. .... D48/38; D25/77  
 [58] Field of Search ..... D10/109, 111, 113, 114, D10/121; D48/35-38; 362/431; 116/63 R; 52/40, 720, 731, 732, 738, 739, 297, 298; D25/77, 74, 78

[56] References Cited

U.S. PATENT DOCUMENTS

D. 31,160 7/1899 Schwerd et al. .... D25/77  
 1,674,986 6/1928 Norwood ..... D25/74 X

3,196,990 7/1965 Handley ..... 52/731  
 3,499,413 3/1970 Heard ..... D10/109 X

OTHER PUBLICATIONS

Sweets Architectural Catalog File, 1970, Sec. 31B/CR, p. 14-Post-Top Luminaire #1321.

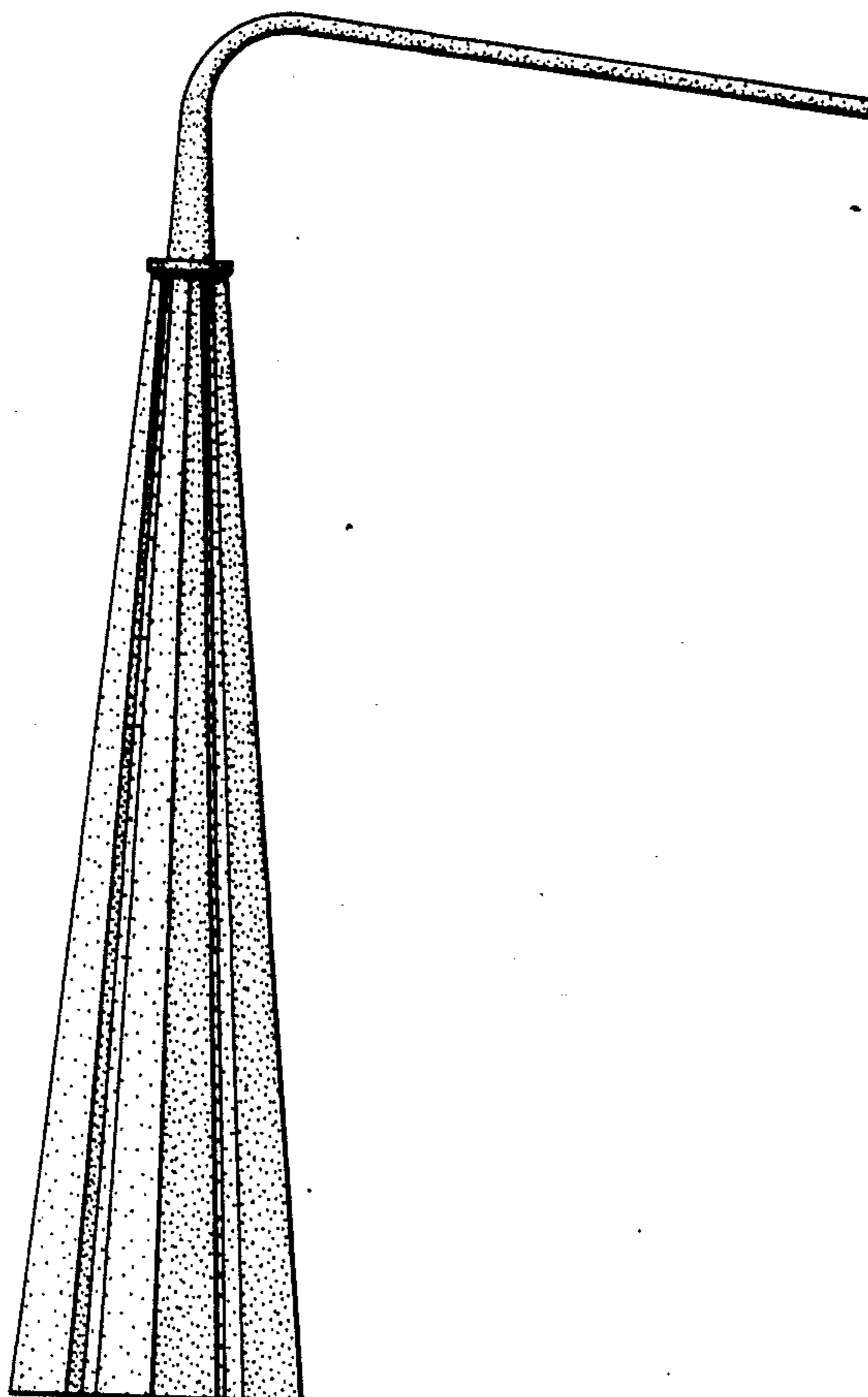
Primary Examiner—Susan J. Lucas  
 Attorney, Agent, or Firm—Marcus B. Finnegan

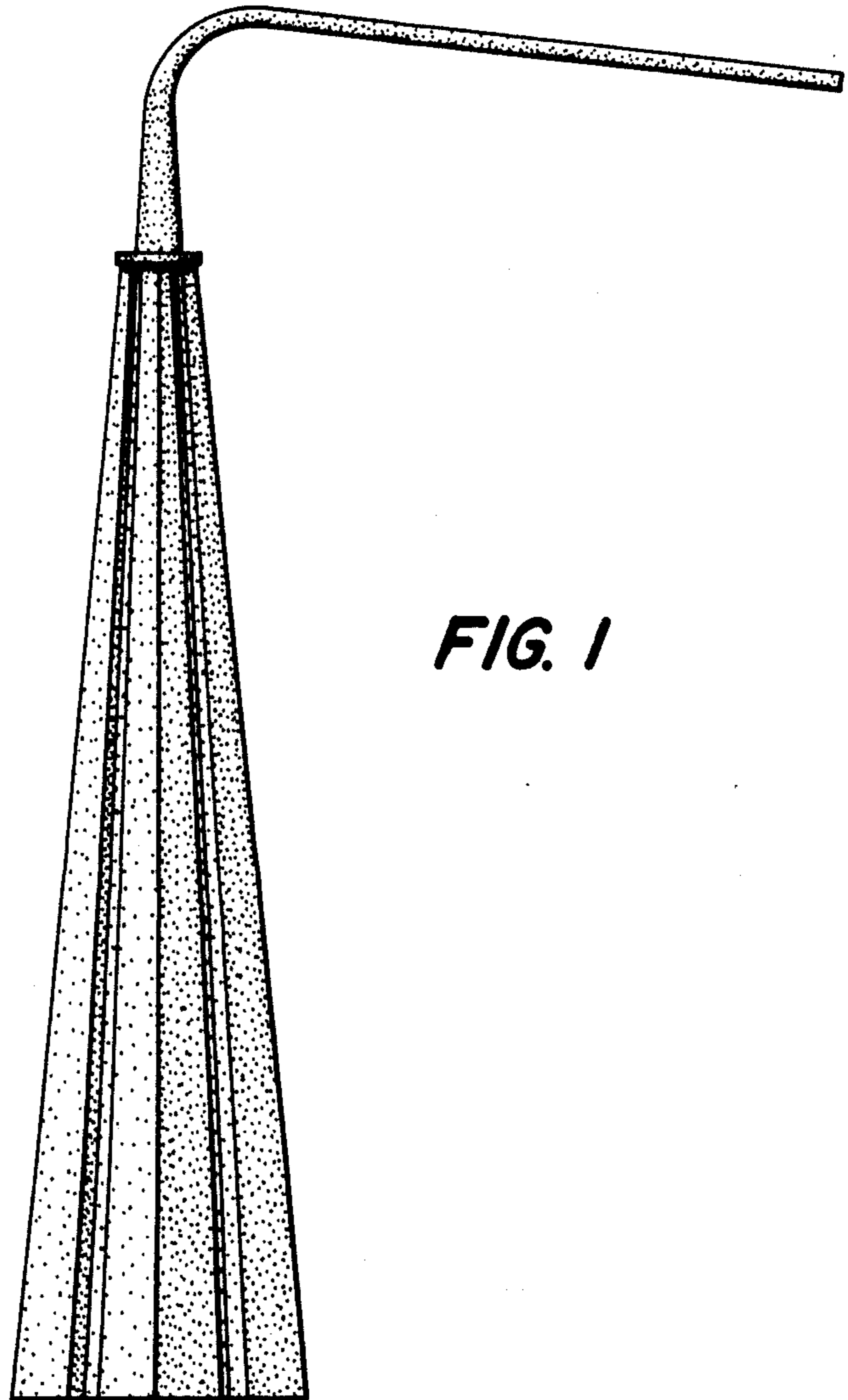
[57] CLAIM

The ornamental design for a lamp post, substantially as shown and described.

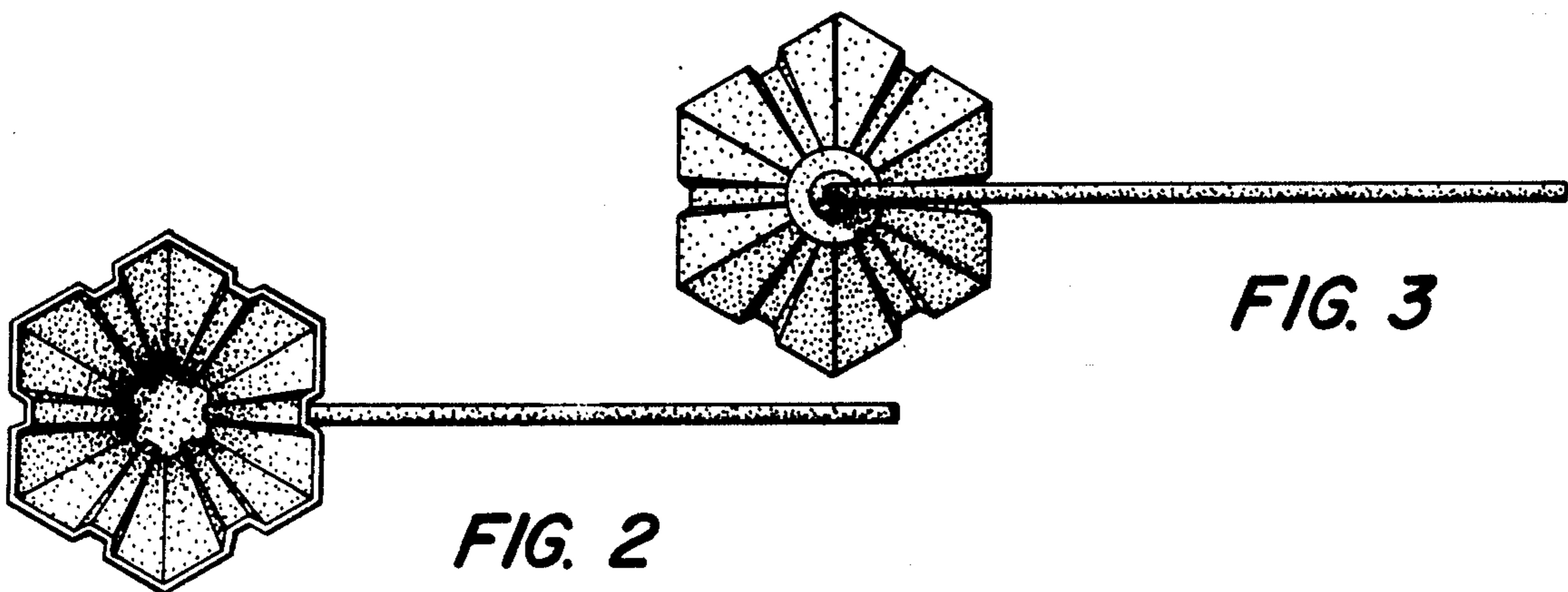
DESCRIPTION

FIG. 1 is a right side view of one embodiment of the lamp post of this invention;  
 FIG. 2 is a bottom view of the lamp post of FIG. 1;  
 FIG. 3 is a top view of the lamp post of FIG. 1;  
 FIG. 4 is a right side view of a second embodiment of the lamp post of this invention;  
 FIG. 5 is a bottom view of the lamp post of FIG. 4; and  
 FIG. 6 is a top view of the lamp post of FIG. 4.



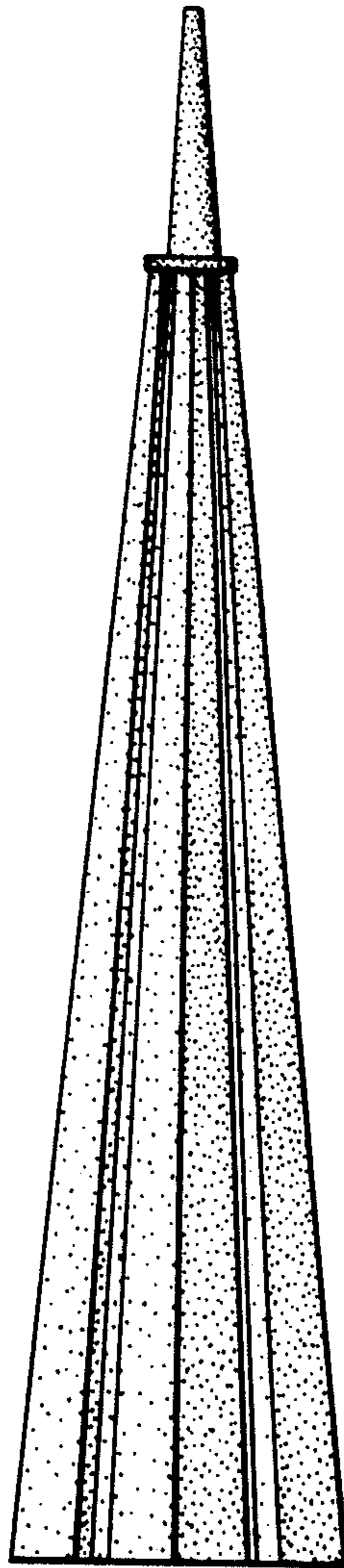


*FIG. 1*

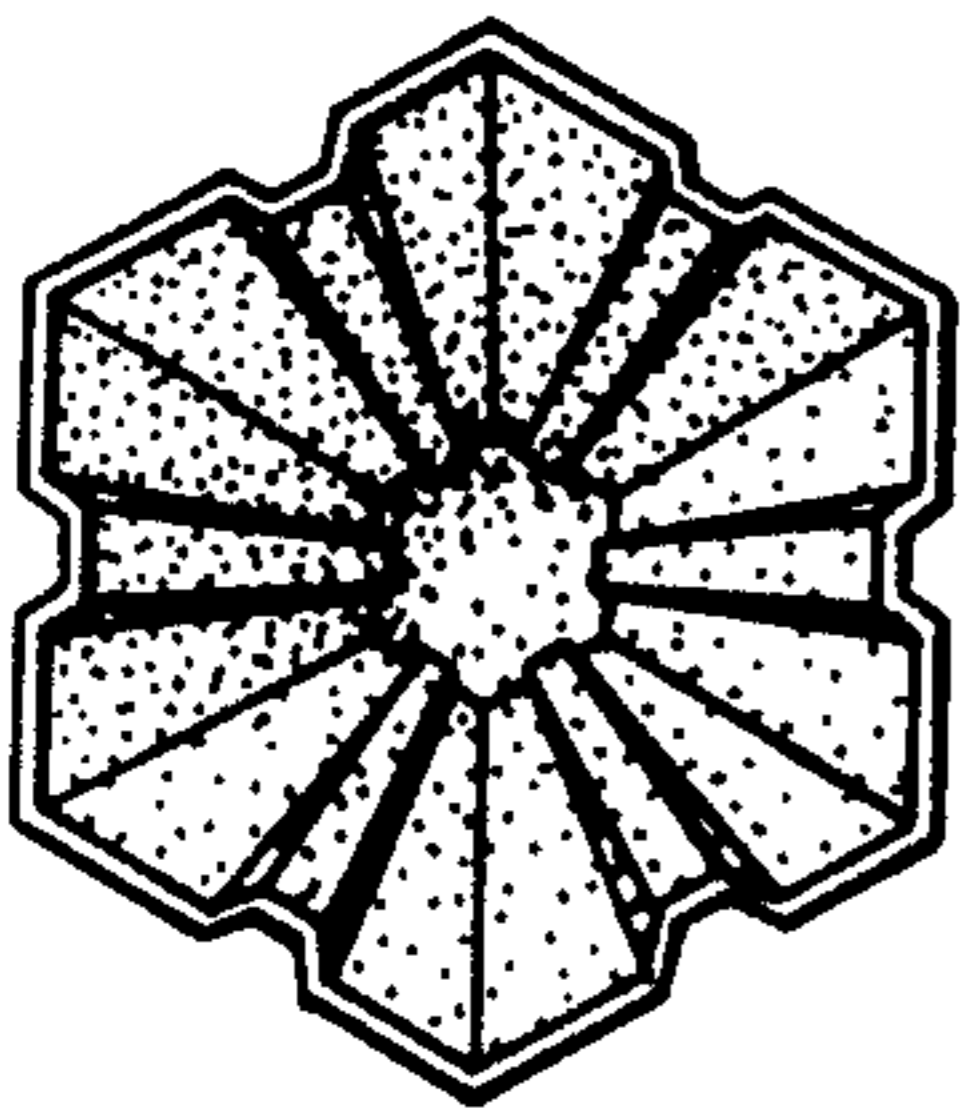


*FIG. 2*

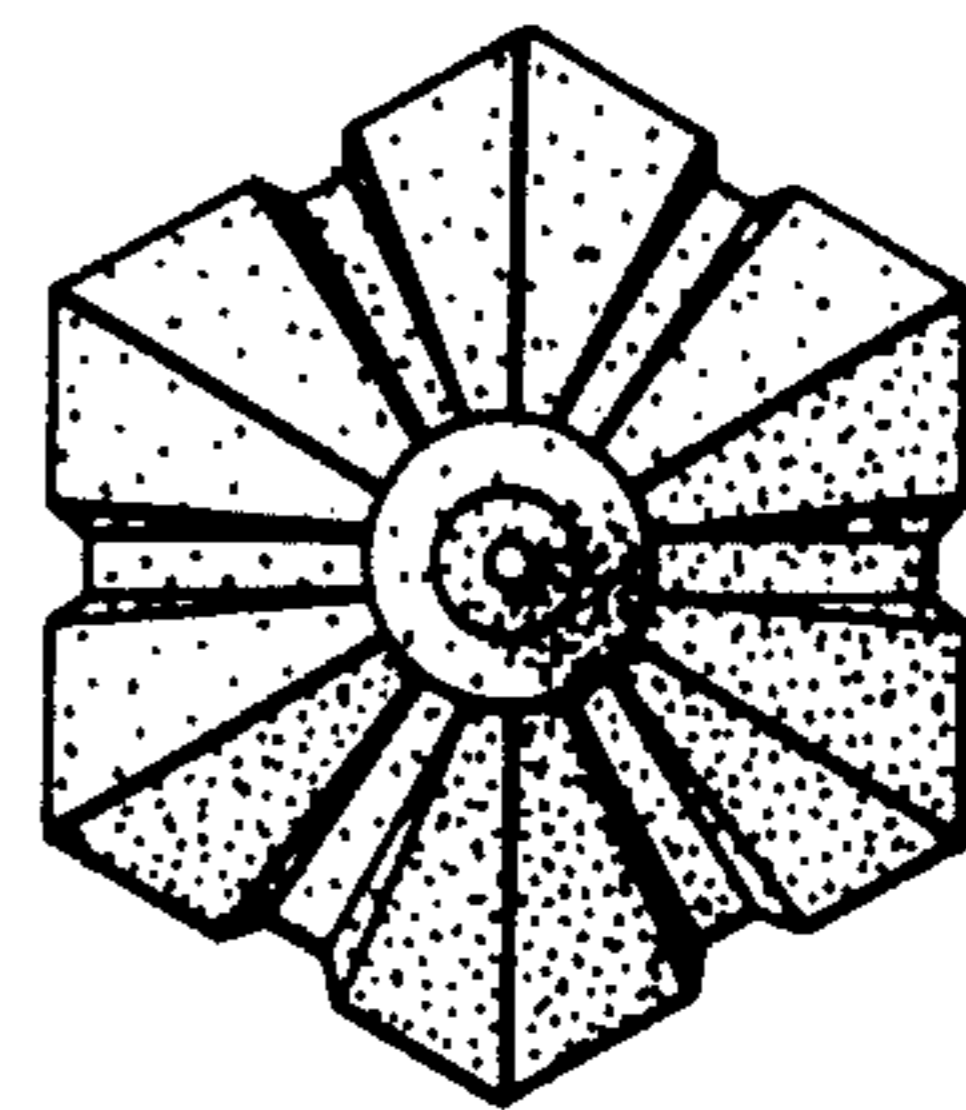
*FIG. 3*



**FIG. 4**



**FIG. 5**



**FIG. 6**

UNITED STATES PATENT AND TRADEMARK OFFICE  
**CERTIFICATE OF CORRECTION**

PATENT NO. : Des. 250,142  
DATED : October 31, 1978  
INVENTOR(S) : Stig Hasselqvist

It is certified that error appears in the above-identified patent and that said Letters Patent are hereby corrected as shown below:

-- "[30] FOREIGN APPLICATION PRIORITY DATA

Dec. 23, 1976                      Sweden                      762548                      --

**Signed and Sealed this**

**Second Day of October 1979**

[SEAL]

*Attest:*

**RUTH C. MASON**  
*Attesting Officer*

**LUTRELLE F. PARKER**  
*Acting Commissioner of Patents and Trademarks*