

[54] EXERCISER

[75] Inventors: John G. Moyski, Denver; Horst W. Mueller, Erie, both of Colo.

[73] Assignee: Chaparral Industries, Inc., Denver, Colo.

[\*\*] Term: 14 Years

[21] Appl. No.: 759,363

[22] Filed: Jan. 14, 1977

[51] Int. Cl. .... D21-02

[52] U.S. Cl. .... D34/5 K

[58] Field of Search ..... D34/5 K; 272/62, 63, 272/68, 73, 74, 75, 109, 114, 116, 117, 125, 127, 133, 134, 144

[56] References Cited

U.S. PATENT DOCUMENTS

D. 243,028 1/1977 Proctor ..... D34/5 K  
3,664,027 5/1972 Fritz et al. .... 272/73

FOREIGN PATENT DOCUMENTS

2,238,585 2/1974 Fed. Rep. of Germany ..... 272/73

OTHER PUBLICATIONS

Sporting Goods Dealer, 9-1972, p. 200, Nadco Exer-Cisor.

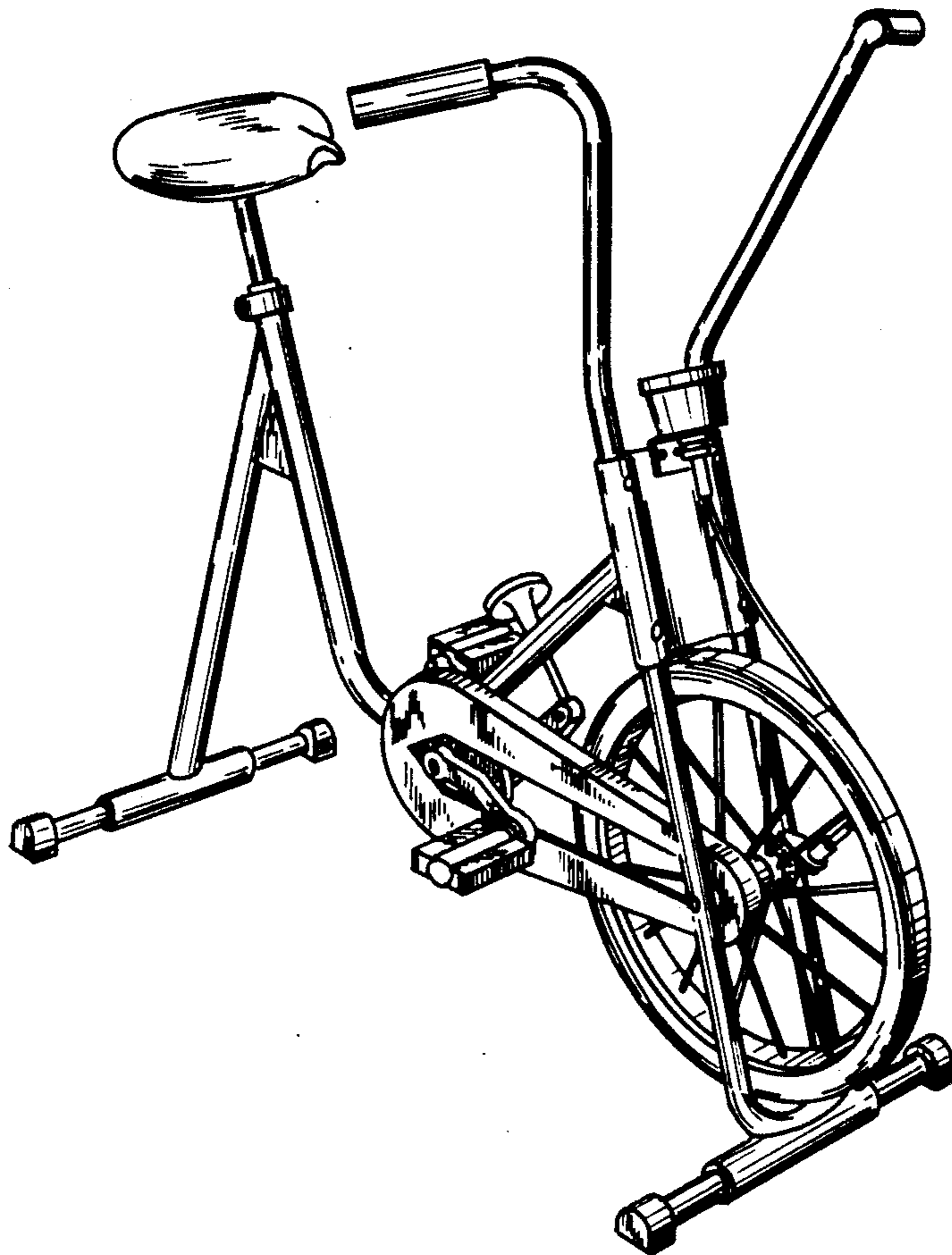
Primary Examiner—Joel Stearman  
Assistant Examiner—C. A. Rademaker  
Attorney, Agent, or Firm—John E. Reilly

[57] CLAIM

The ornamental design for exerciser, as shown and described.

DESCRIPTION

FIG. 1 is a perspective view of an exerciser showing our new design;  
FIG. 2 is a side elevational view thereof;  
FIG. 3 is a front elevational view thereof;  
FIG. 4 is a top plan view thereof;  
FIG. 5 is a side elevational view of the side opposite that shown in FIG. 2;  
FIG. 6 is a rear elevational view thereof; and,  
FIG. 7 is a bottom plan view thereof.



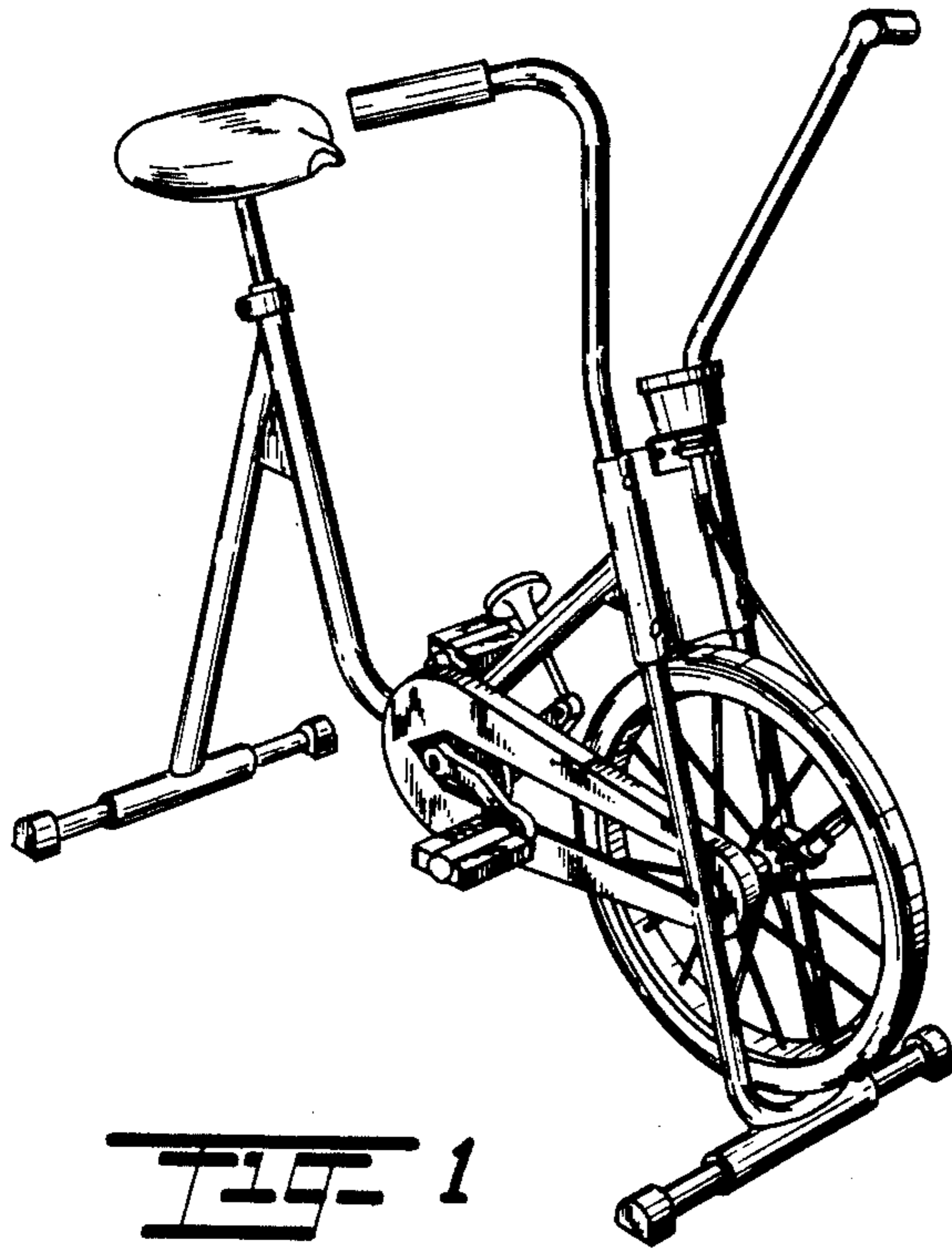


FIG. 1

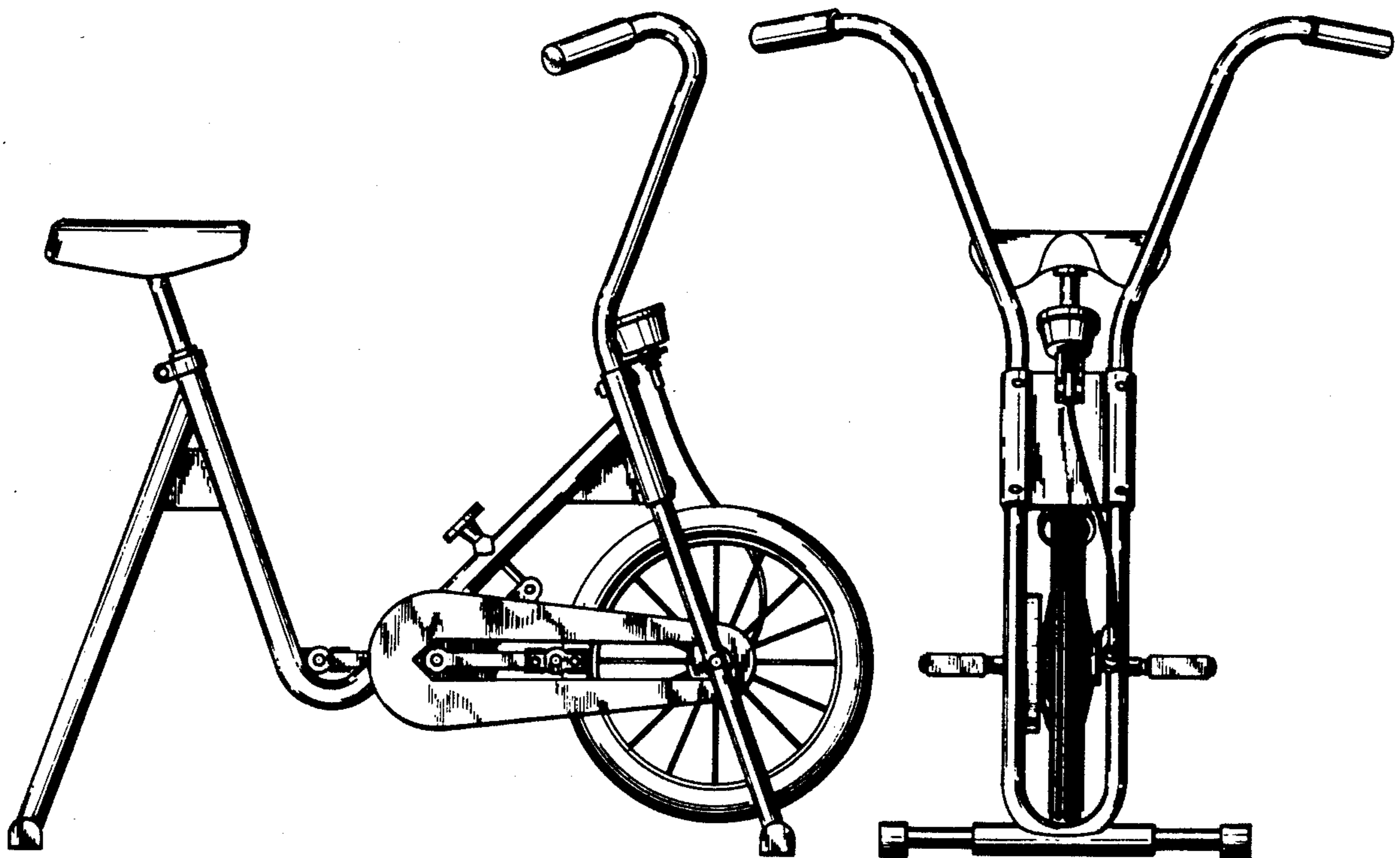


FIG. 2

FIG. 3

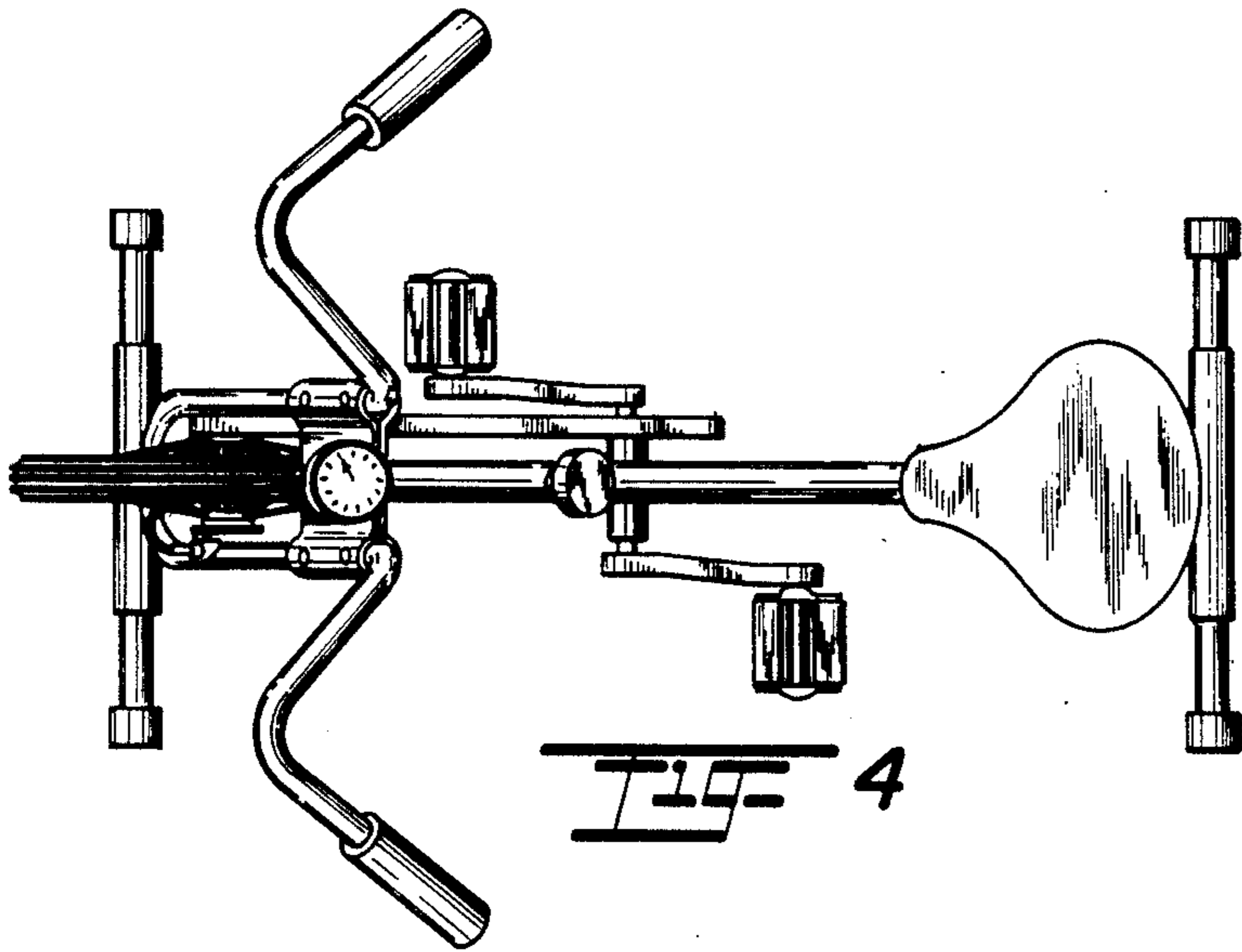


FIG. 4

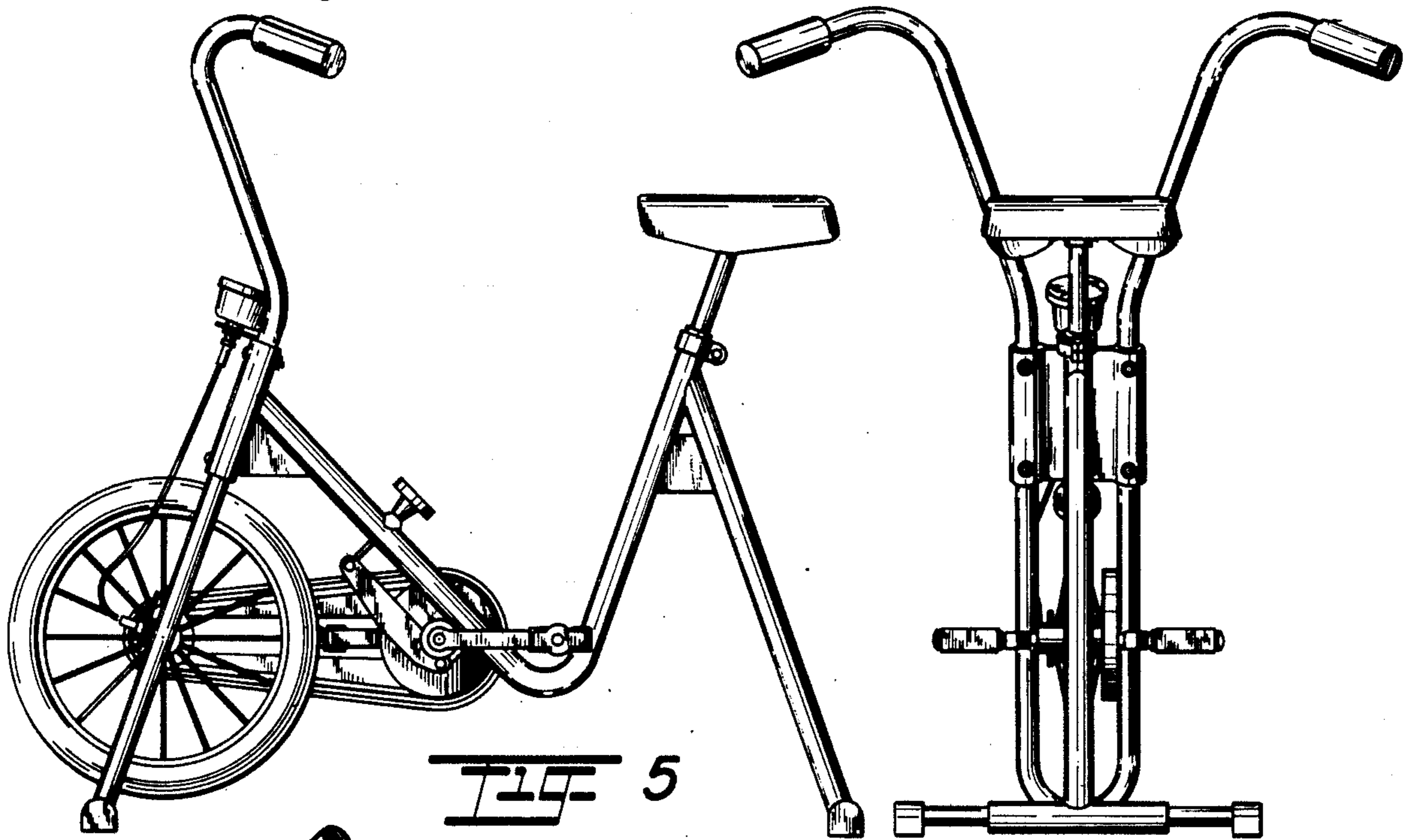


FIG. 5

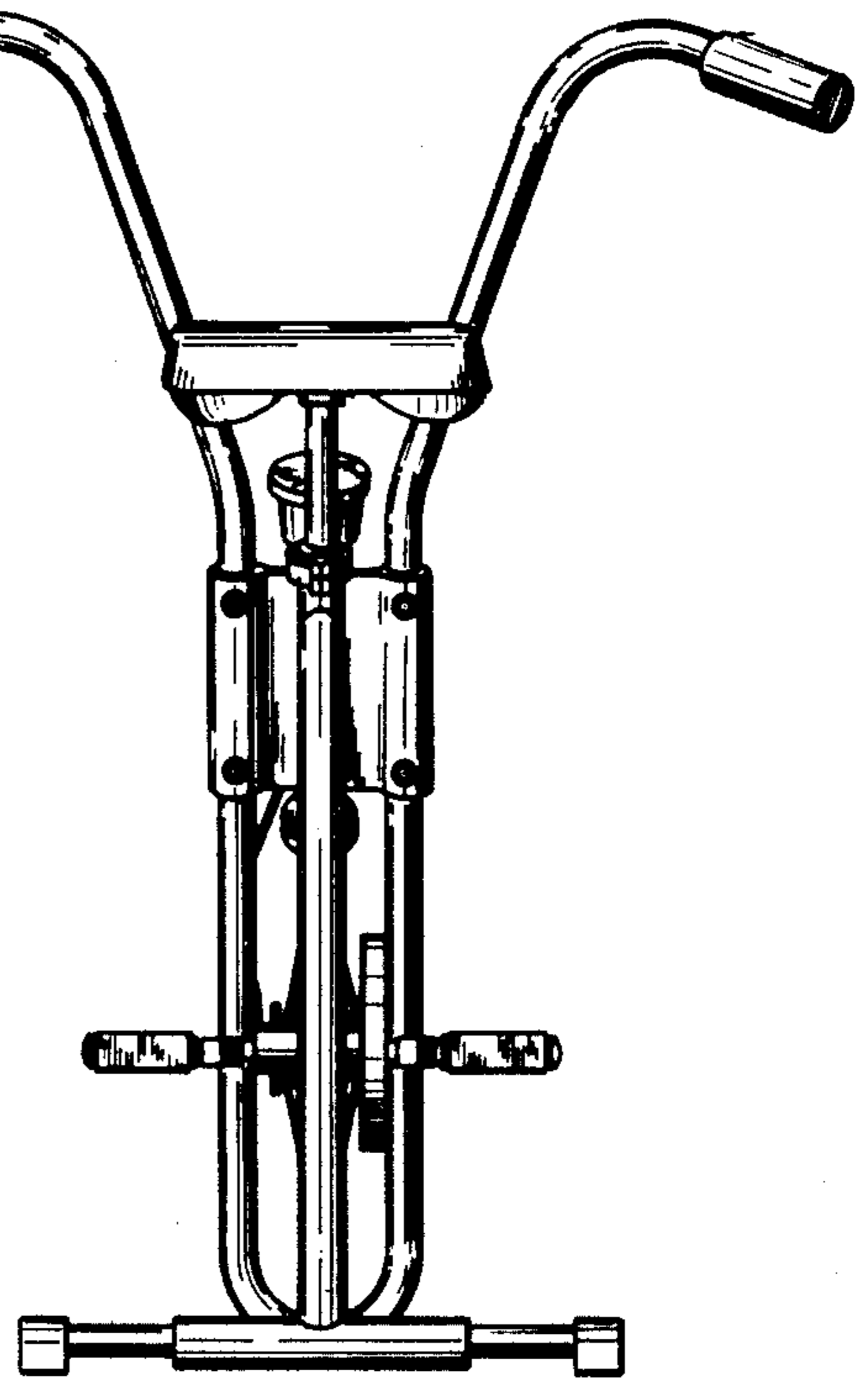


FIG. 6

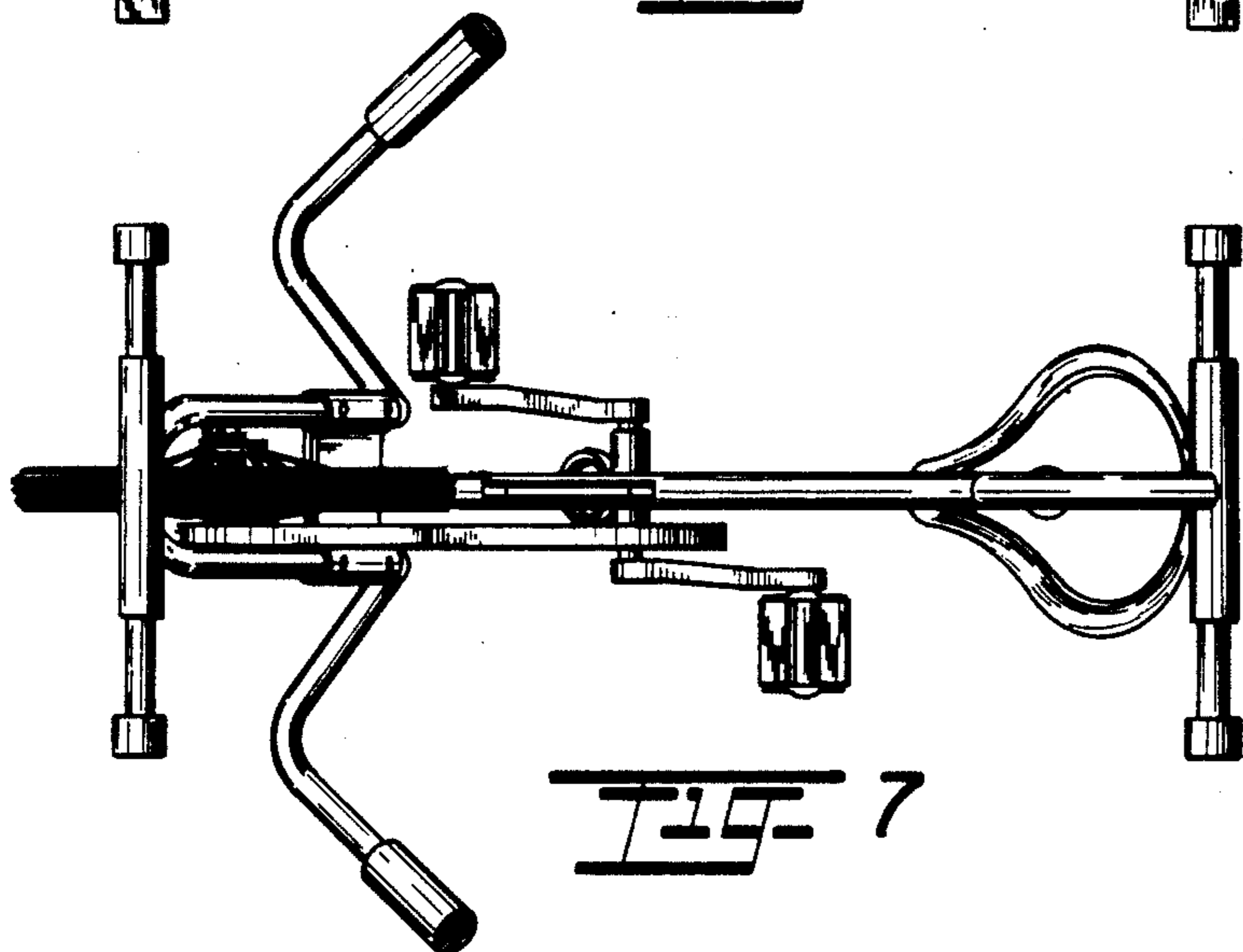


FIG. 7