

[54] MINIATURE CAMERA

[75] Inventor: **Heinz Waaske**, Mascherode, Germany

[73] Assignee: **Rollei-Werke Franke & Heidecke**, Brunswick, Germany

[**] Term: **14 Years**

[21] Appl. No.: **687,529**

[22] Filed: **May 18, 1976**

[30] Foreign Application Priority Data

Dec. 12, 1975 [DE] Fed. Rep. of Germany MR 1070
Mar. 12, 1976 [DE] Fed. Rep. of Germany MR 1082

[51] Int. Cl. **D16-01**

[52] U.S. Cl. **D16/06**

[58] Field of Search **D16/1-10;**
354/75, 83, 100, 126, 151, 152, 159, 170, 174,
202, 288

[56] References Cited

U.S. PATENT DOCUMENTS

D. 228,681	10/1973	Swayze	D16/6
D. 236,916	9/1975	Wolfe	D16/10
3,938,170	2/1976	Winkler et al.	354/187 X
4,012,754	3/1977	Waaske	354/202 X

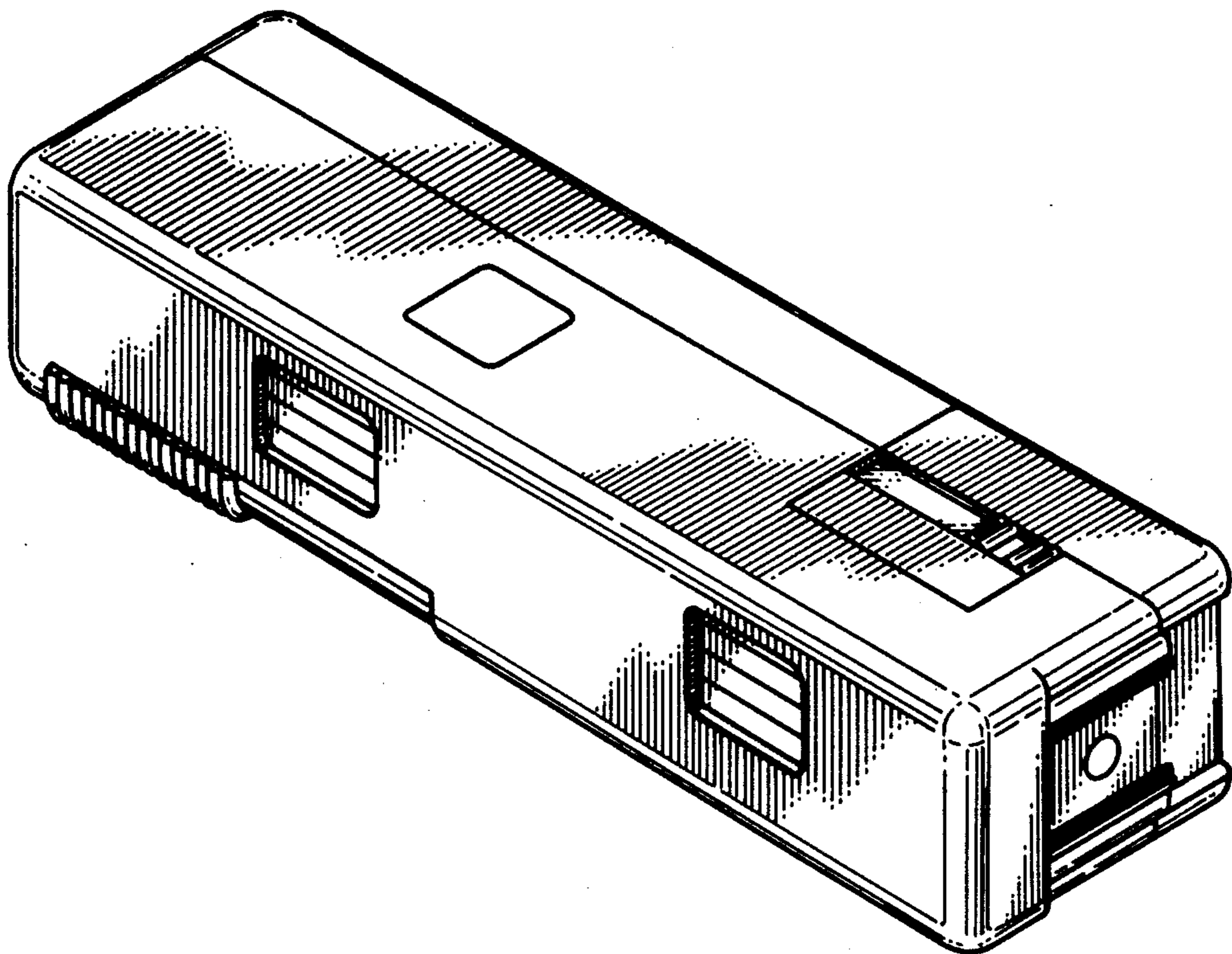
Primary Examiner—Wallace R. Burke
Assistant Examiner—Catherine Kemper
Attorney, Agent, or Firm—Eugene S. Stephens

[57] CLAIM

The ornamental design for a miniature camera, substantially as shown and described.

DESCRIPTION

FIG. 1 is a top plan view of a miniature camera, showing my new design;
FIG. 2 is a front elevational view thereof;
FIG. 3 is a bottom plan view thereof;
FIG. 4 is a rear elevational view thereof;
FIG. 5 is a right hand end elevational view thereof;
FIG. 6 is a left hand end elevational view thereof;
FIG. 7 is a top perspective view thereof, viewed from the right; and
FIG. 8 is a bottom perspective view thereof, viewed from the left.



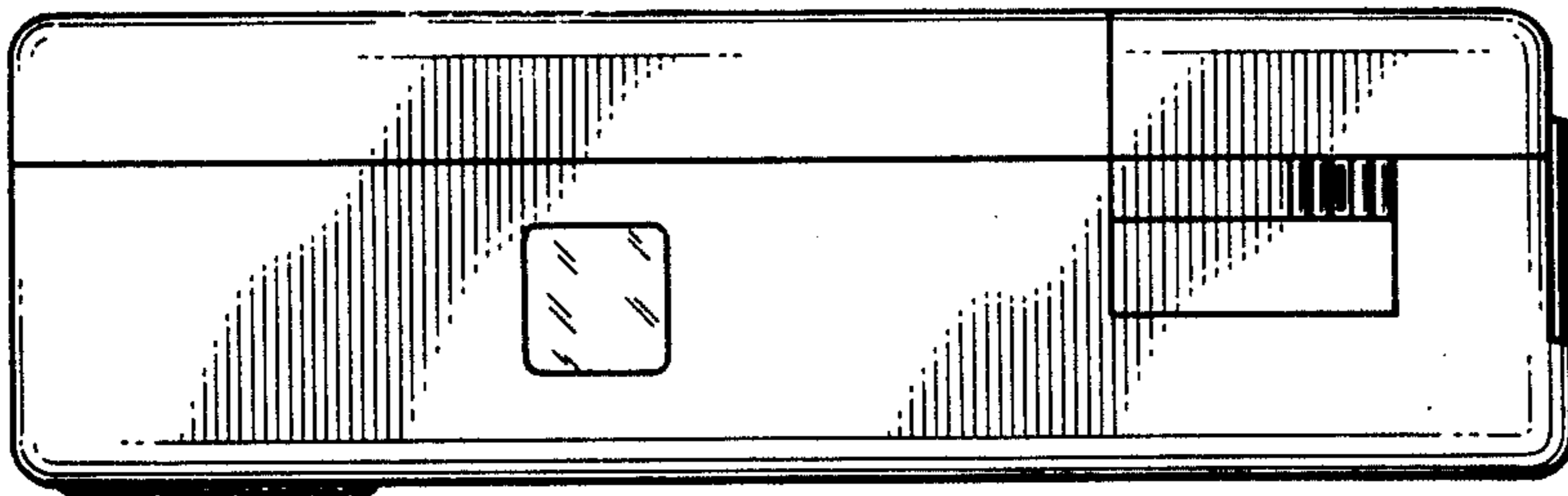


FIG. 1

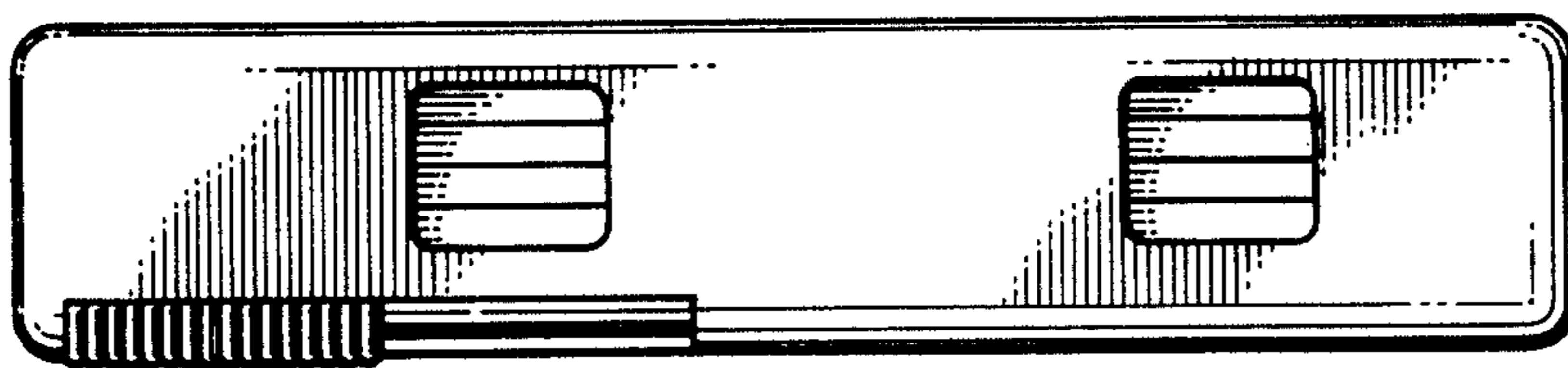


FIG. 2

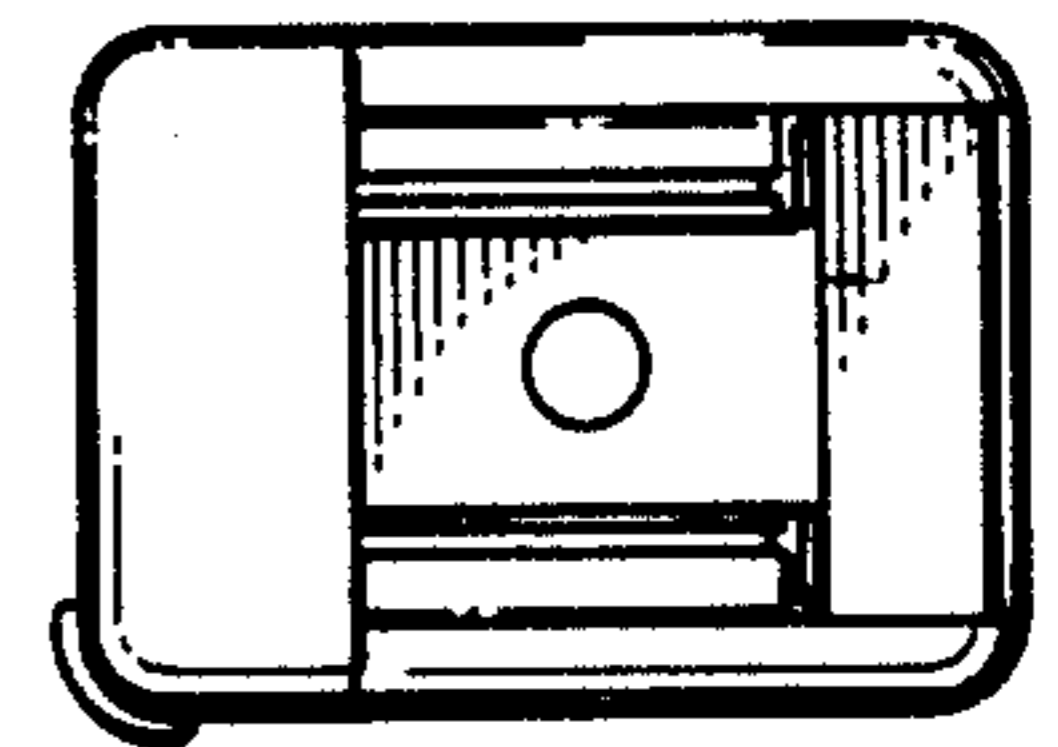


FIG. 5

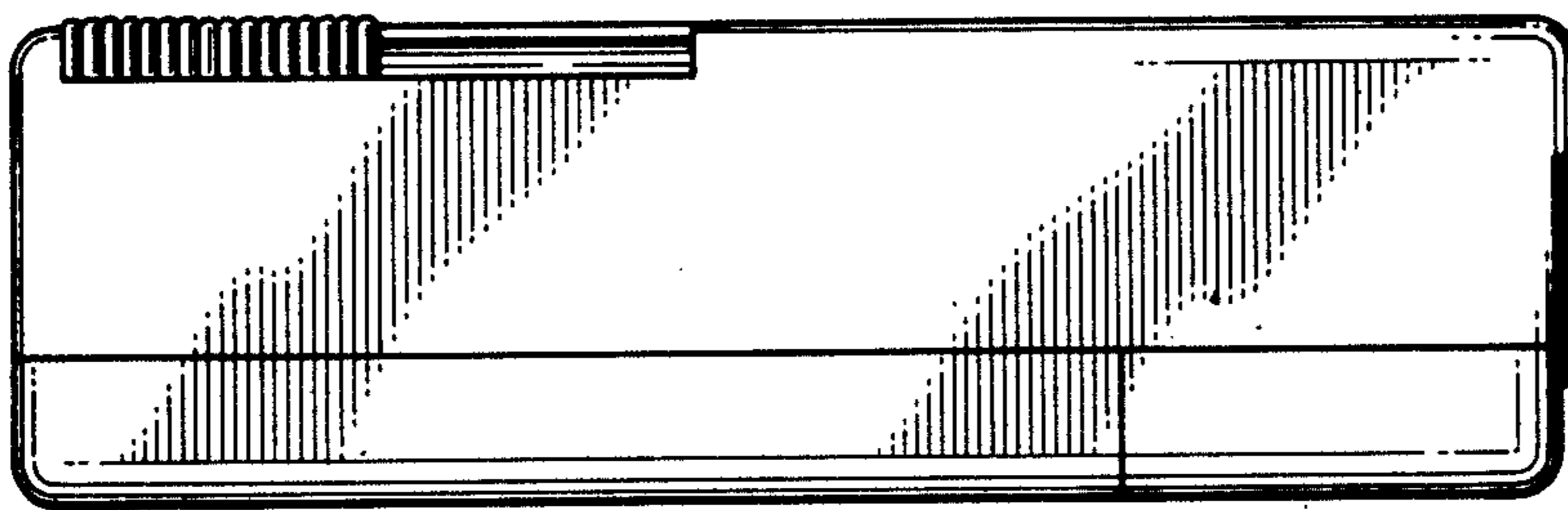


FIG. 3

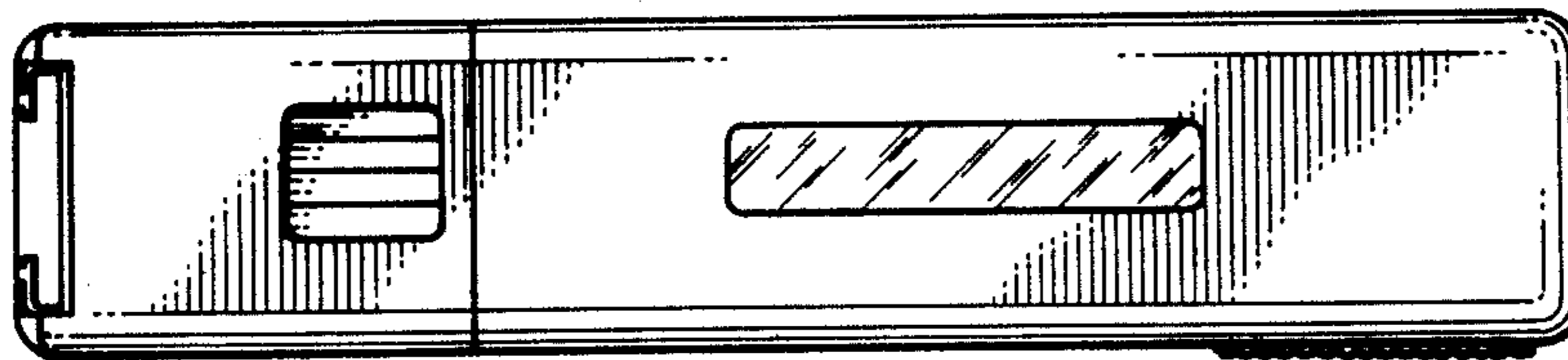


FIG. 4

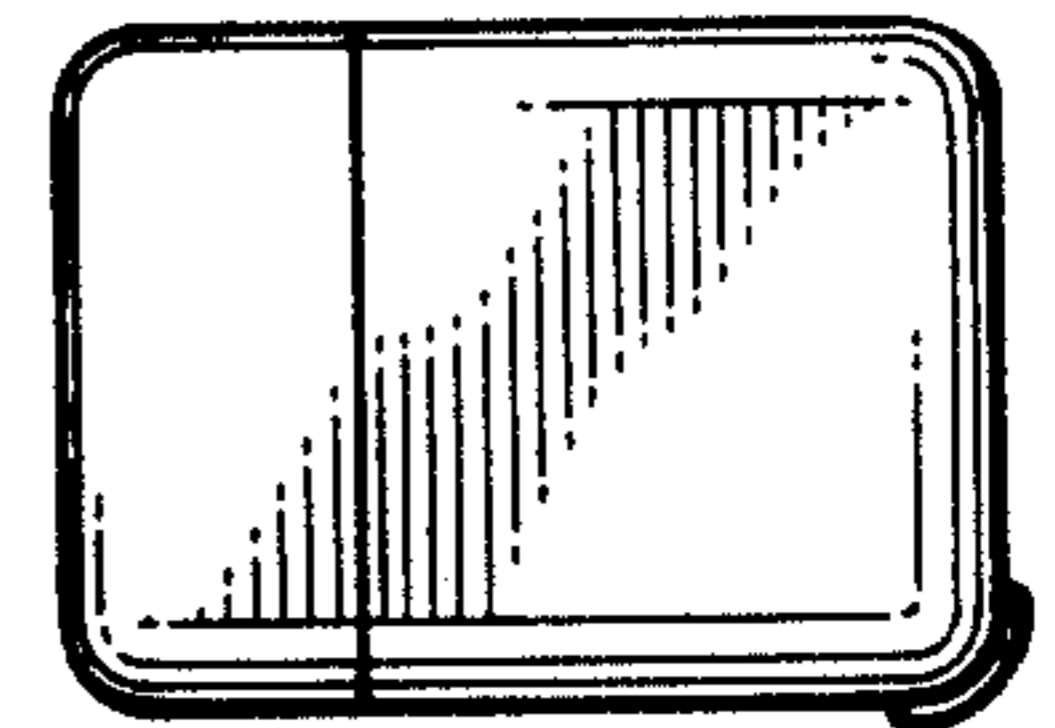


FIG. 6

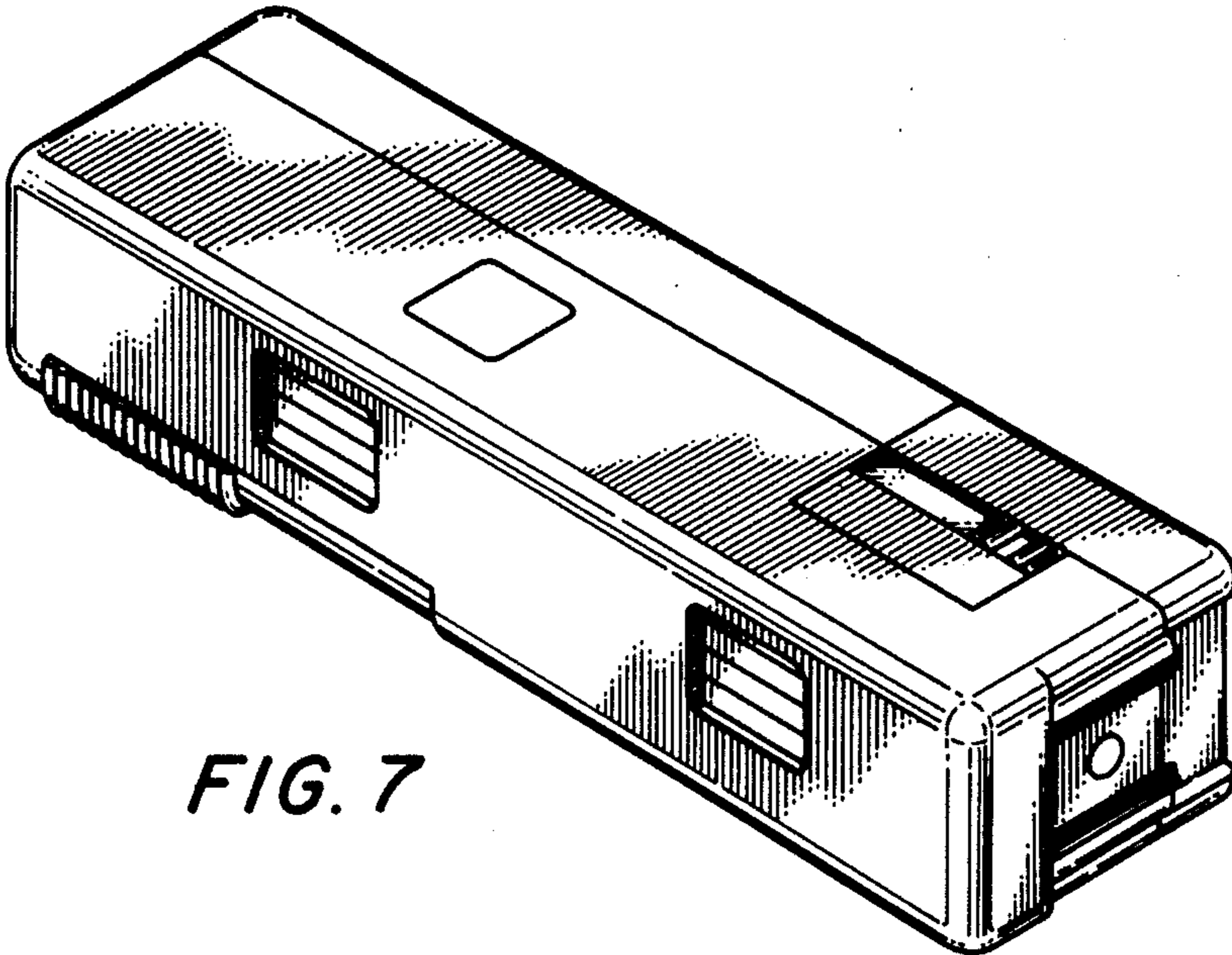


FIG. 7

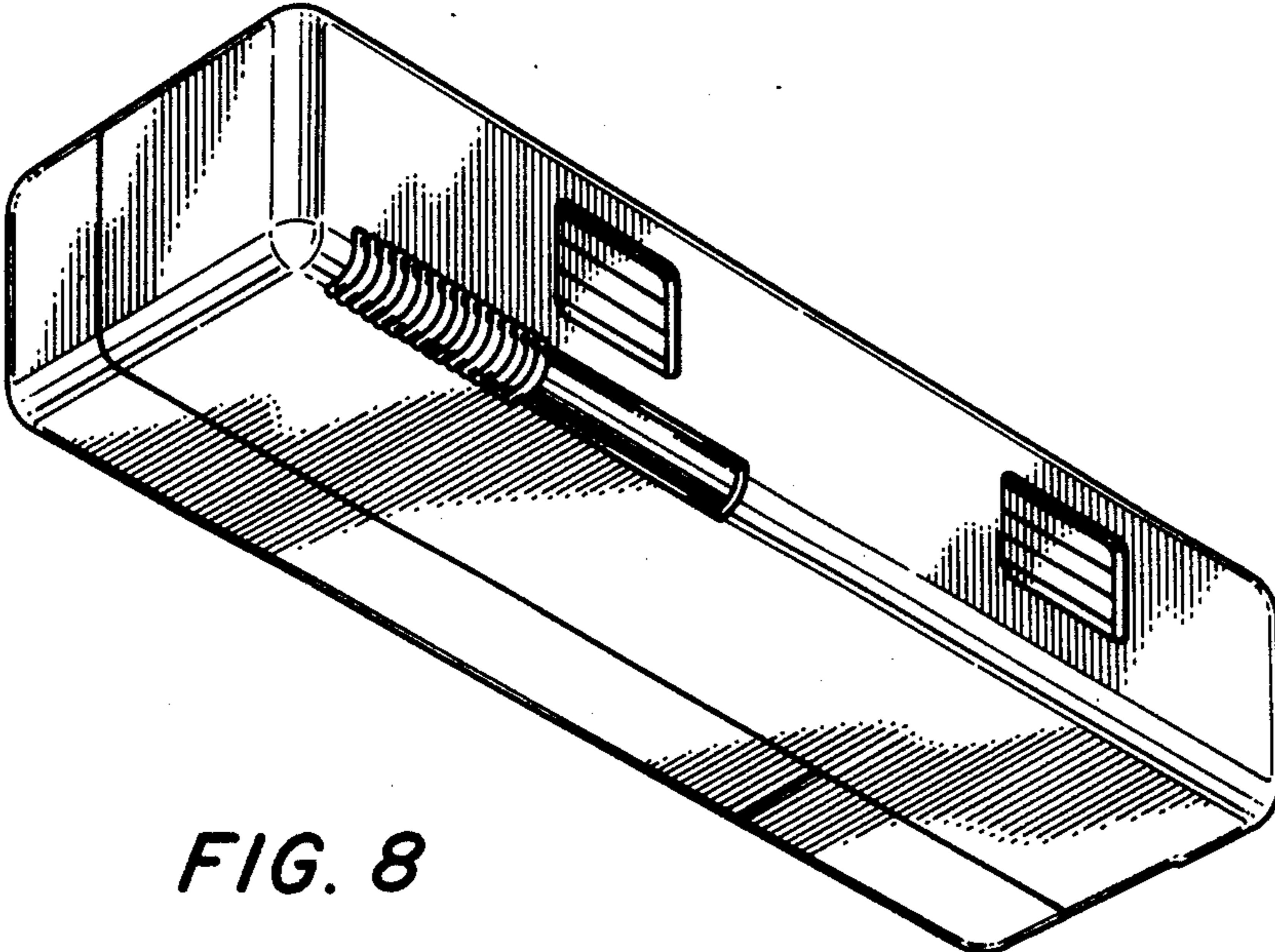


FIG. 8