

[54] CAMERA

[75] Inventors: Tsuneaki Munakata; Hiroshi Fukuda, both of Tokyo, Japan

[73] Assignee: Fuji Photo Film Co. Ltd., Minami-ashigara, Japan

[**] Term: 14 Years

[21] Appl. No.: 683,343

[22] Filed: May 5, 1976

[30] Foreign Application Priority Data

Jan. 9, 1976 [JP] Japan 51/1111

[51] Int. Cl. D16-01

[52] U.S. Cl. D16/06; D16/01

[58] Field of Search D16/1-10; 354/75, 83, 100, 126, 151, 152, 159, 170, 174, 202, 288

[56]

References Cited

U.S. PATENT DOCUMENTS

| | | | |
|------------|---------|------------------|---------|
| D. 203,899 | 2/1966 | Yanagisawa | D16/1 |
| D. 233,367 | 10/1974 | Bourke | D16/6 |
| D. 234,542 | 3/1975 | Quinn | D16/5 |
| 3,768,387 | 10/1973 | Hasegawa | D16/8 X |

Primary Examiner—Wallace R. Burke
Assistant Examiner—Catherine Kemper
Attorney, Agent, or Firm—Richard C. Sughrue

[57]

CLAIM

The ornamental design for a camera, as shown.

DESCRIPTION

FIG. 1 is a front elevational view of a camera showing our new design;
FIG. 2 is a front, top and left side perspective view thereof; and
FIG. 3 is a rear, bottom and right side perspective view thereof.

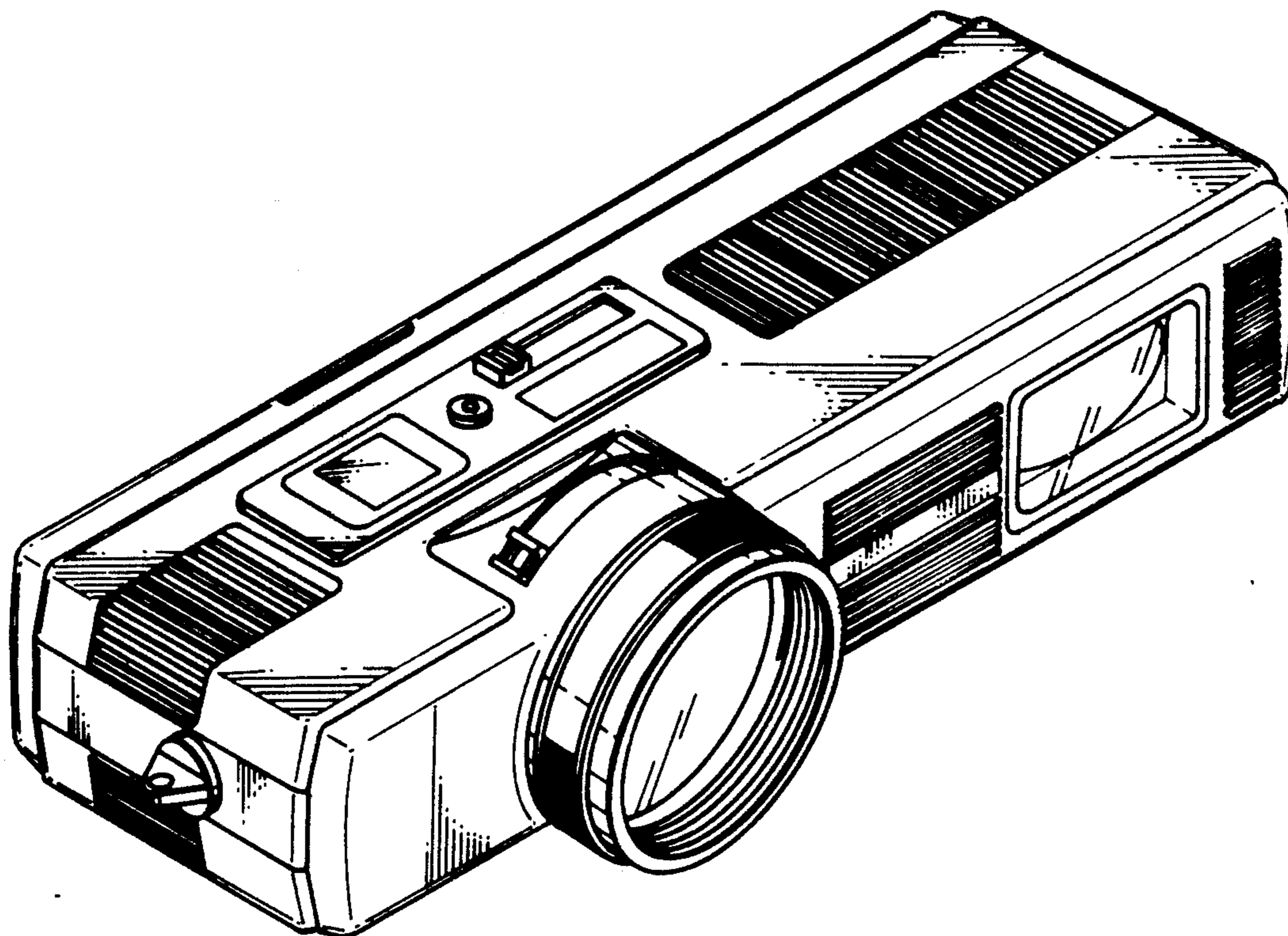


Fig. 1

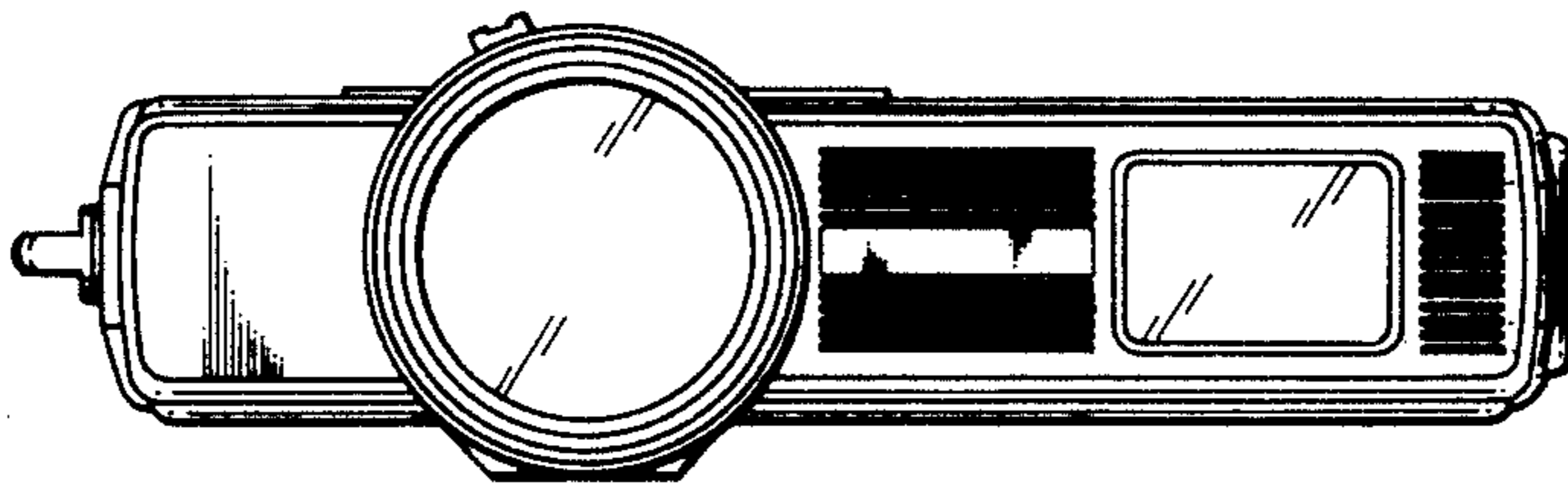


Fig. 2

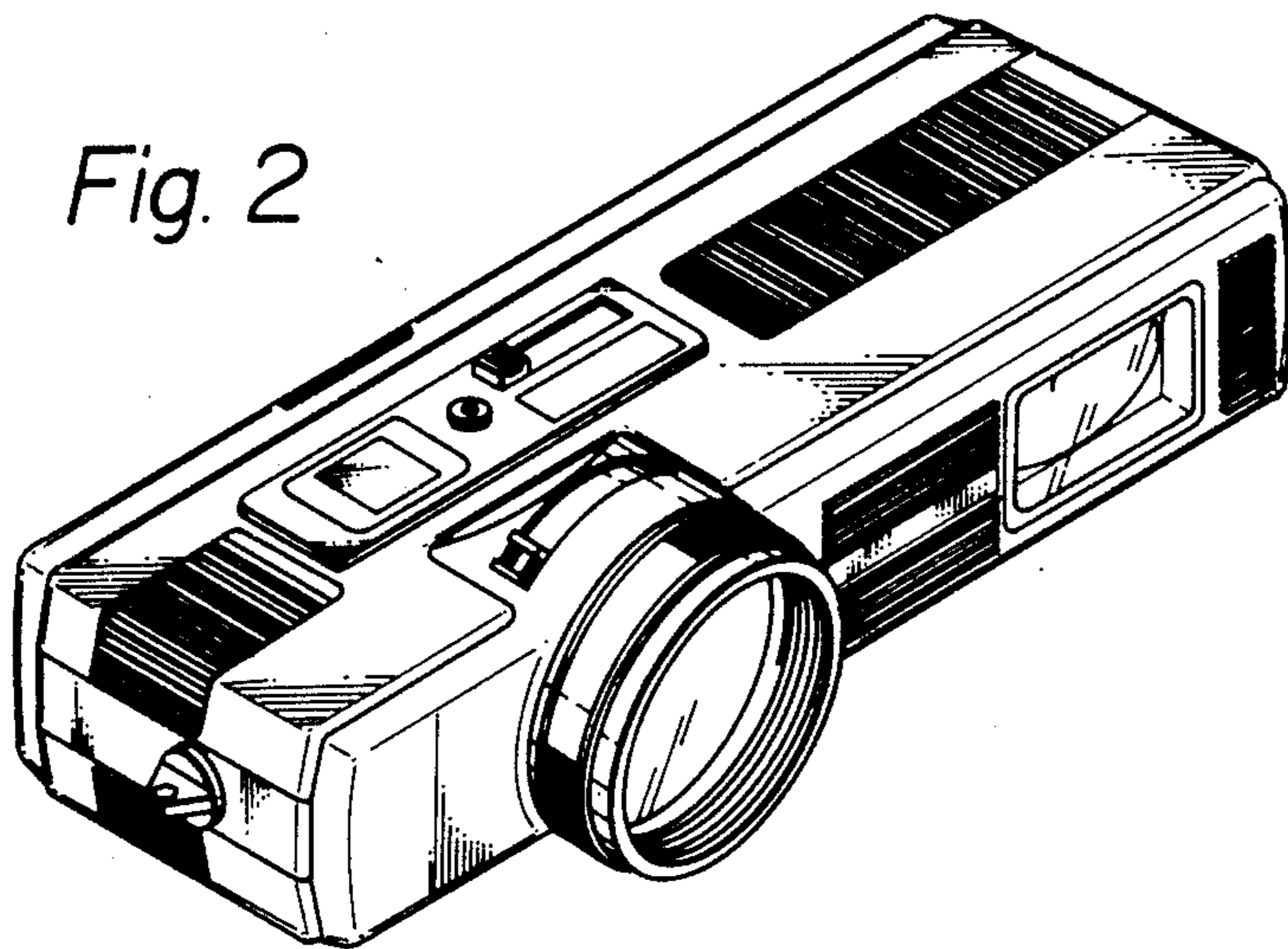


Fig. 3

