

[54] **IRRIGATION SHAFT GUARD**
 [76] Inventor: **Stephen R. Qualls**, Box 321, Booker, Tex. 79005
 [**] Term: **14 Years**
 [21] Appl. No.: **727,046**
 [22] Filed: **Sep. 27, 1976**
 [51] Int. Cl. **D15-99**
 [52] U.S. Cl. **D15/138; 74/607; 74/609**
 [58] Field of Search **D23/1-4; D15/138, 148; 74/607, 609**

2,496,544 2/1950 Kee 74/609 X
 2,512,528 6/1950 Halman 74/609 X
 3,797,328 3/1974 Quirk 74/609

Primary Examiner—James R. Largen
Attorney, Agent, or Firm—Charles W. Coffee

[57] **CLAIM**

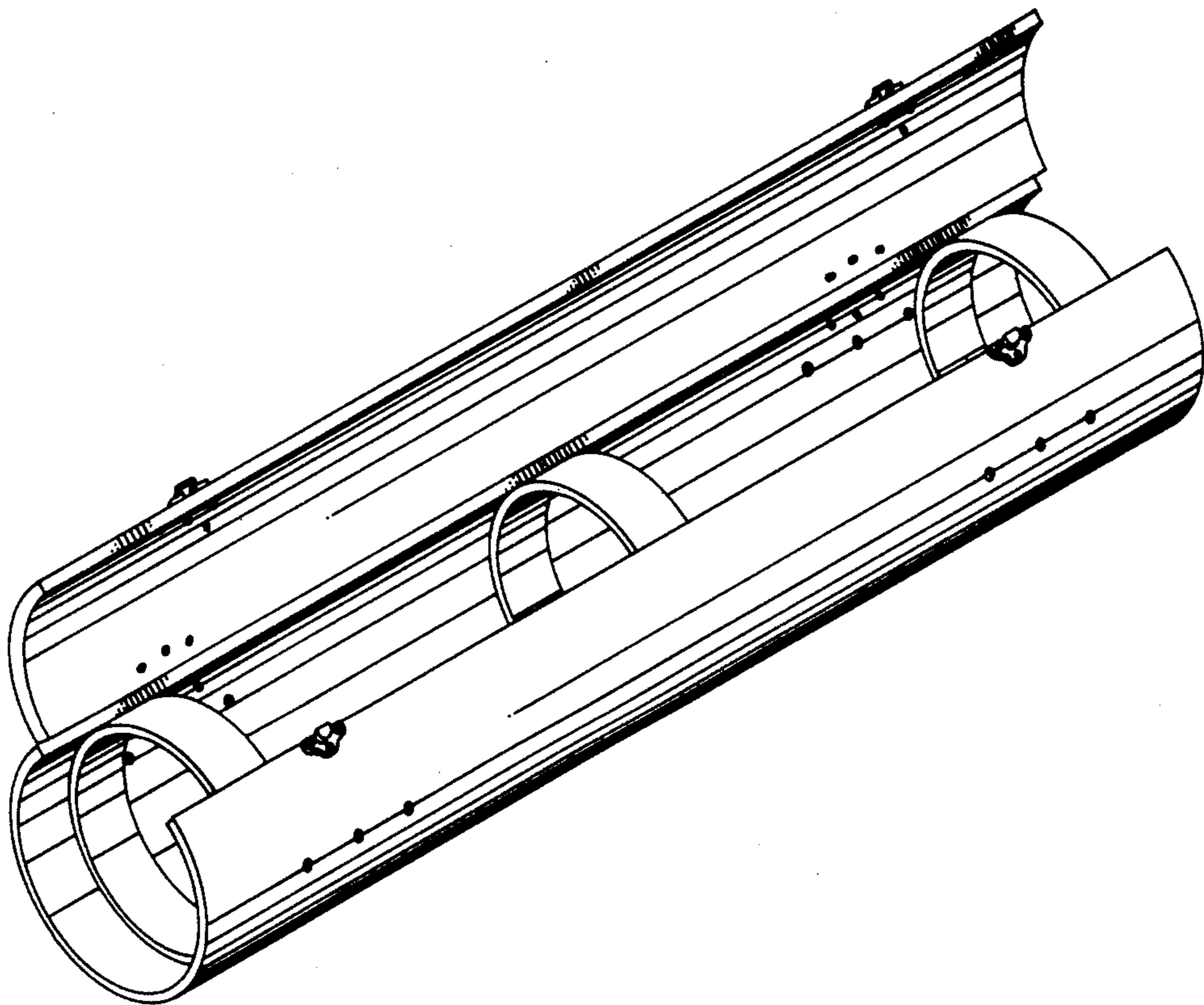
The ornamental design for an irrigation shaft guard, as shown and described.

DESCRIPTION

FIG. 1 is a side elevational view of an irrigation shaft guard showing my new design, the broken line illustration of an irrigation motor and irrigation gear head is for the purpose of illustration only;
 FIG. 2 is a perspective view thereof showing the cover in an open position;
 FIG. 3 is an end elevational view thereof;
 FIG. 4 is a fragmentary cross sectional view taken on line 4-4 of FIG. 3;
 FIG. 5 is an elevational view taken from the side shown in FIG. 1;
 FIG. 6 is an elevational view taken from the side opposite that shown in FIG. 5;
 FIG. 7 is a top plan view thereof; and
 FIG. 8 is a bottom plan view thereof.

[56] **References Cited**
U.S. PATENT DOCUMENTS

D. 35,327	11/1901	Kellogg	D23/1
D. 121,504	7/1940	Blazek et al.	D15/138
D. 133,536	8/1942	Stoudt	D15/138
D. 199,412	10/1964	Griggs, Jr.	D15/138
D. 205,916	10/1966	Pelsuro	D23/1
D. 237,178	10/1975	Wilson	D23/1
D. 241,770	10/1976	Davies, III	D15/138
1,232,953	7/1917	Mills	74/609
2,484,731	10/1949	Pritchett	74/609 X



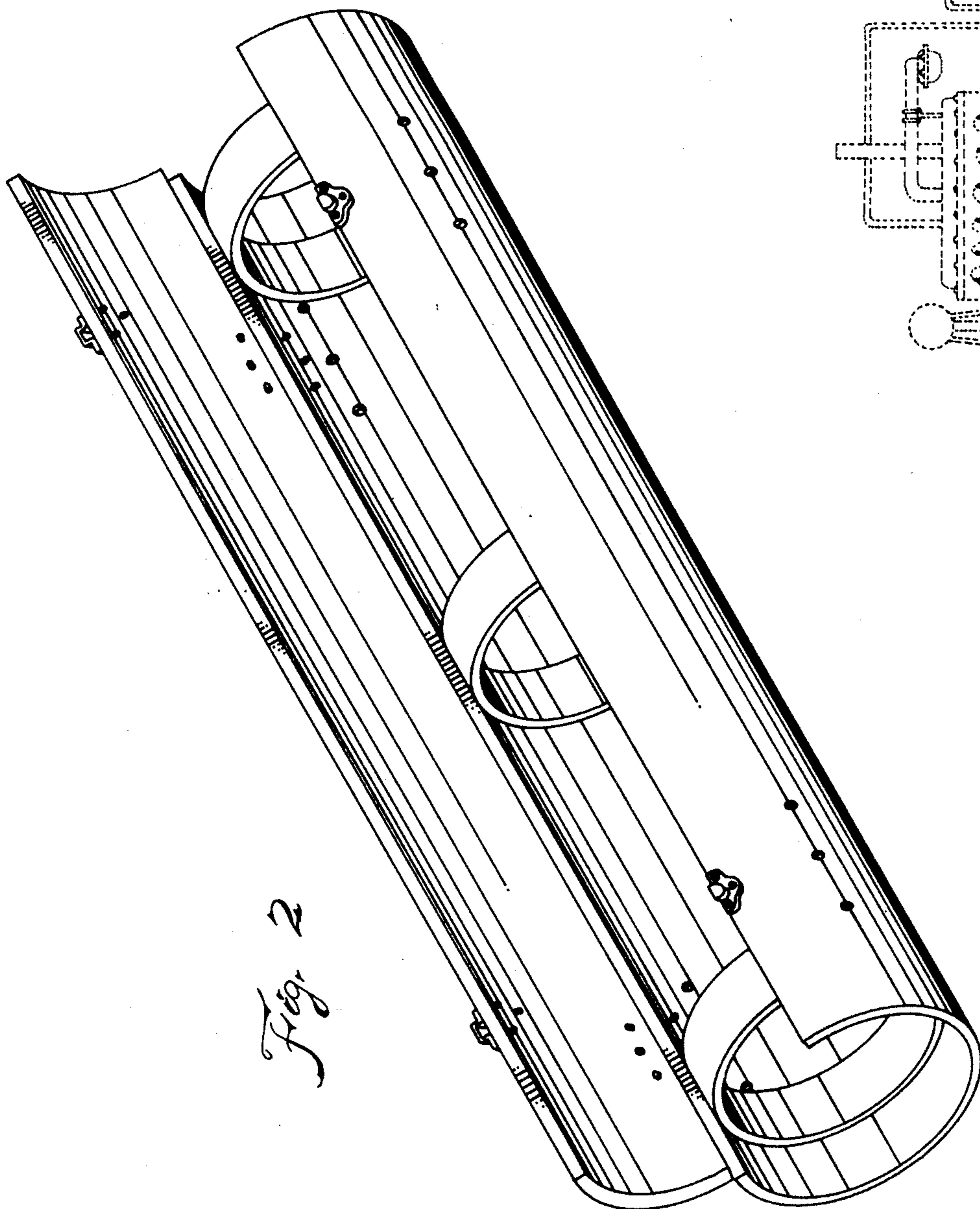
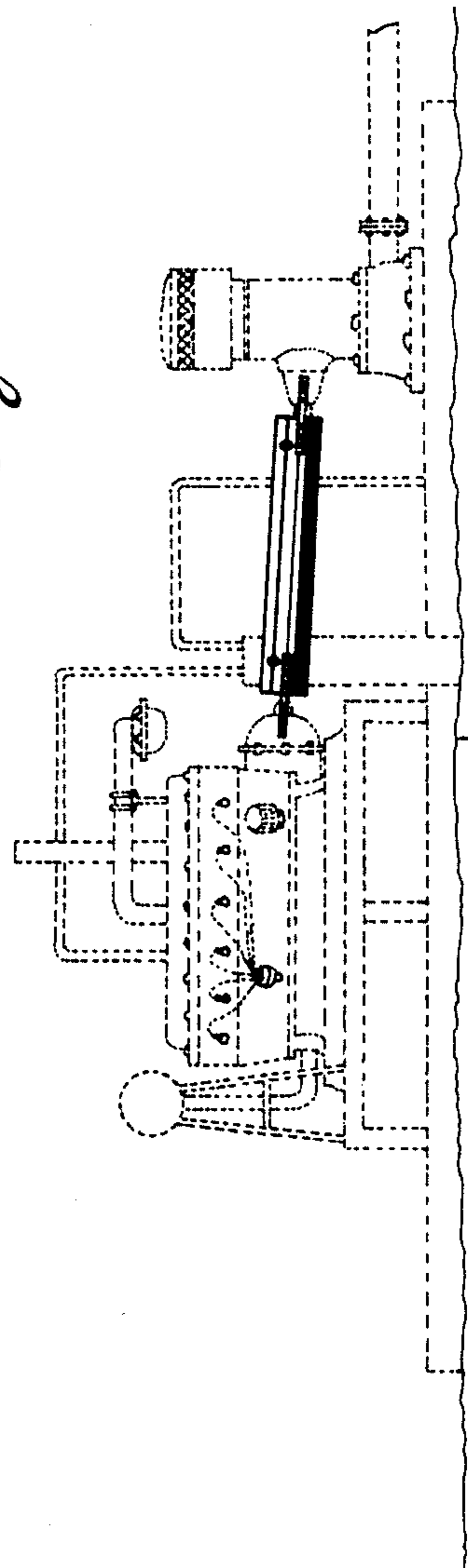


Fig. 2

Fig. 1



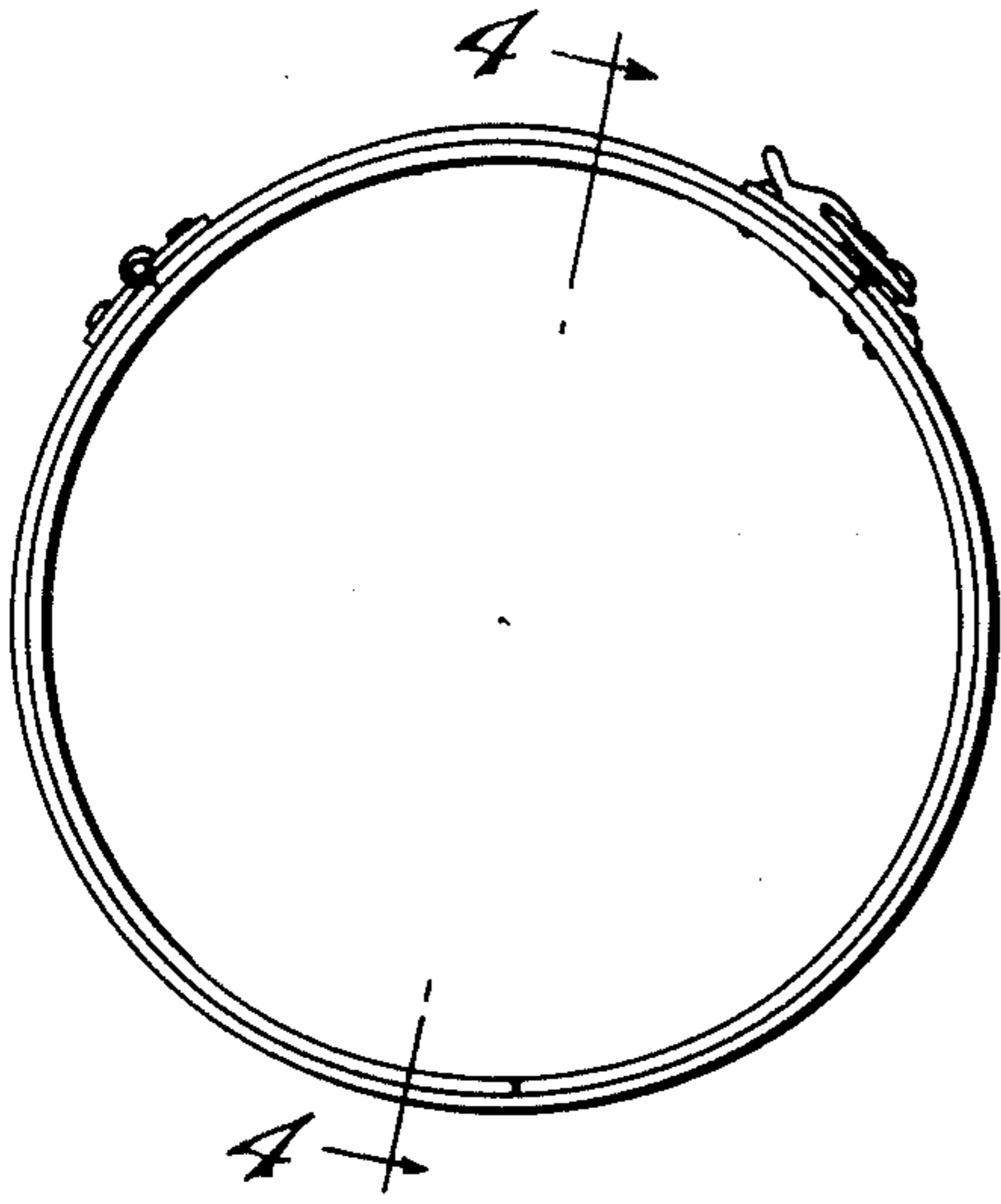


Fig. 3

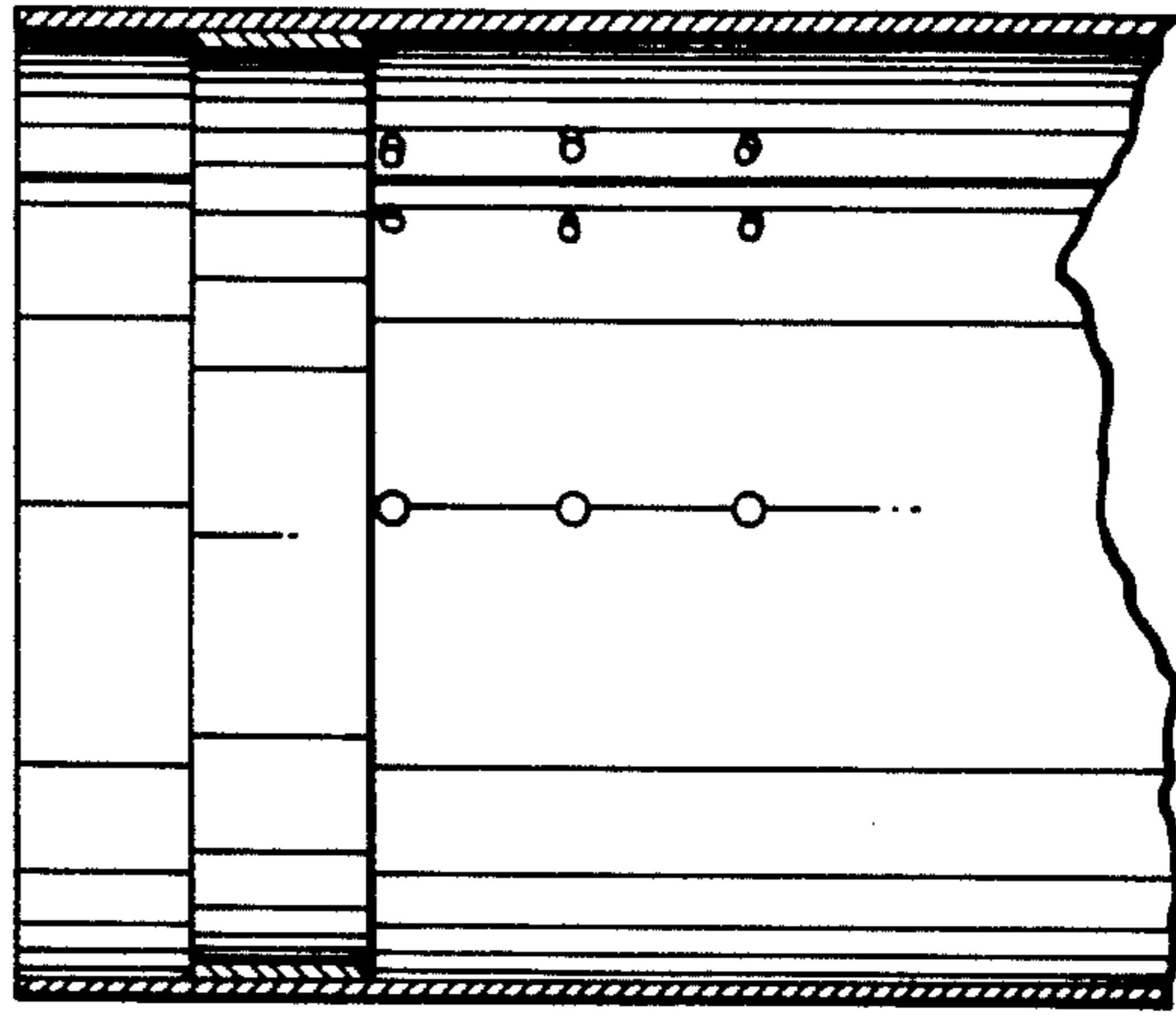


Fig. 4

Fig. 5

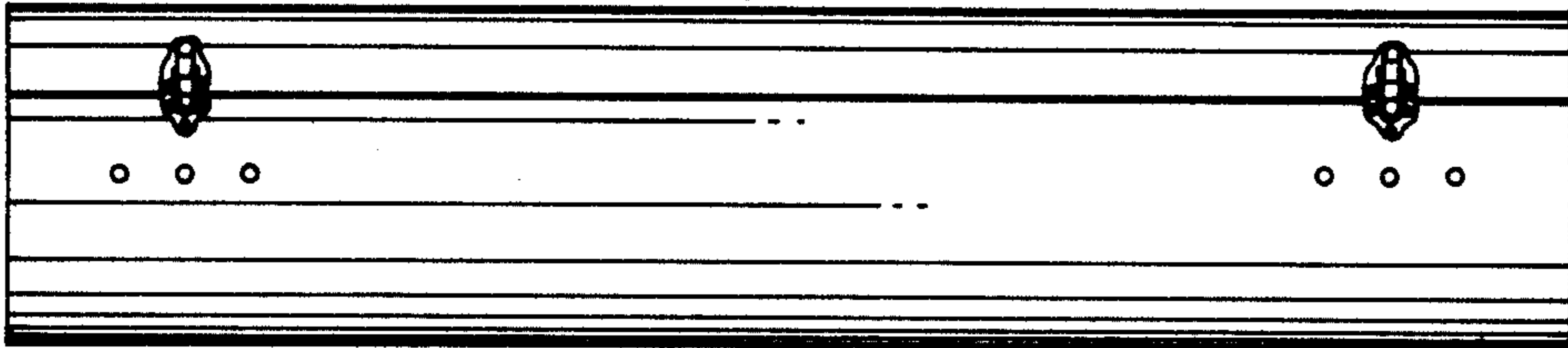


Fig. 6

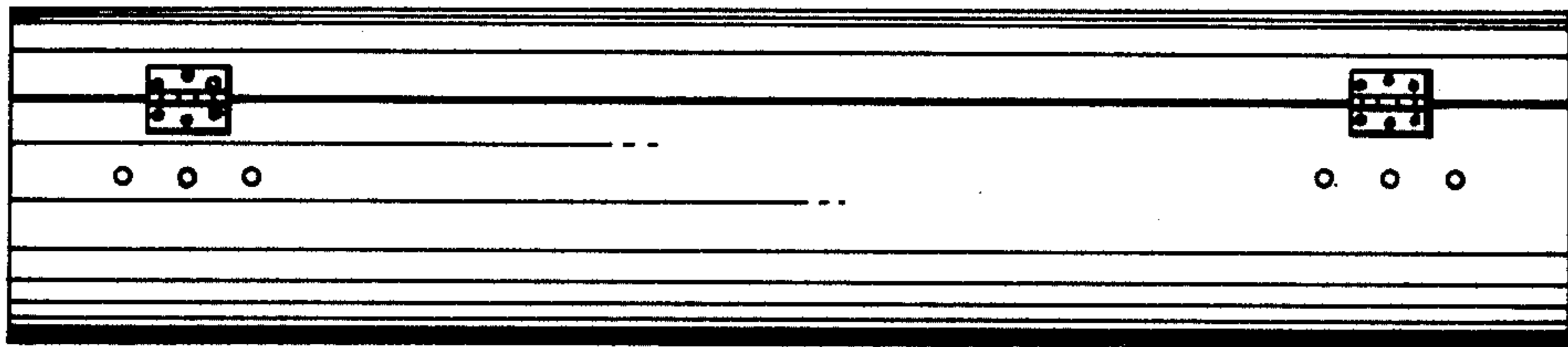


Fig. 7

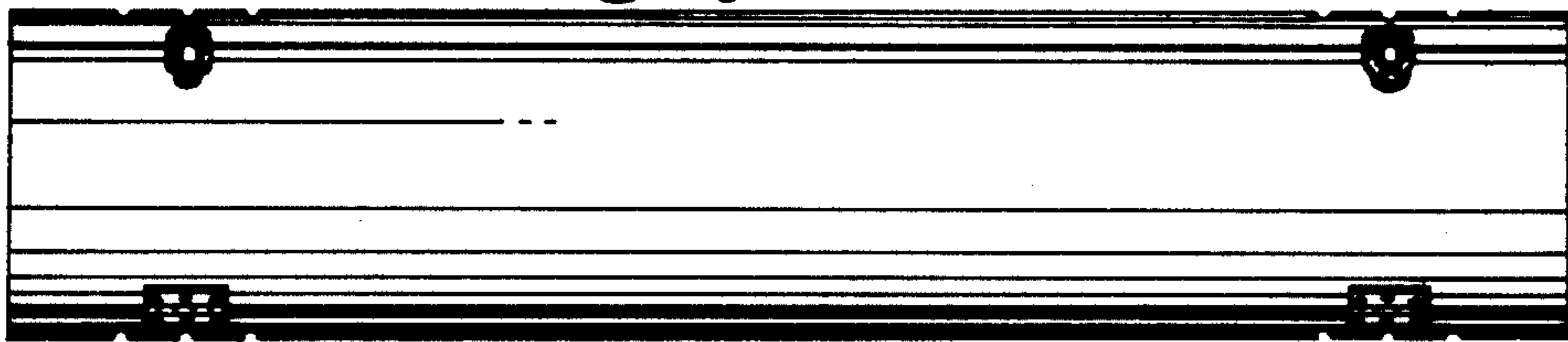


Fig. 8

