

[54] PRESS FRAME

[75] Inventors: Anthony Caccioli, Long Meadow, Mass.; Philip A. Carlson, Glastonbury, Conn.; David Guidi, Springfield, Mass.

[73] Assignee: Gulf & Western Manufacturing Company

[**] Term: 14 Years

[21] Appl. No.: 747,121

[22] Filed: Dec. 2, 1976

[51] Int. Cl. D15-09

[52] U.S. Cl. D15/123

[58] Field of Search D15/123, 122, 141; 100/269 R, 224

[56]

References Cited

U.S. PATENT DOCUMENTS

D. 25,884	8/1896	Krieg	D15/141
D. 120,235	4/1940	Bolling	D15/123
D. 143,074	12/1945	Ingle	D15/123
3,190,214	6/1965	Adams et al.	100/269 R X

Primary Examiner—Alan P. Douglas
Attorney, Agent, or Firm—Thomas E. Harrison, Jr.

[57]

CLAIM

The ornamental design for a press frame, as shown and described.

DESCRIPTION

FIG. 1 is a front perspective view of a press frame showing our new design.

FIG. 2 is a top plan view of the press frame.

FIG. 3 is a bottom plan view thereof.

FIG. 4 is a front elevation view thereof.

FIG. 5 is a side elevation view thereof, the opposite side being a mirror image thereof.

FIG. 6 is a rear elevation view thereof.

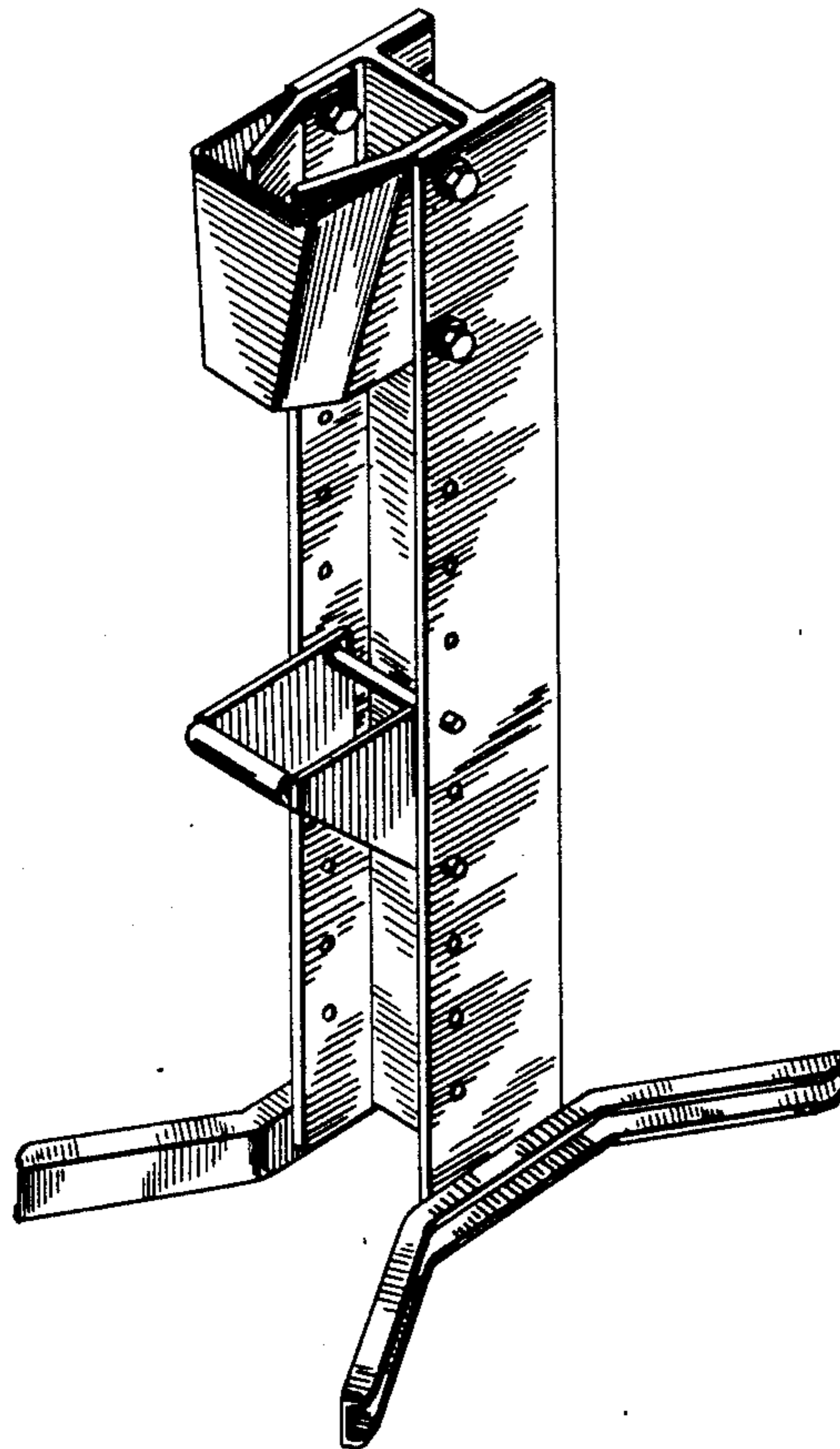


Fig. 1.

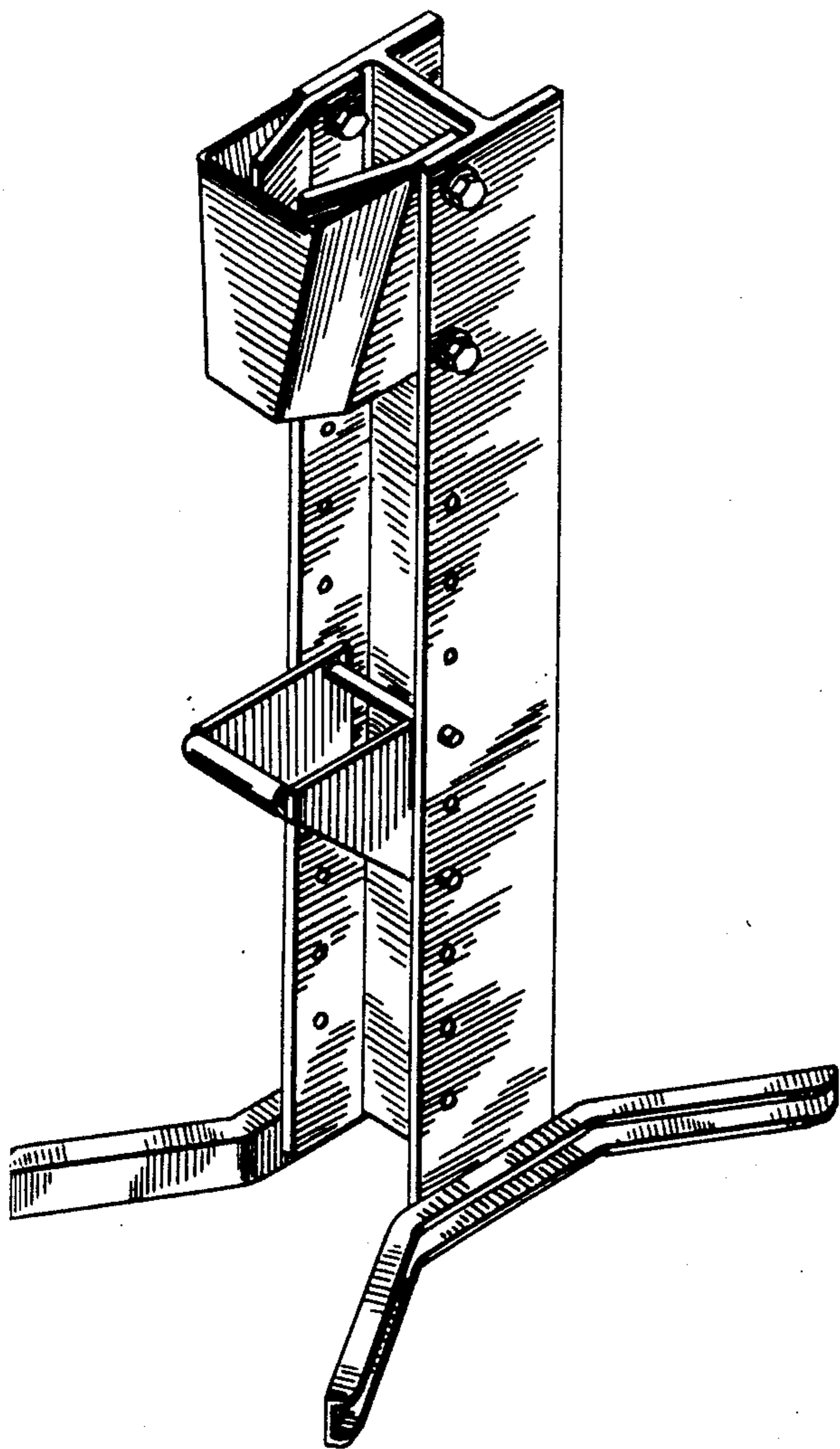


Fig. 2.

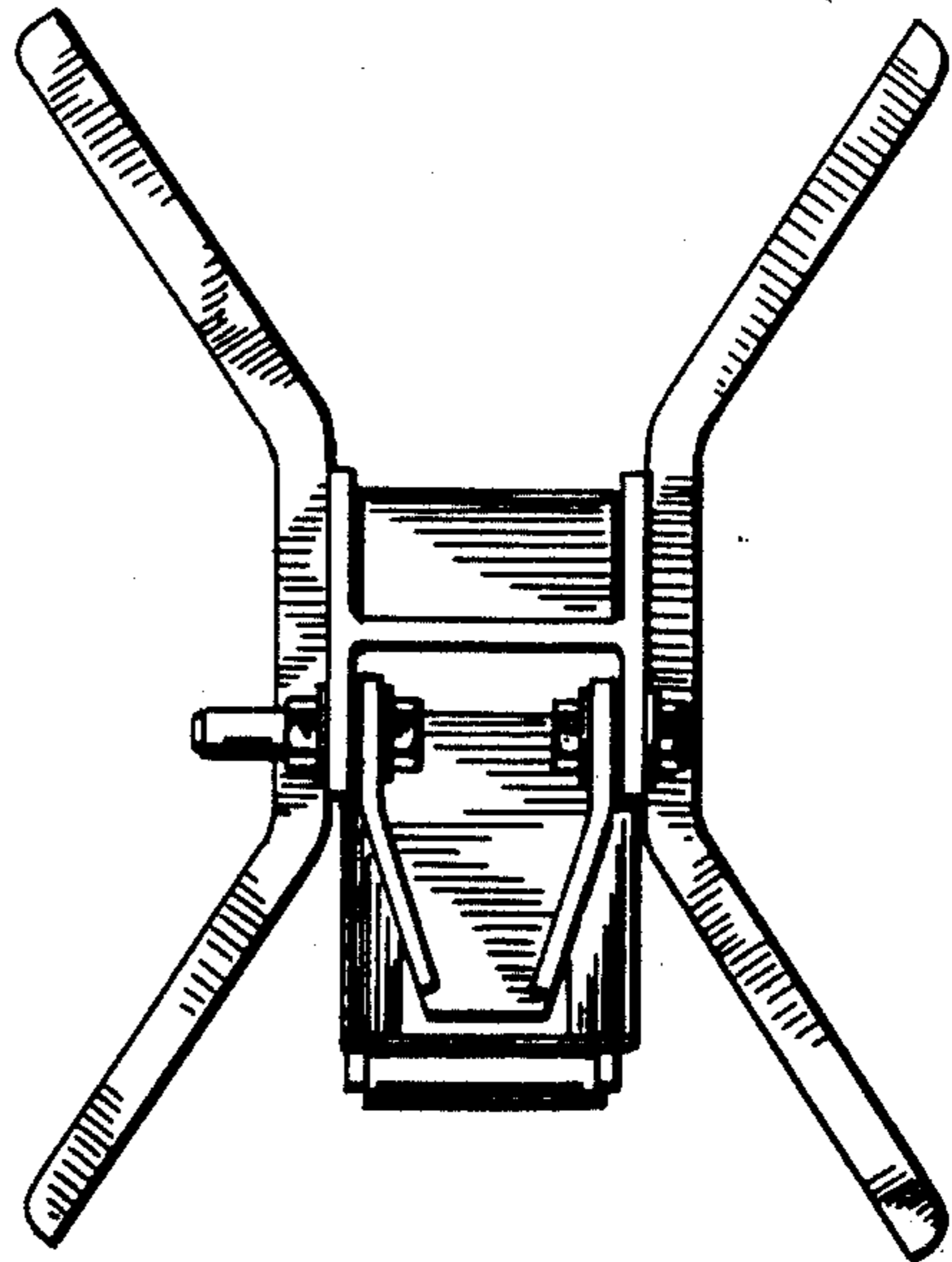


Fig. 3.

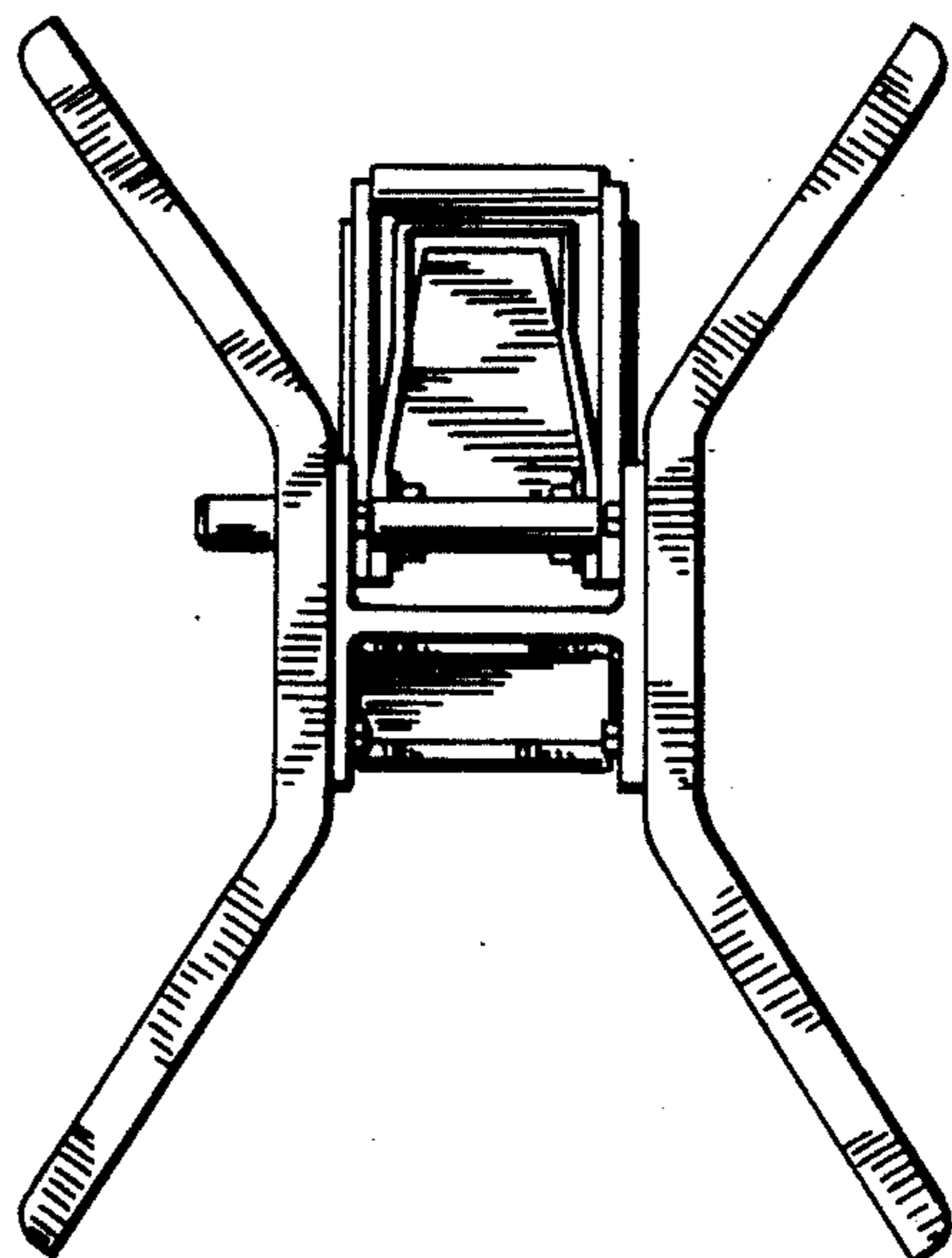


Fig. 6.

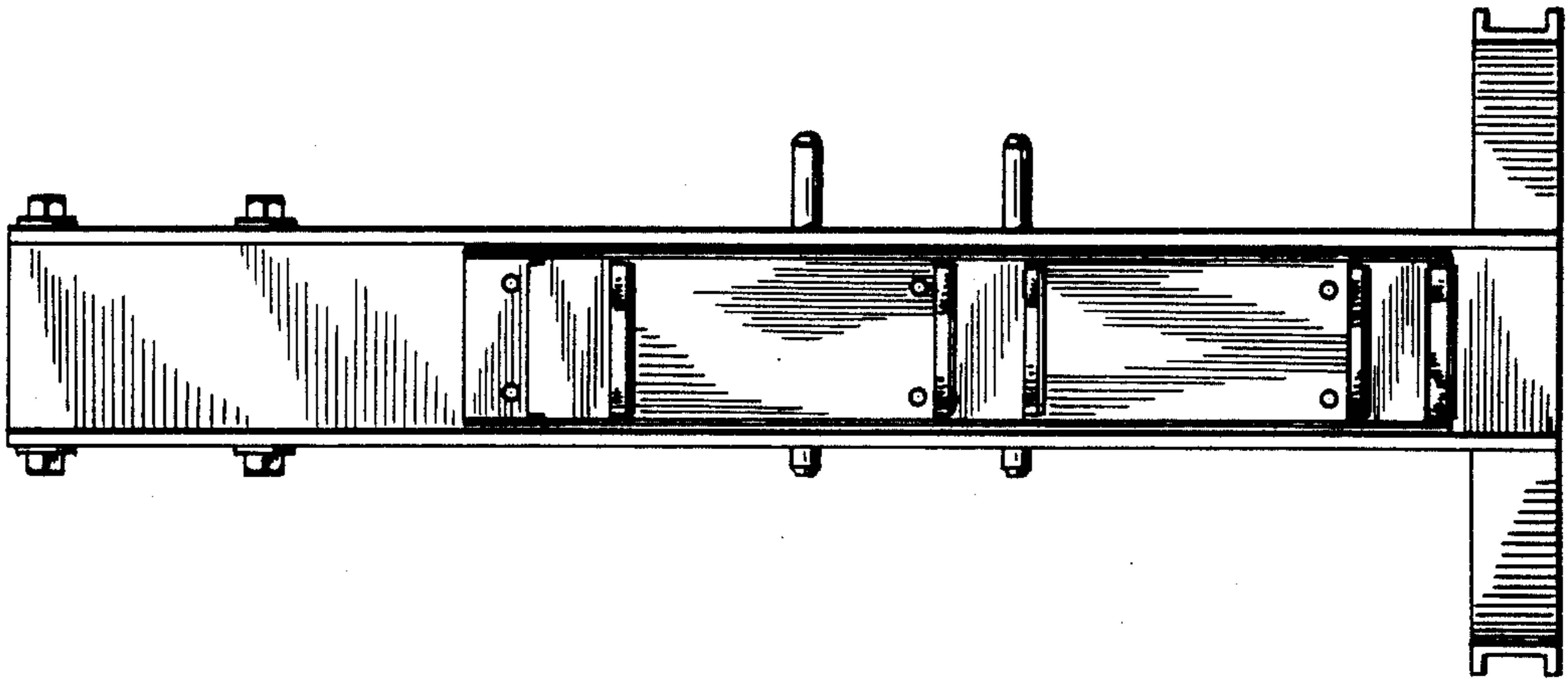


Fig. 5.

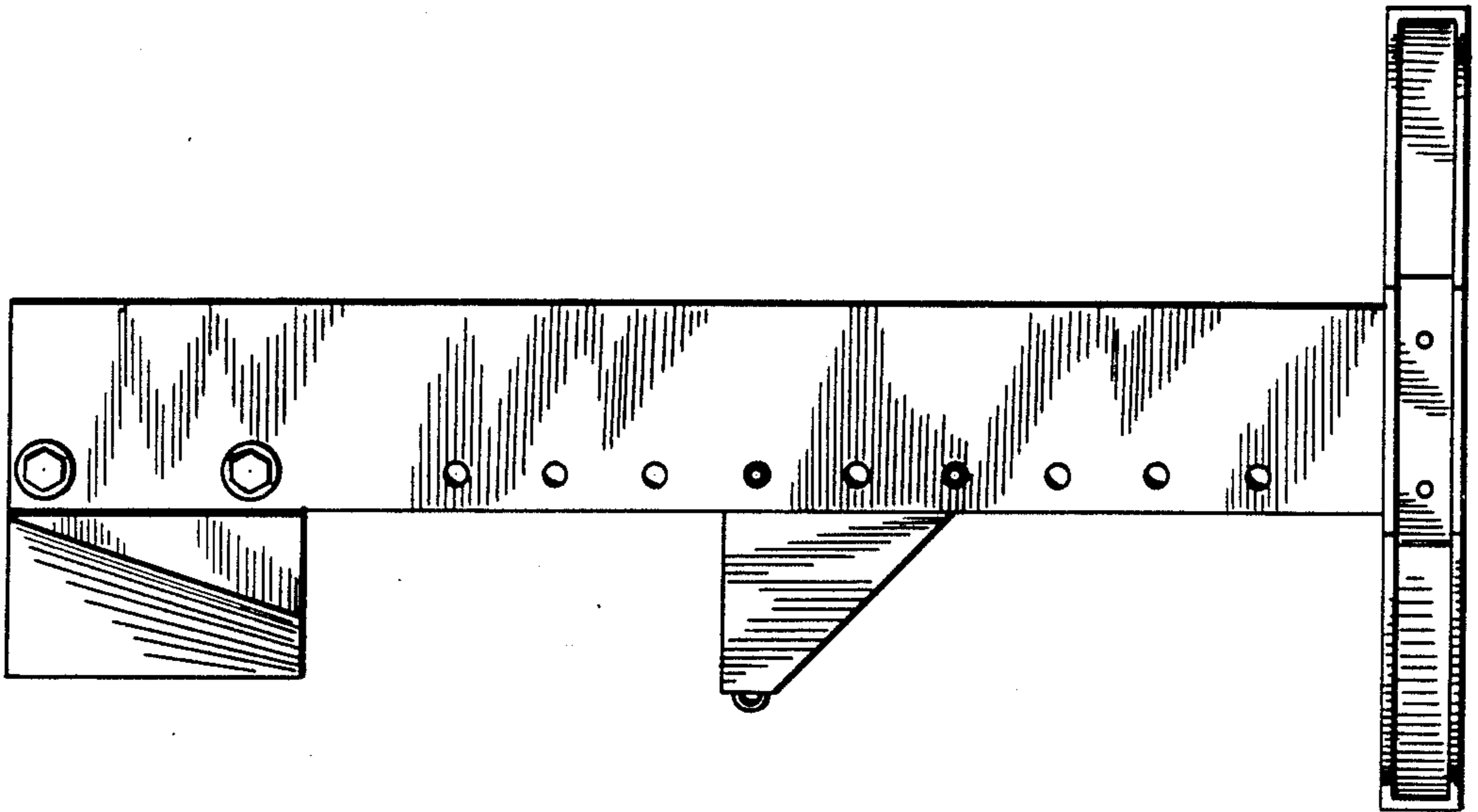


Fig. 4.

