

[54] SEWING MACHINE

[76] Inventor: **George D. LaPolice**, 10 W. Crestwood Ave., Somerville, N.J. 08876

[**] Term: **14 Years**

[21] Appl. No.: **739,751**

[22] Filed: **Nov. 8, 1976**

[51] Int. Cl. **D15-06**

[52] U.S. Cl. **D15/69**

[58] Field of Search **D15/66-72, D15/74, 76, 78; 112/258, 259**

[56] **References Cited**

U.S. PATENT DOCUMENTS

D. 210,053 1/1968 Dreyfuss D15/69

D. 211,425	6/1968	Ueda	D15/69
D. 220,067	3/1971	Eguchi	D15/69
D. 225,574	12/1972	Grange et al.	D15/69
3,913,506	10/1975	Adams et al.	D15/69

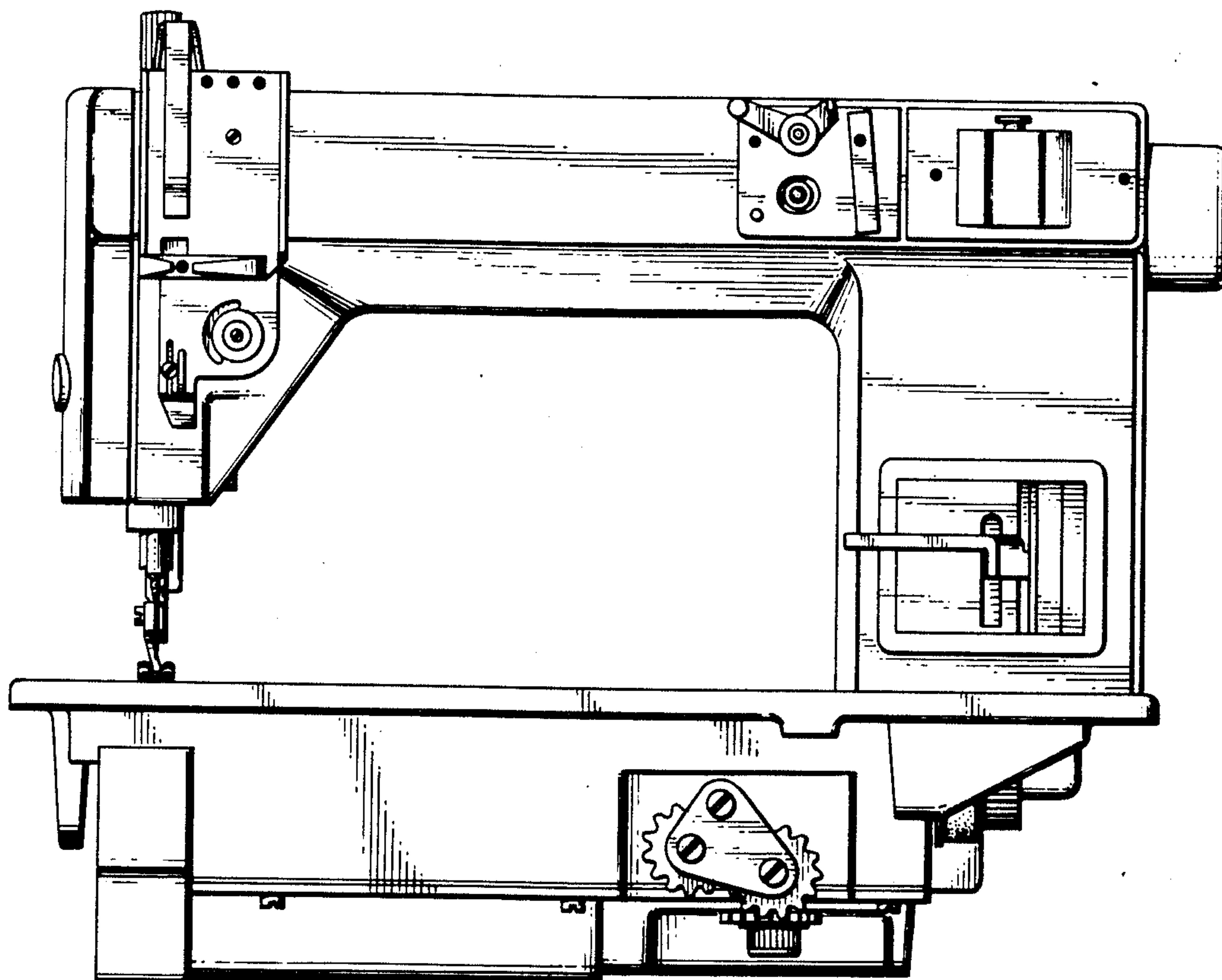
Primary Examiner—Joel Stearman
Assistant Examiner—J. Corrigan
Attorney, Agent, or Firm—Robert E. Smith

[57] **CLAIM**

The ornamental design for a sewing machine, as shown.

DESCRIPTION

FIG. 1 is a front elevational view of a sewing machine showing my new design;
FIG. 2 is a rear elevational view;
FIG. 3 is a top plan view;
FIG. 4 is a left side elevational view;
FIG. 5 is a right side elevational view; and
FIG. 6 is a bottom plan view.



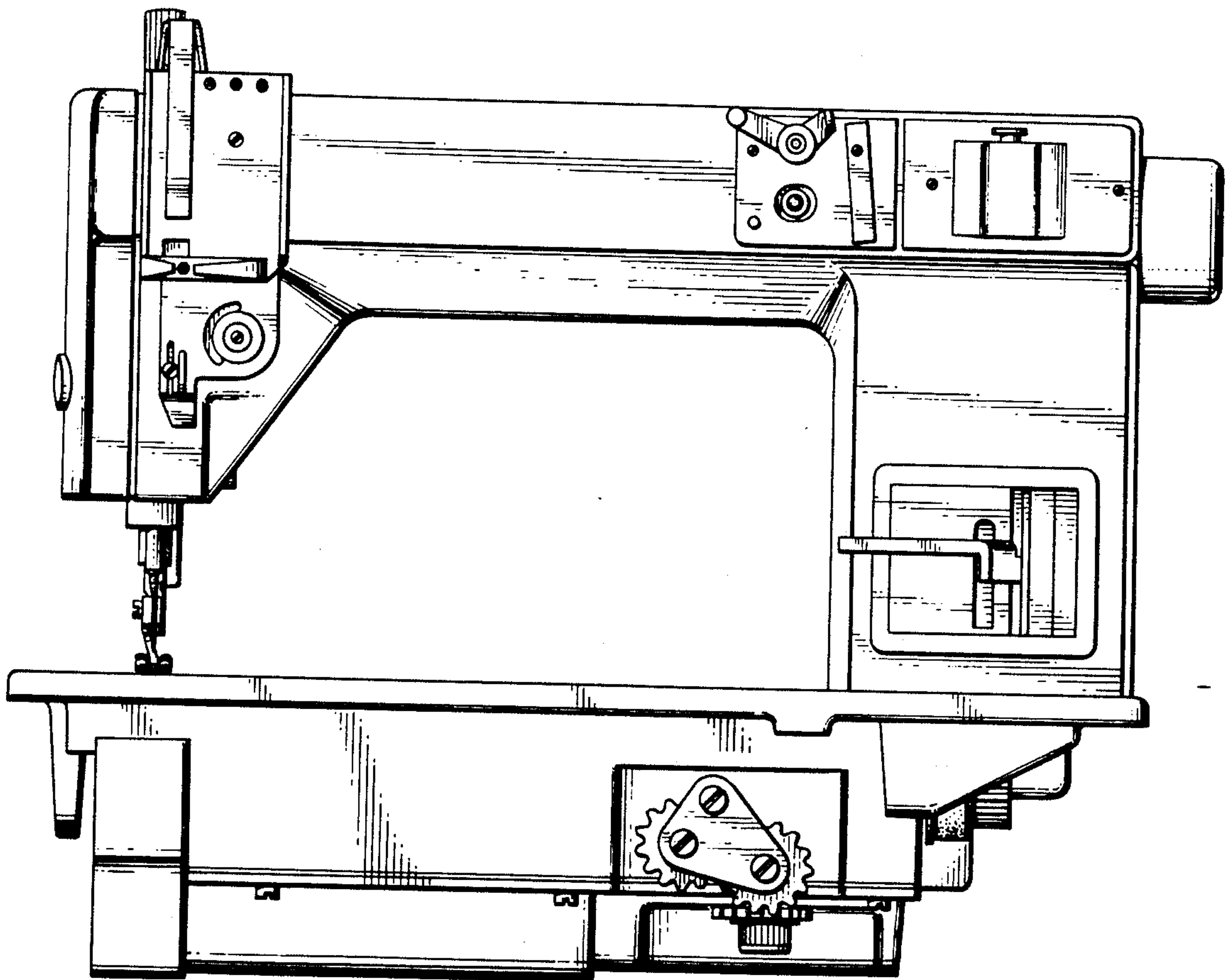


Fig. 1

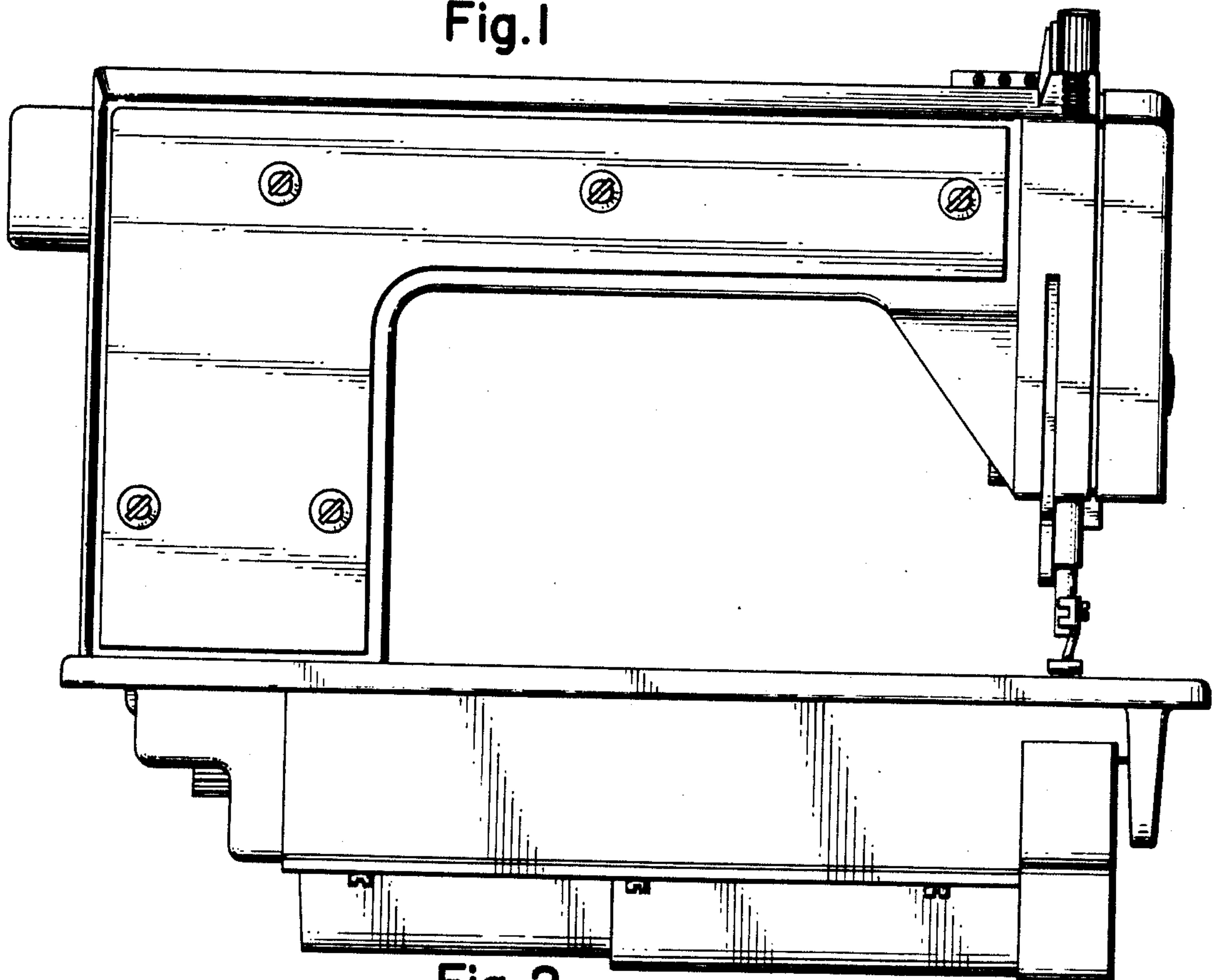


Fig. 2

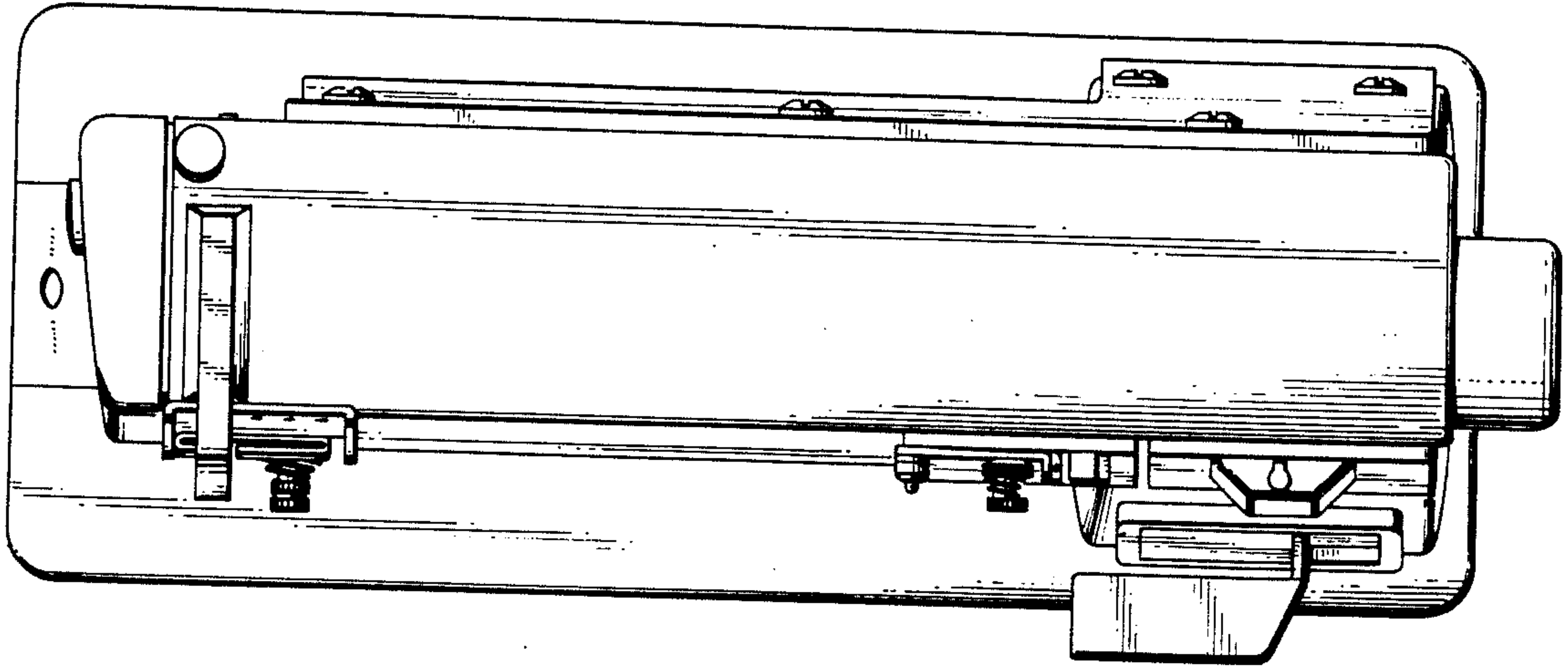


Fig. 3

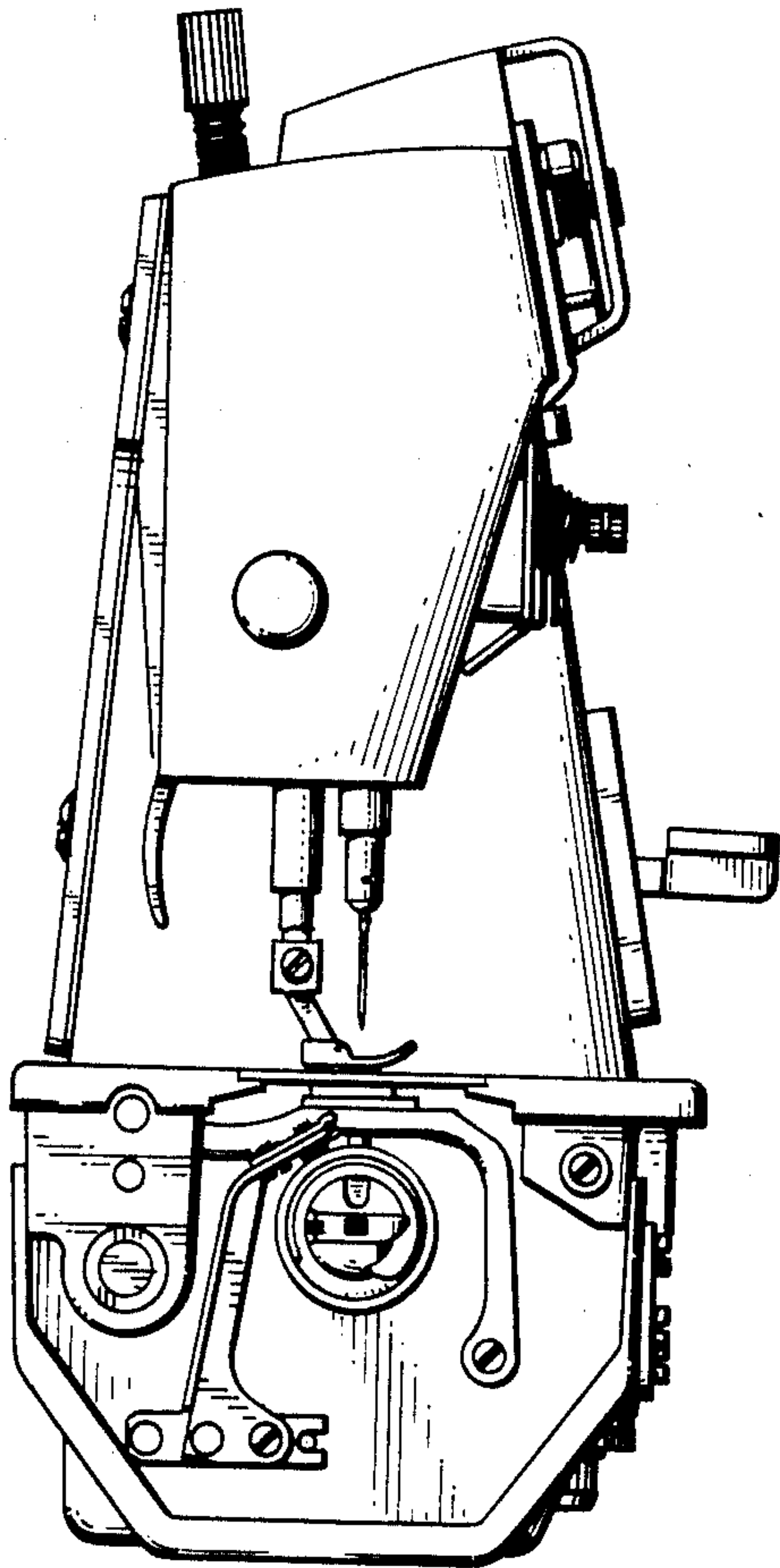


Fig. 4

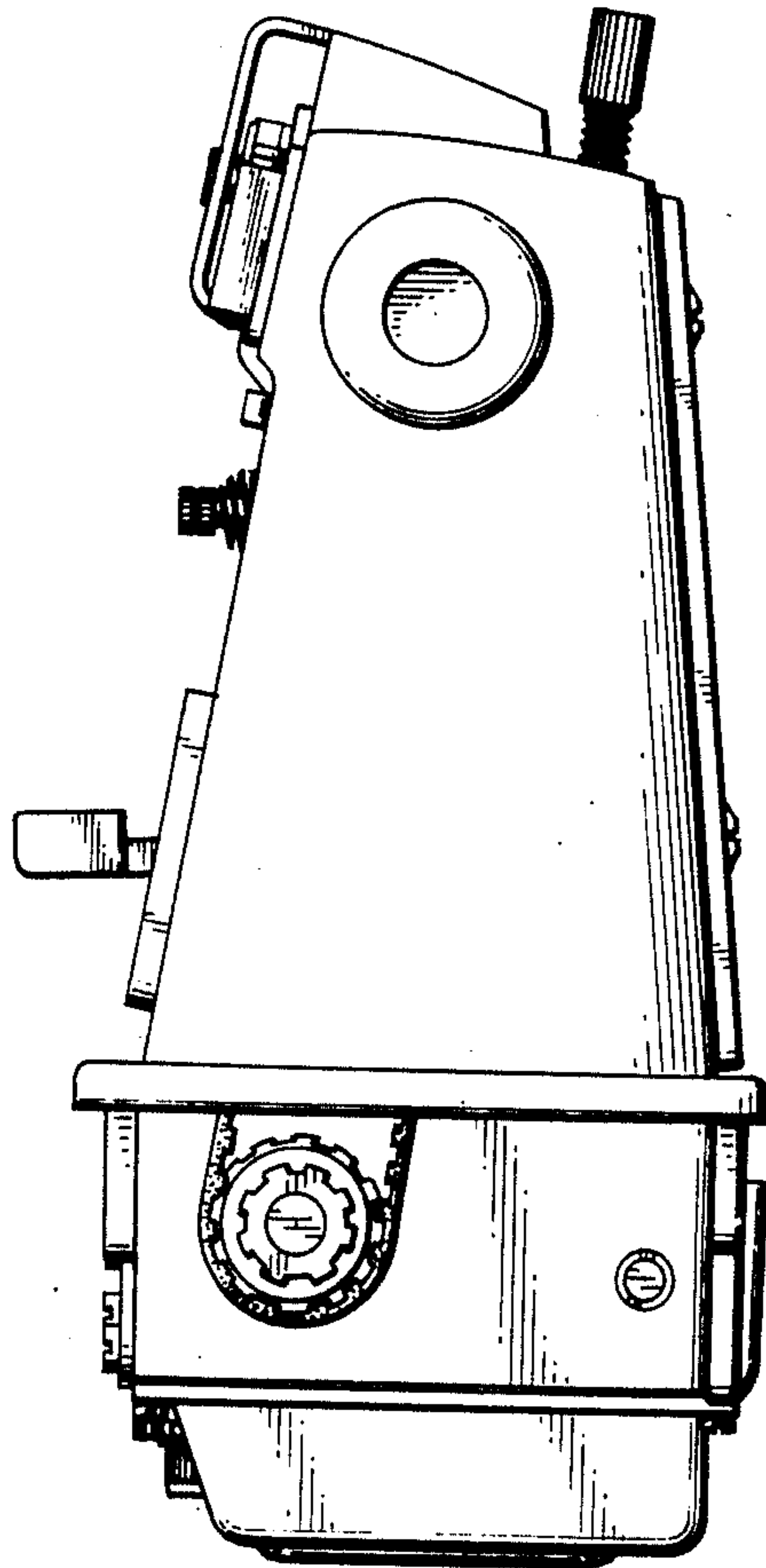


Fig. 5

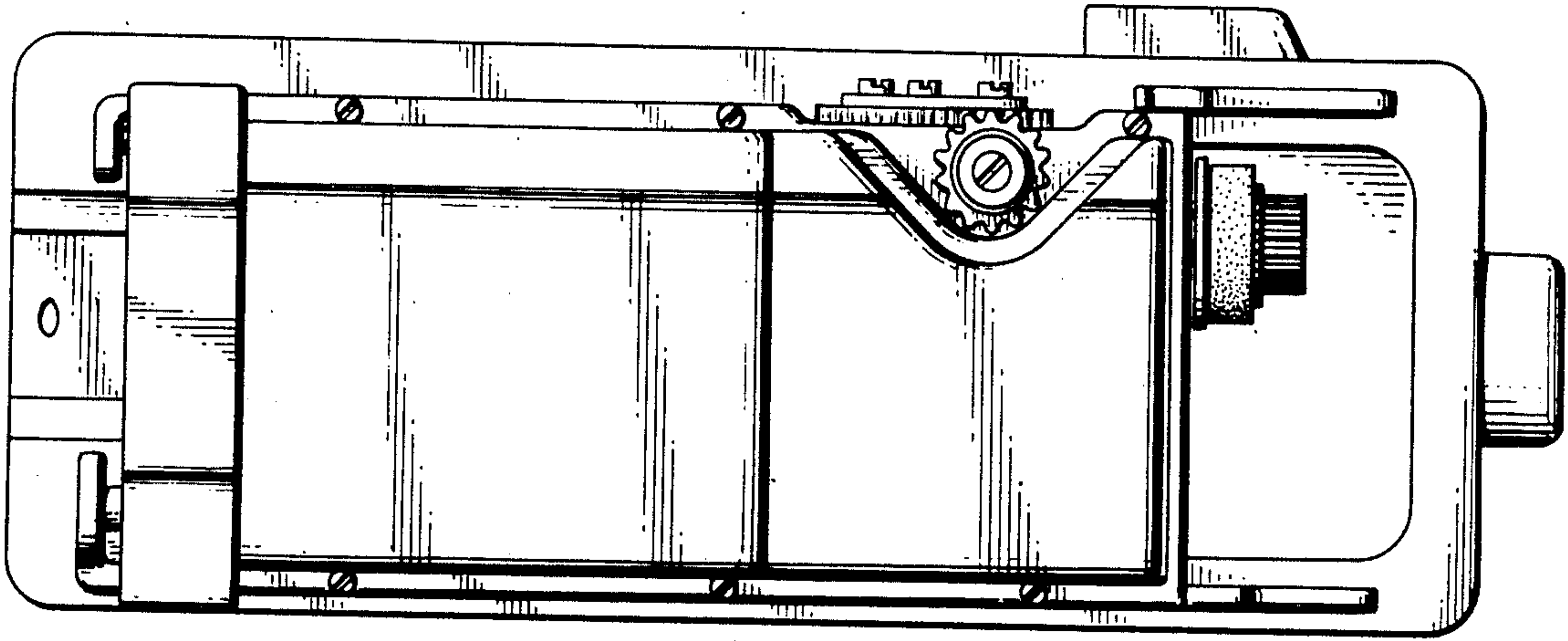


Fig.6