

[54] PORTABLE ELECTRICAL VACUUM CLEANER

[76] Inventor: Gentaro Kawamura, 647, Nagae, Hayama-machi, Miura-gun, Kanagawa-ken, 240-01, Japan

[\*\*] Term: 14 Years

[21] Appl. No.: 688,356

[22] Filed: May 20, 1976

[51] Int. Cl. .... D15-05

[52] U.S. Cl. .... D15/52

[58] Field of Search ..... D15/34, 52, 55; D7/164, D7/161; 15/320, 344

[56] References Cited

U.S. PATENT DOCUMENTS

2,668,315	2/1954	Crosby .....	15/344
2,736,606	2/1956	Kmiotek .....	15/320 X

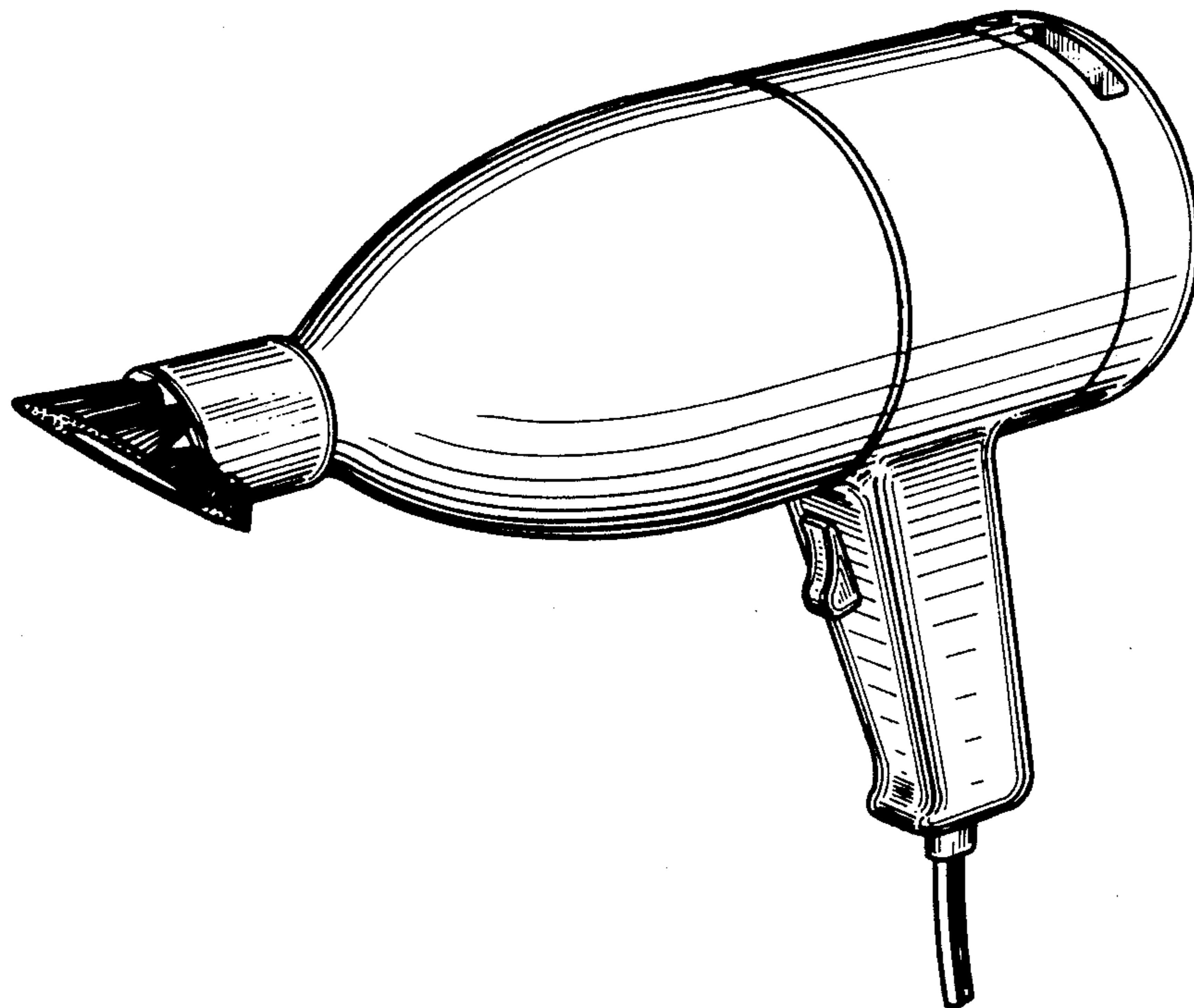
Primary Examiner—Wallace R. Burke  
Assistant Examiner—Catherine Kemper  
Attorney, Agent, or Firm—Robert Osann

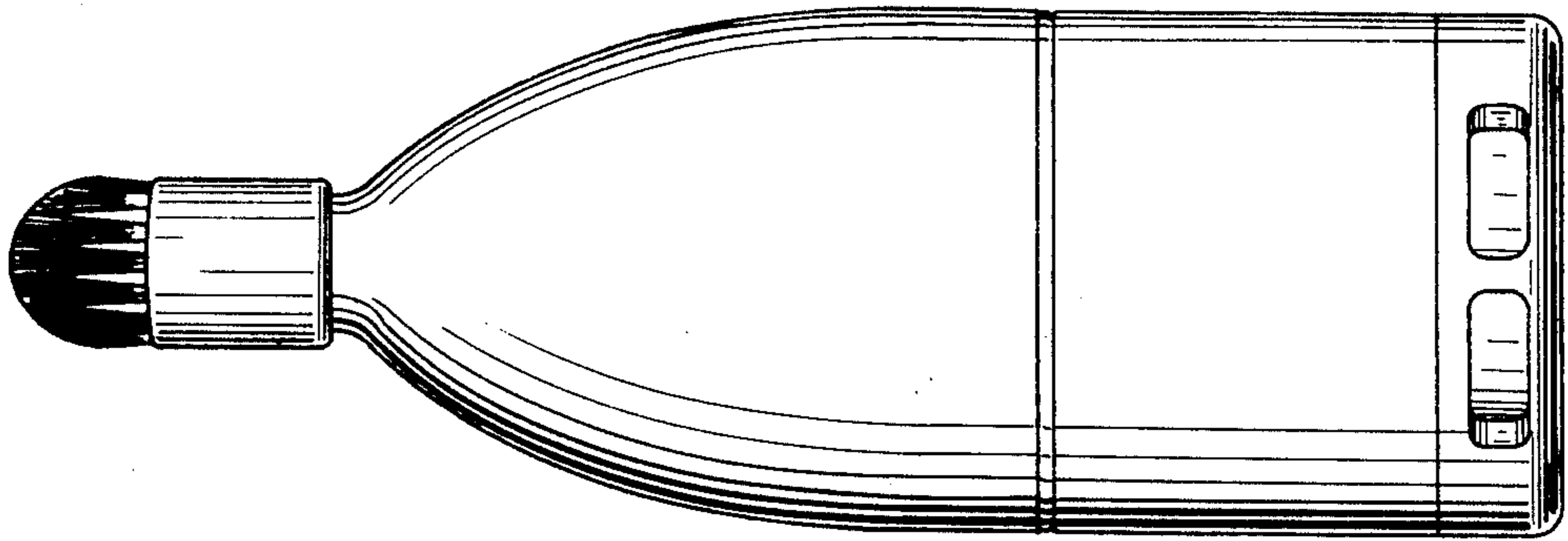
[57] CLAIM

The ornamental design for a portable electrical vacuum cleaner, as shown and described.

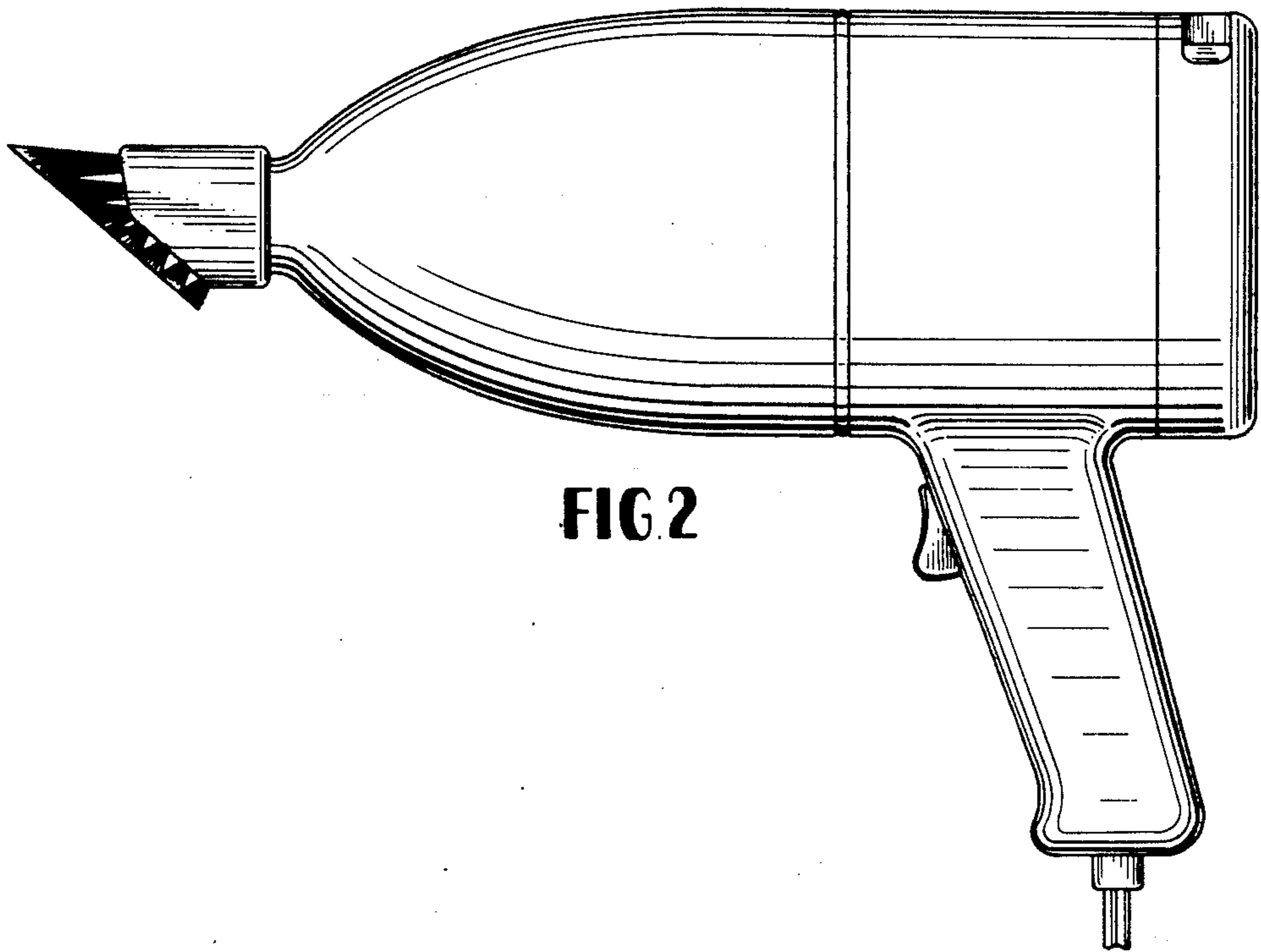
DESCRIPTION

FIG. 1 is a top plan view of a portable electrical vacuum cleaner showing my new design;  
FIG. 2 is a right side elevational view thereof;  
FIG. 3 is a bottom plan view thereof;  
FIG. 4 is a left side elevational view thereof;  
FIG. 5 is a left end elevational view thereof;  
FIG. 6 is a right end elevational view thereof;  
FIG. 7 is a rear perspective view thereof;  
FIG. 8 is a front perspective view thereof.  
The electrical cord is shown fragmentarily in FIGS. 2, 4, 5, 6, 7 and 8 for ease of illustration.

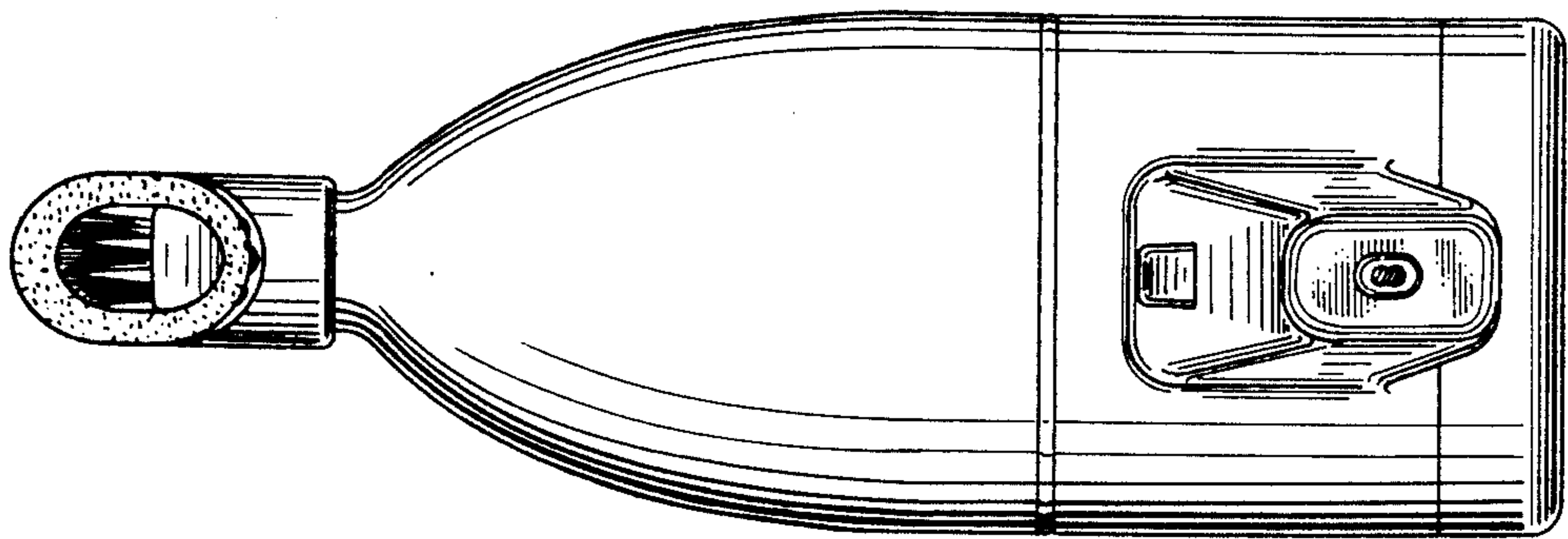




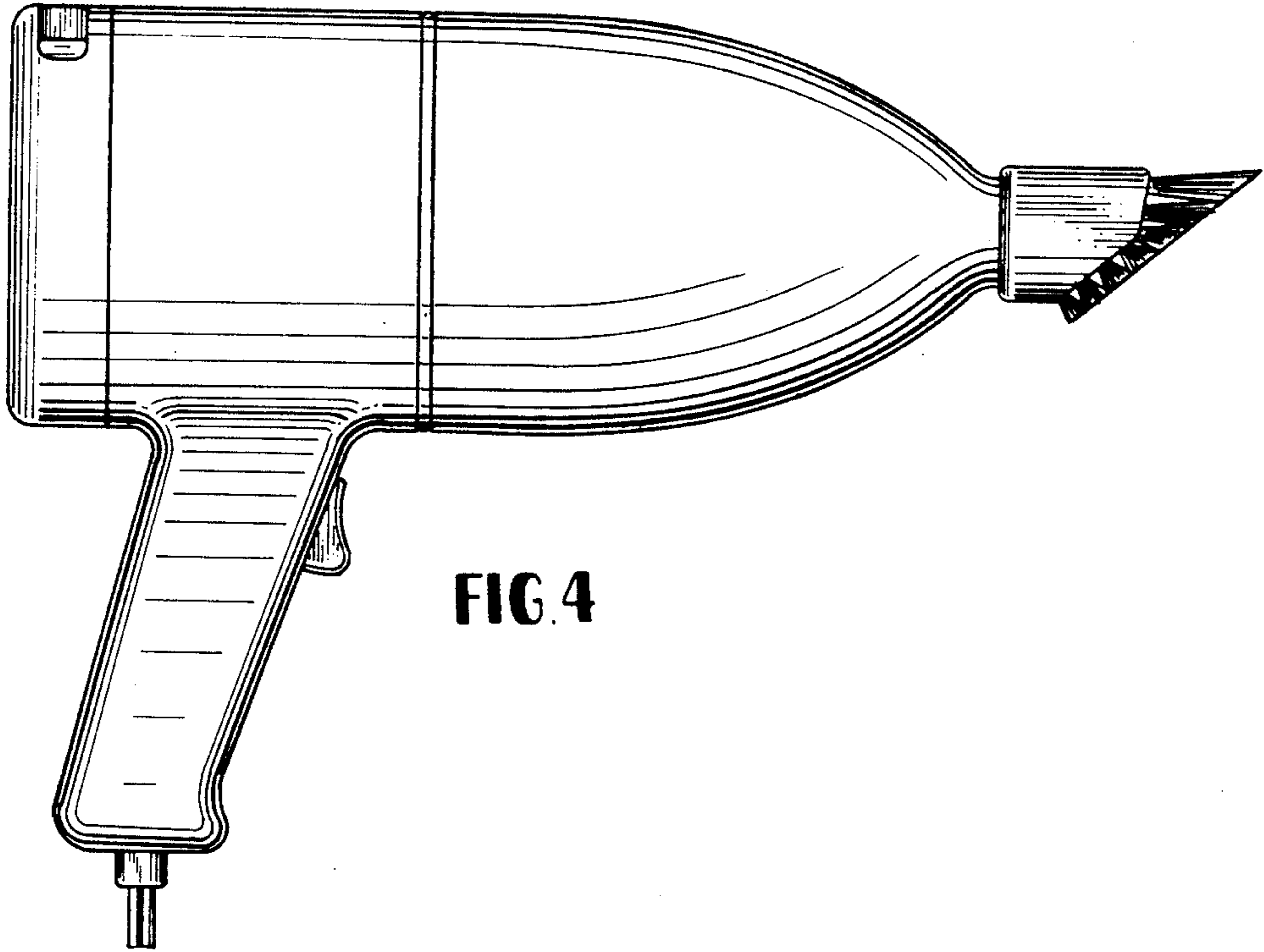
**FIG. 1**



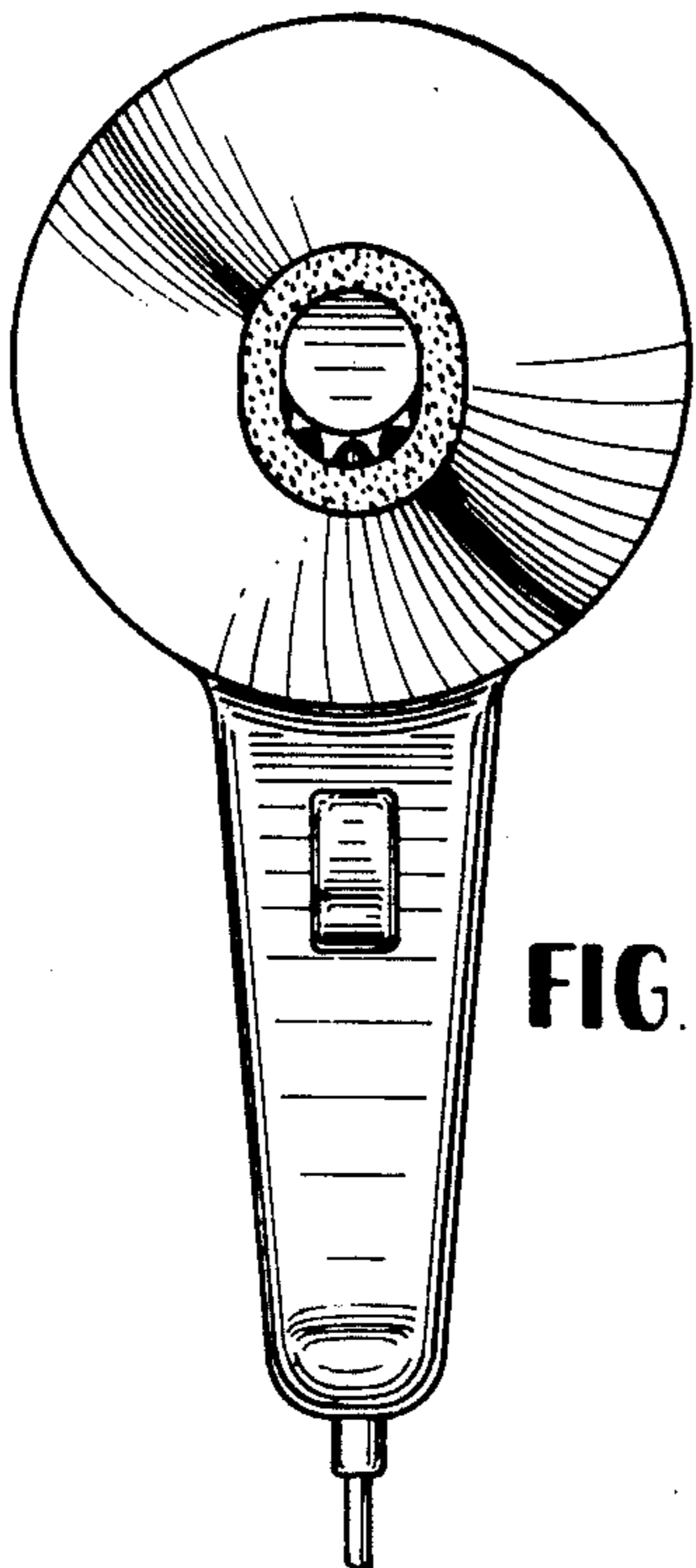
**FIG. 2**



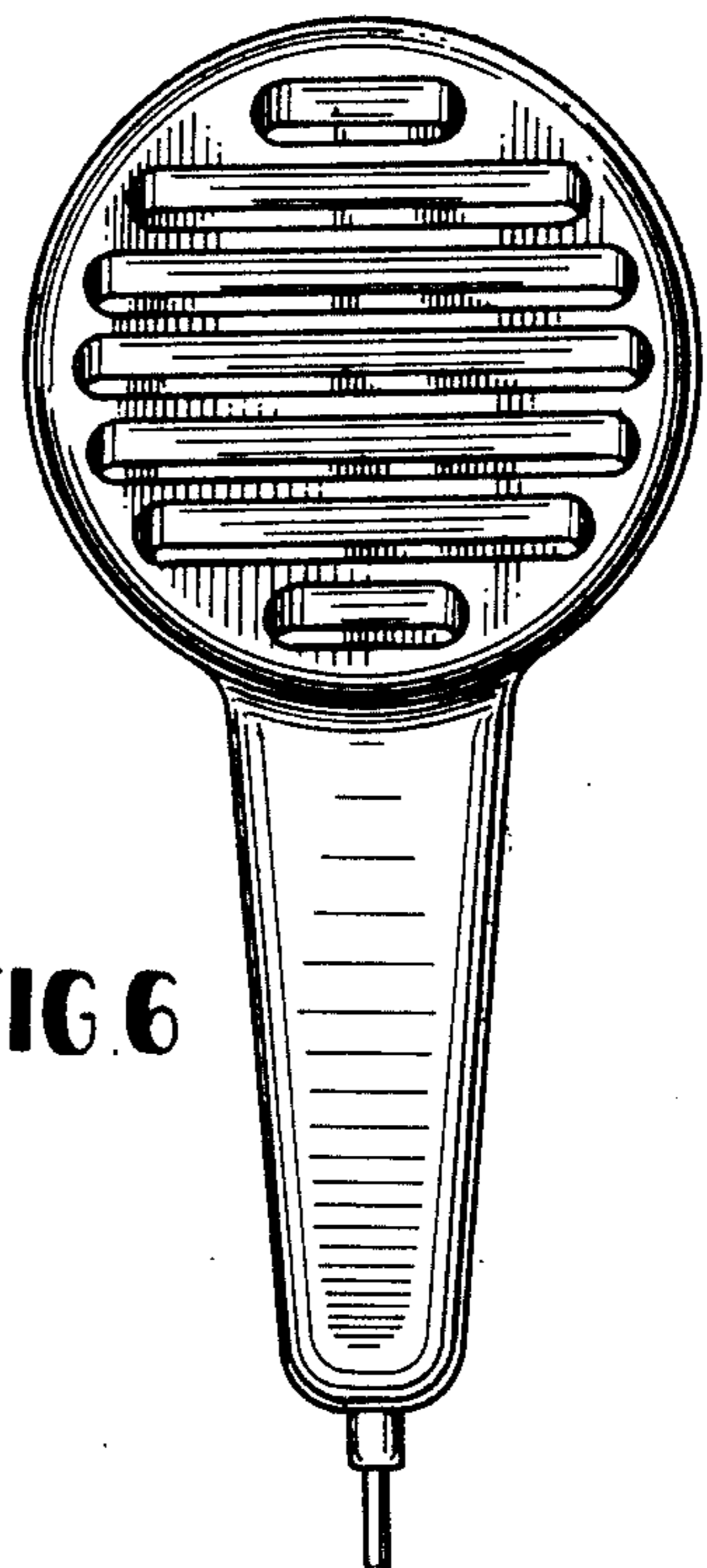
**FIG. 3**



**FIG. 4**



**FIG. 5**



**FIG. 6**

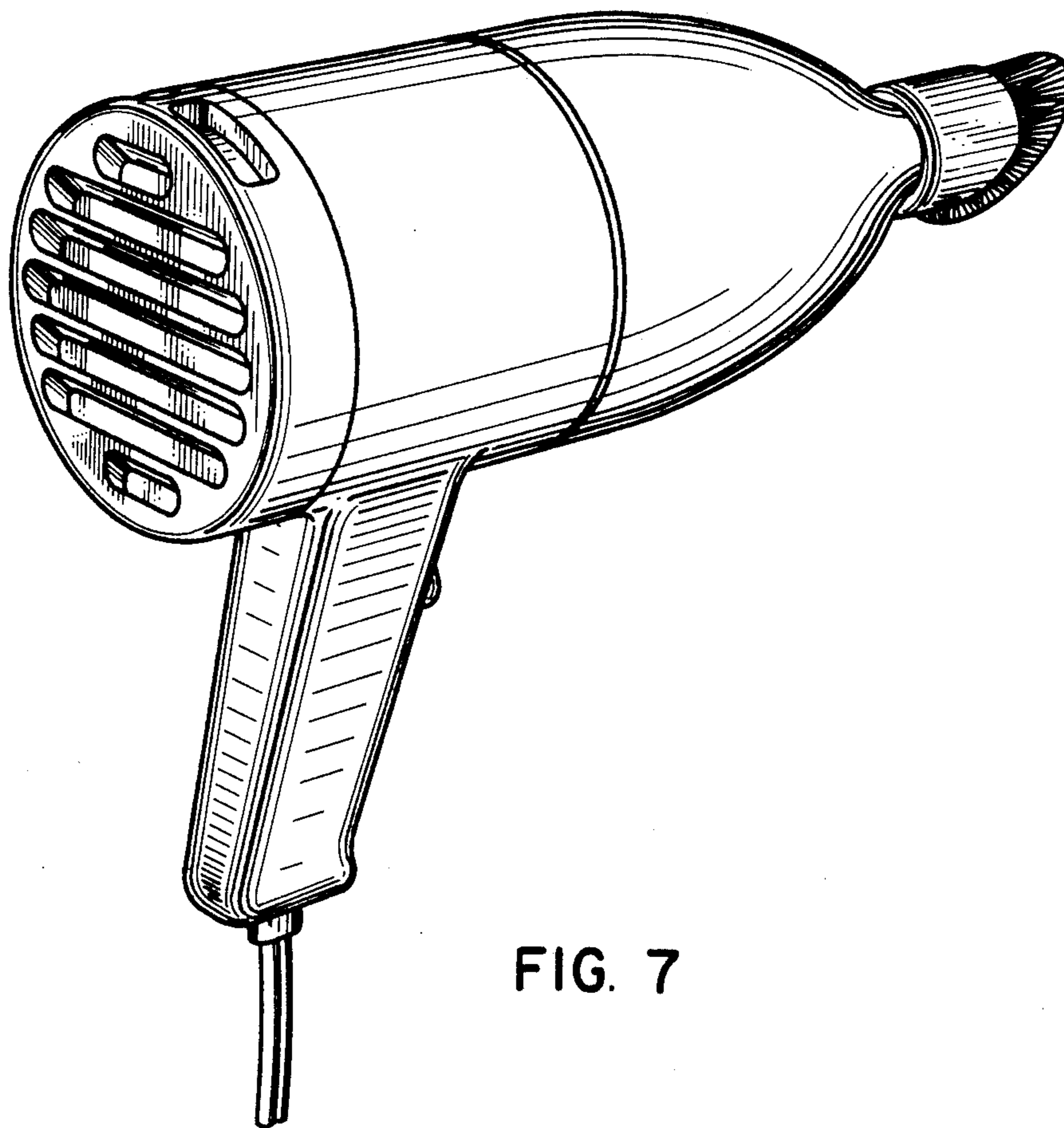


FIG. 7

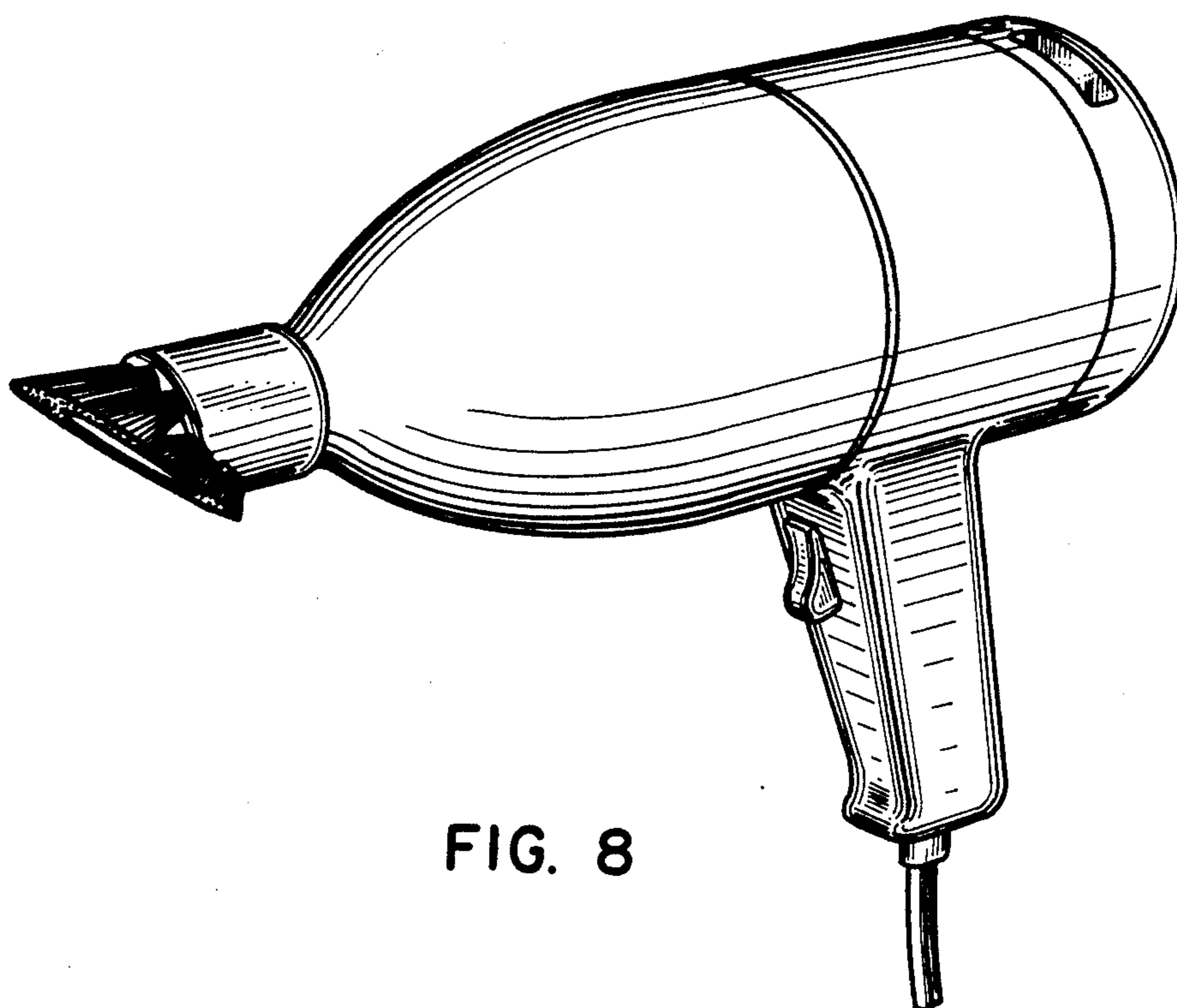


FIG. 8