

[54] VEHICLE CAB

[75] Inventor: Jaime Segales, Vallirana (Barcelona), Spain

[73] Assignee: Massey-Ferguson Inc., Detroit, Mich.

[\*\*] Term: 14 Years

[21] Appl. No.: 778,639

[22] Filed: Mar. 17, 1977

[51] Int. Cl. .... D12-09

[52] U.S. Cl. .... D15/30

[58] Field of Search ..... D15/30, 23, 24; D12/61; 180/89.1, 89.12, 89.13, 89.16, 89.18, 89.19; 296/28 C

[56]

References Cited

U.S. PATENT DOCUMENTS

D. 221,845	9/1971	Lorenz et al. ....	D15/30
D. 225,321	12/1972	Johnson et al. ....	D15/30
D. 229,687	12/1973	Babbitt, Jr. et al. ....	D15/30

Primary Examiner—Wallace R. Burke  
Assistant Examiner—James M. Gandy  
Attorney, Agent, or Firm—Thomas P. Lewandowski

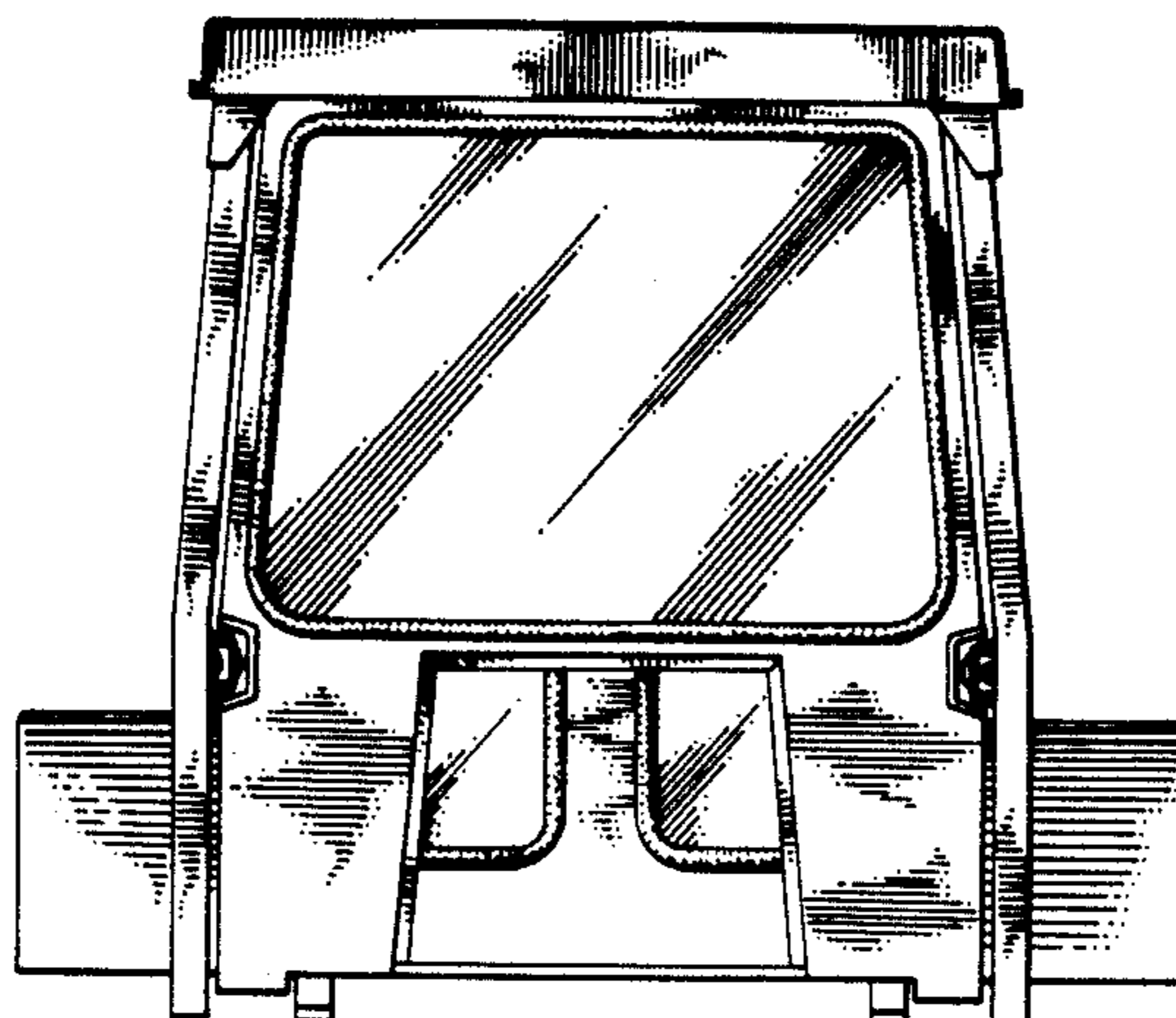
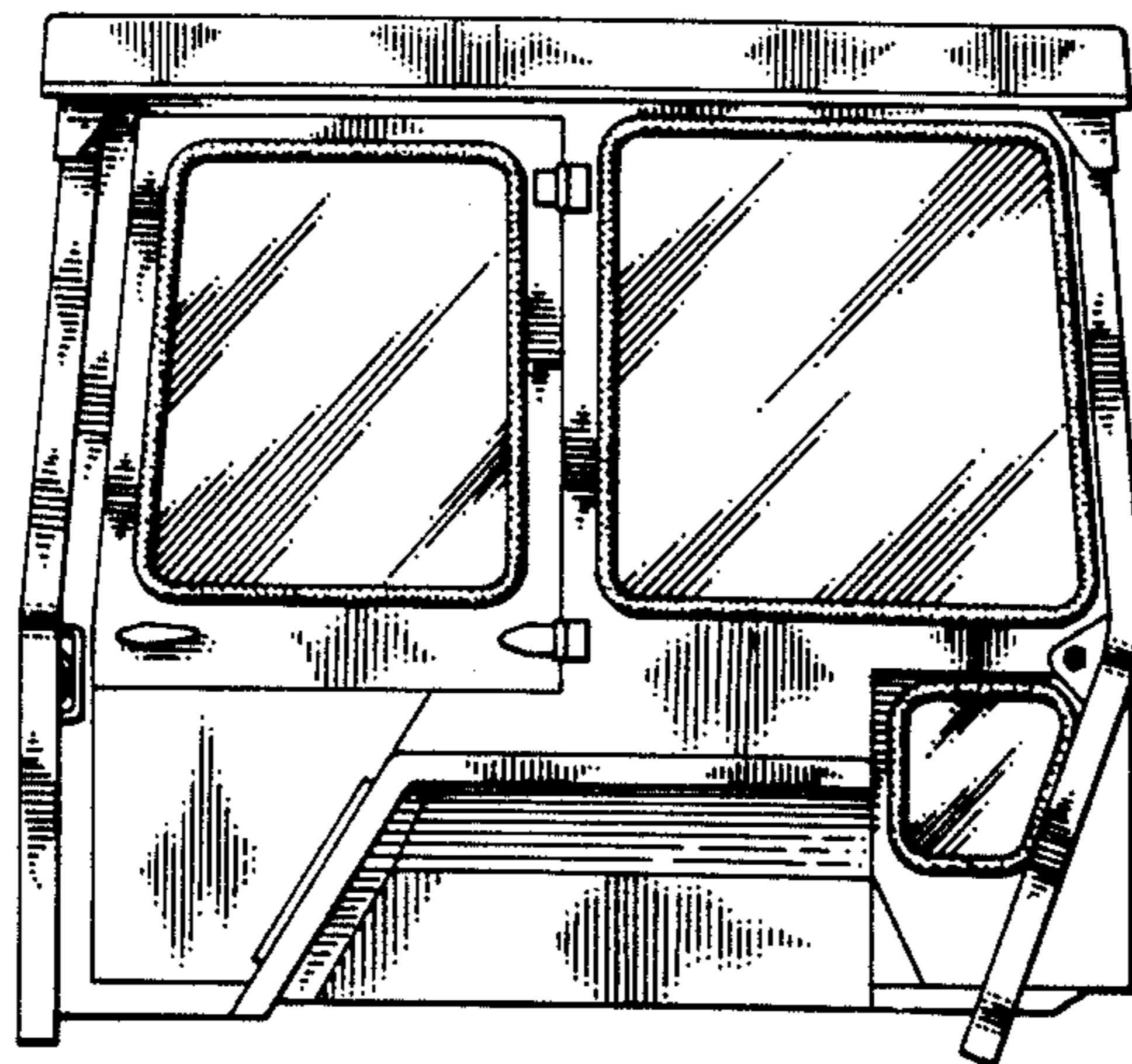
[57]

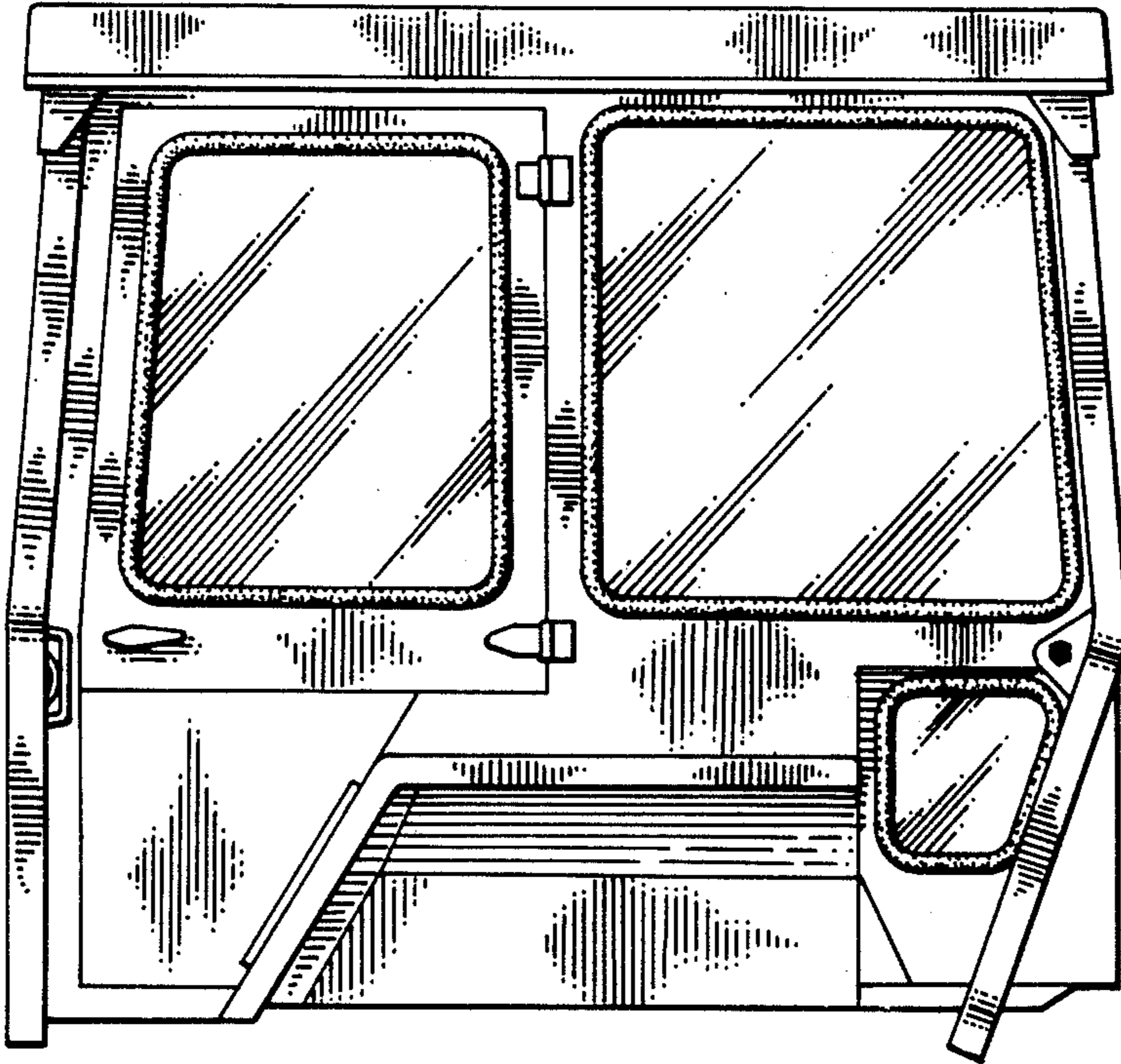
CLAIM

The ornamental design for a vehicle cab, substantially as shown.

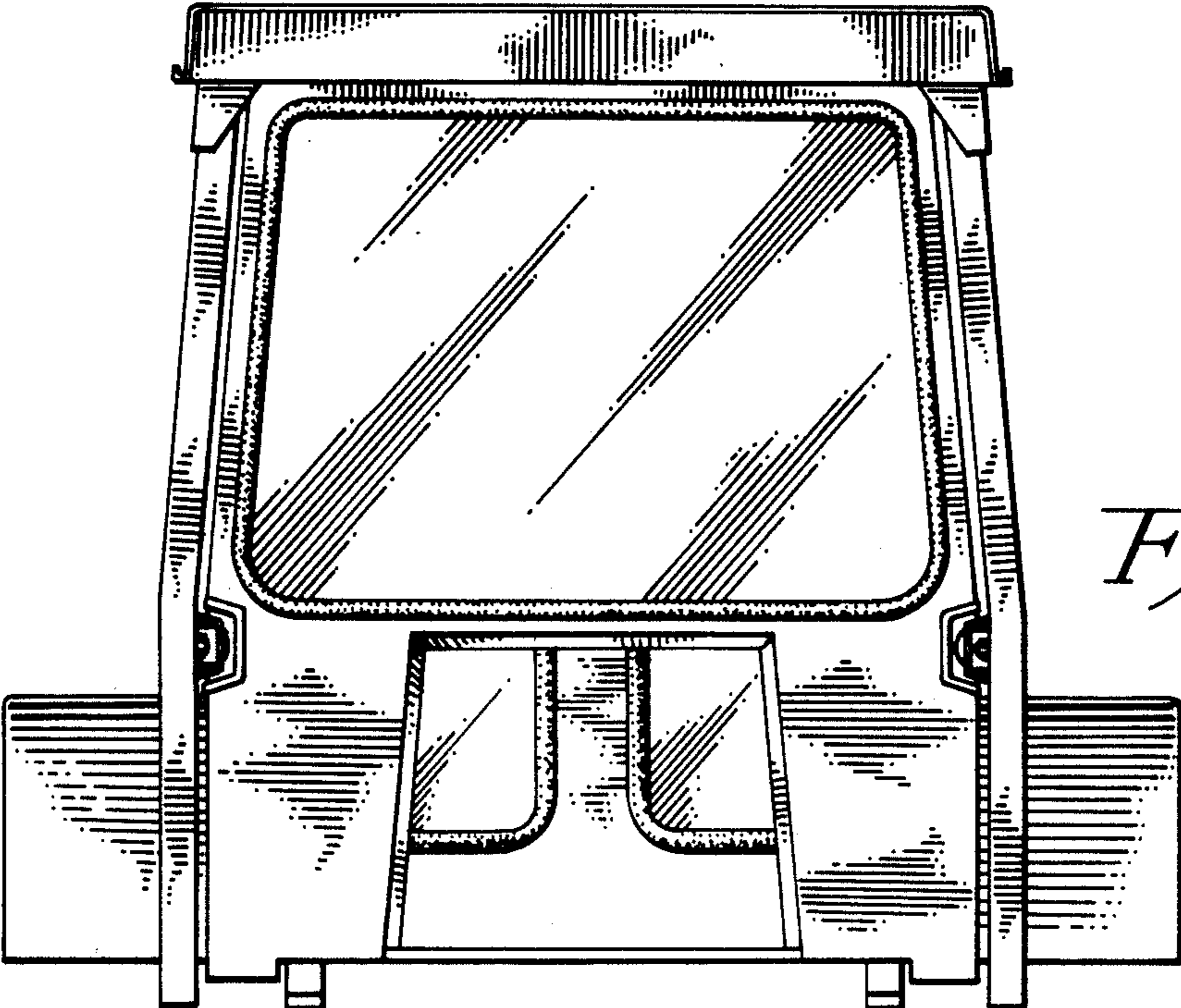
DESCRIPTION

FIG. 1 is a side elevational view of the vehicle cab showing my new design;  
FIG. 2 is a front elevational view thereof;  
FIG. 3 is a side elevational view thereof opposite to that shown in FIG. 1;  
FIG. 4 is a rear elevational view thereof; and  
FIG. 5 is a top plan view thereof.

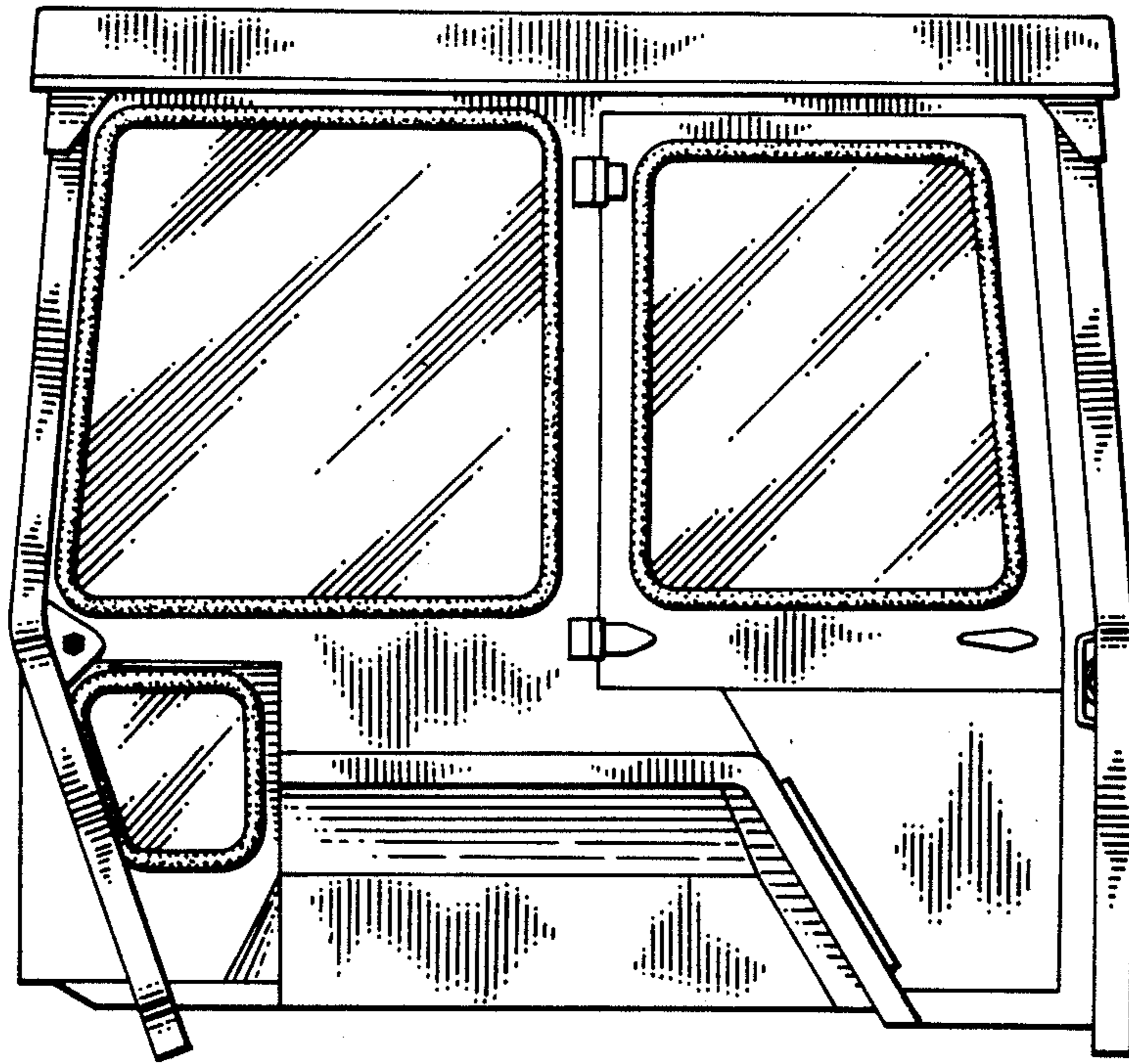




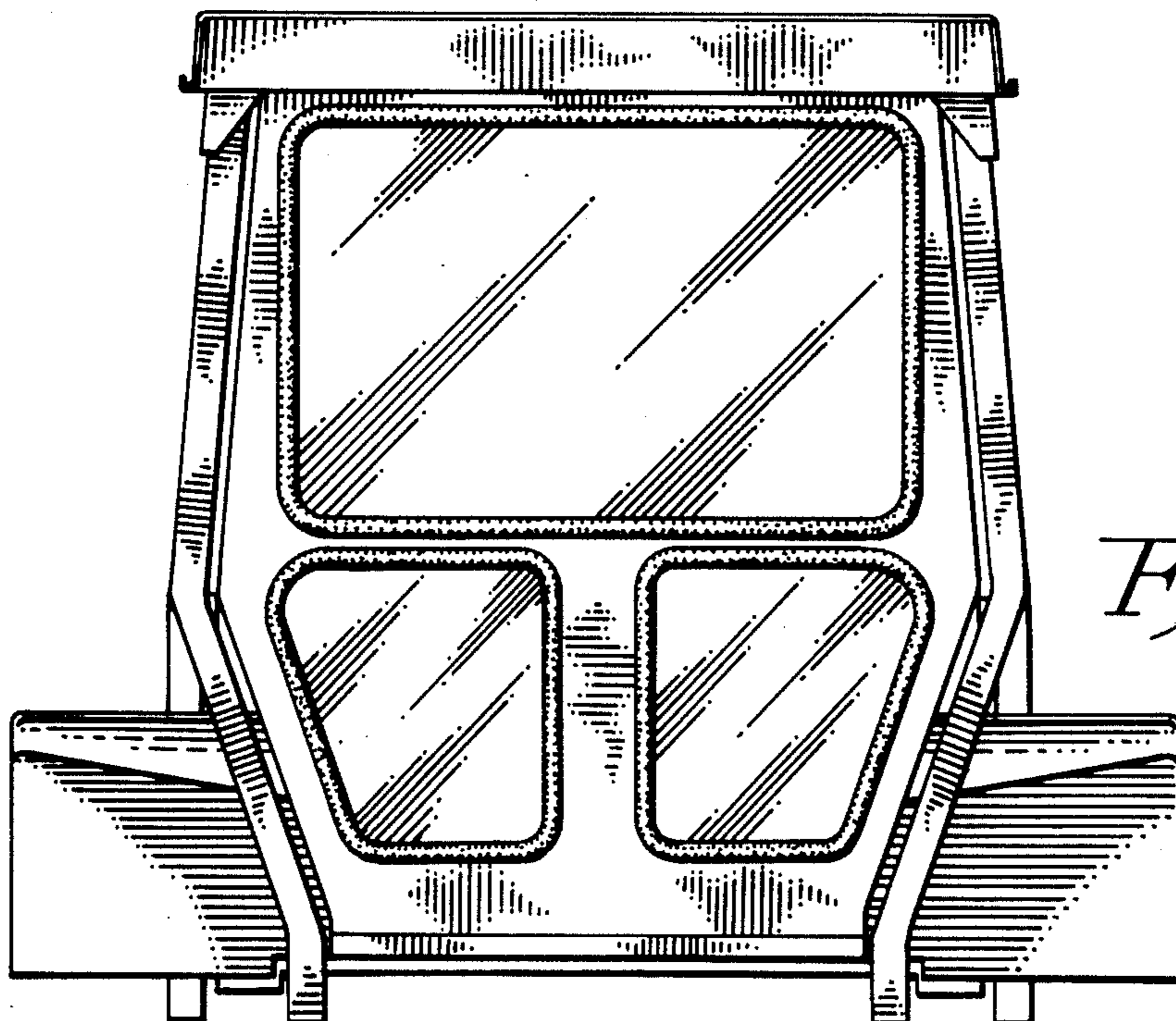
*Fig. 1*



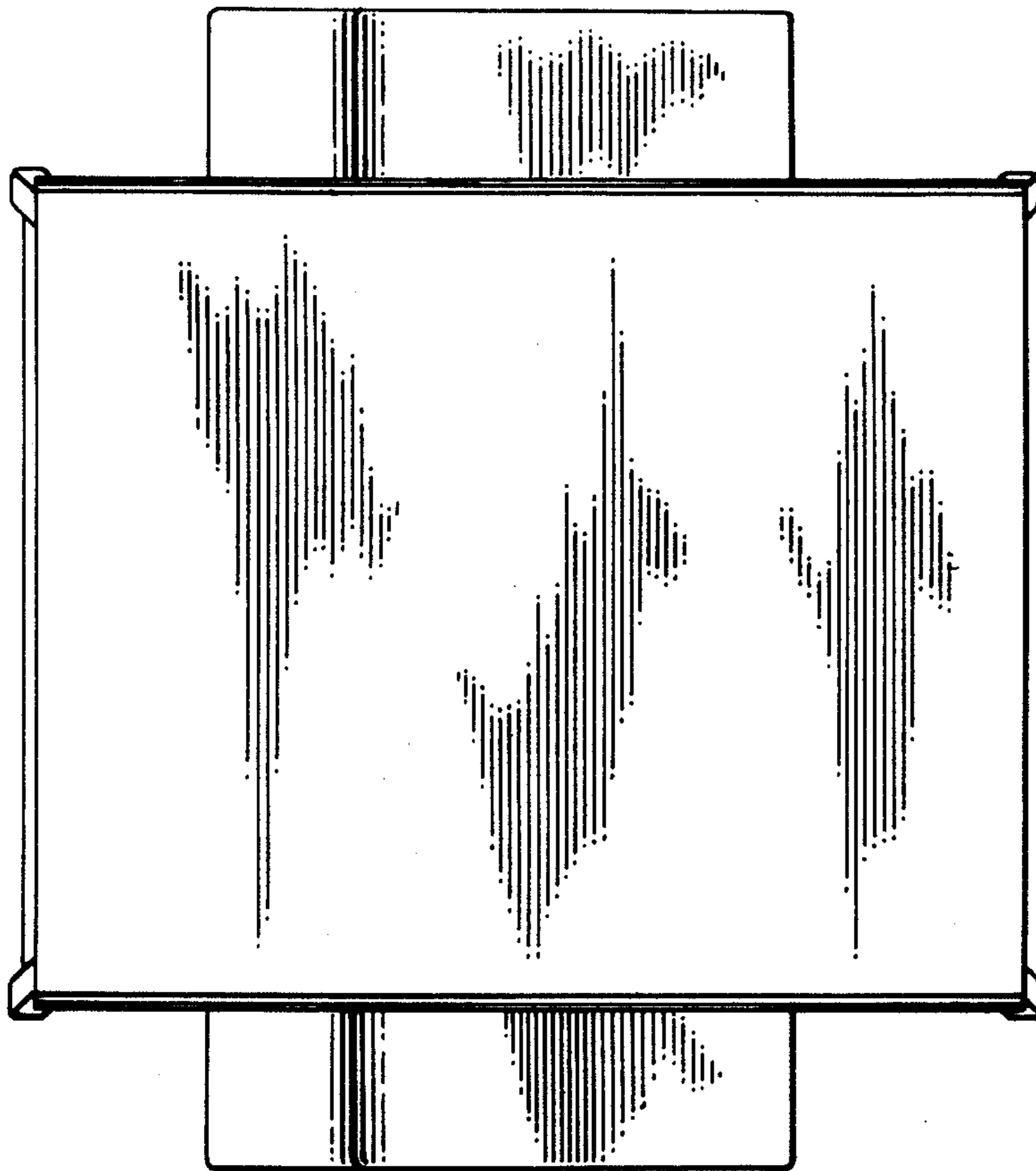
*Fig. 2*



*Fig. 3*



*Fig. 4*



*Fig. 5*