

[54] COMPRESSOR

[76] Inventor: Tetsuo Nobata, 10 Ibaragi-chou, Mizuho-ku, Nagoya City, Aichi Prefecture, Japan

[**] Term: 14 Years

[21] Appl. No.: 743,355

[22] Filed: Nov. 19, 1976

[51] Int. Cl. D15-02

[52] U.S. Cl. D15/9

[58] Field of Search D23/127-167; D15/9; 62/323; 417/231, 533, 539, 529

[56] References Cited

U.S. PATENT DOCUMENTS

D. 116,241 8/1939 Radtke D15/9

D. 245,779 9/1977 Nobata D15/9
3,160,229 12/1964 Terasawa 417/539 X
3,666,382 5/1972 Rasmussen 417/539 X

Primary Examiner—James R. Largen
Attorney, Agent, or Firm—Eric H. Waters

[57] CLAIM

The ornamental design for a compressor, as shown.

DESCRIPTION

FIG. 1 is a front view of a compressor showing my new design;
FIG. 2 is a left side view thereof;
FIG. 3 is a bottom view thereof;
FIG. 4 is a right side view thereof;
FIG. 5 is a top plan view thereof;
FIG. 6 is a rear view thereof; and
FIG. 7 is a perspective view thereof.

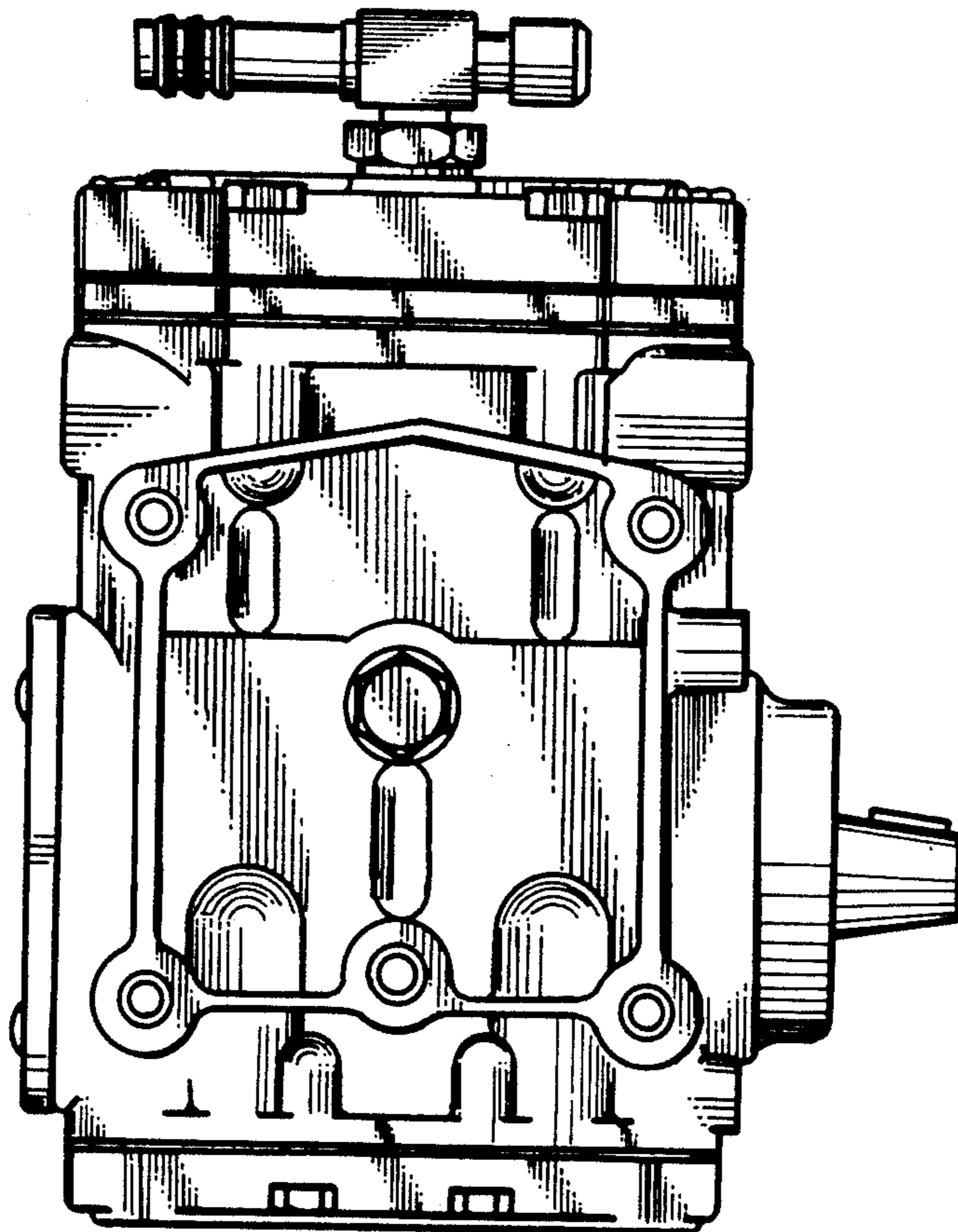


FIG. 1

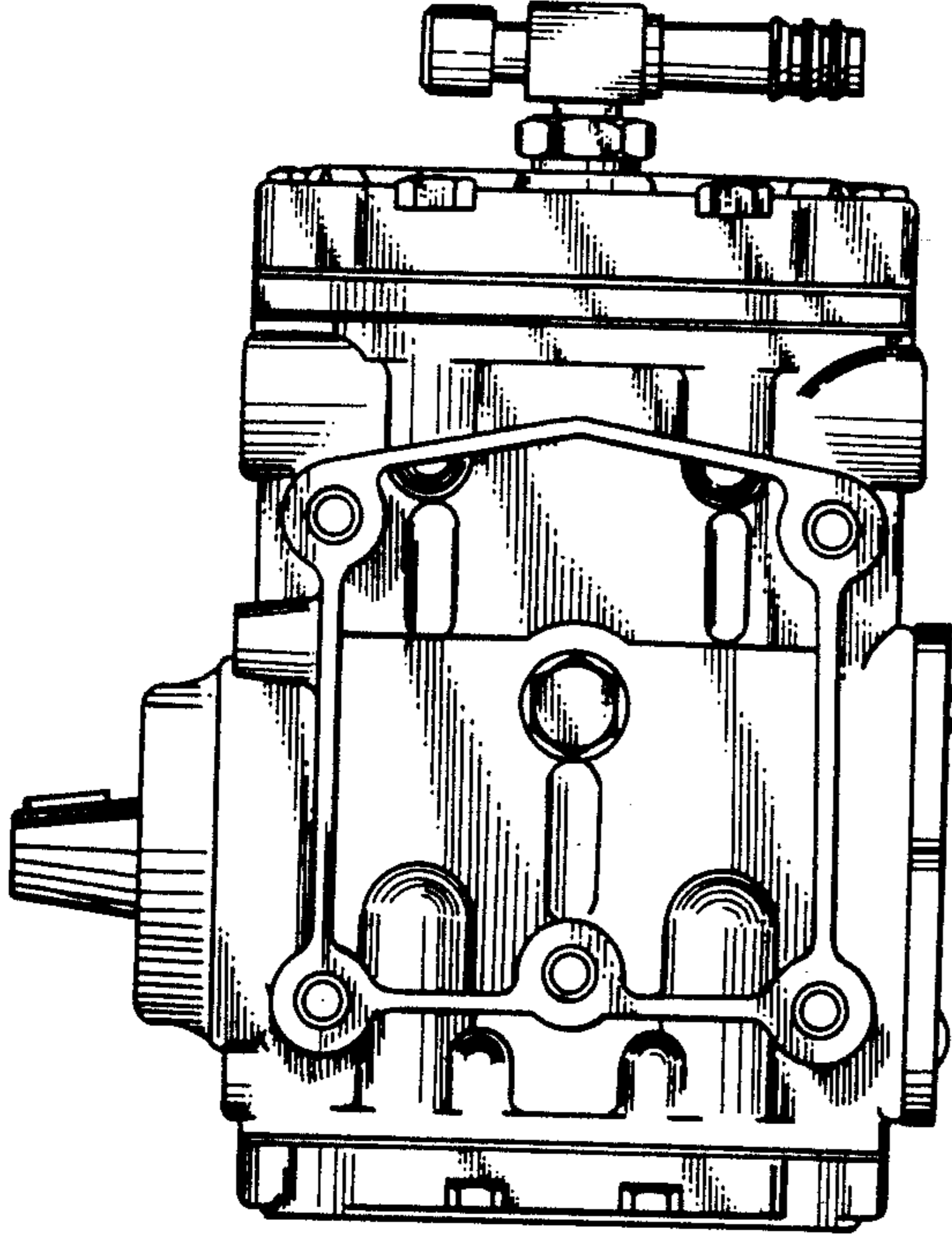


FIG. 2

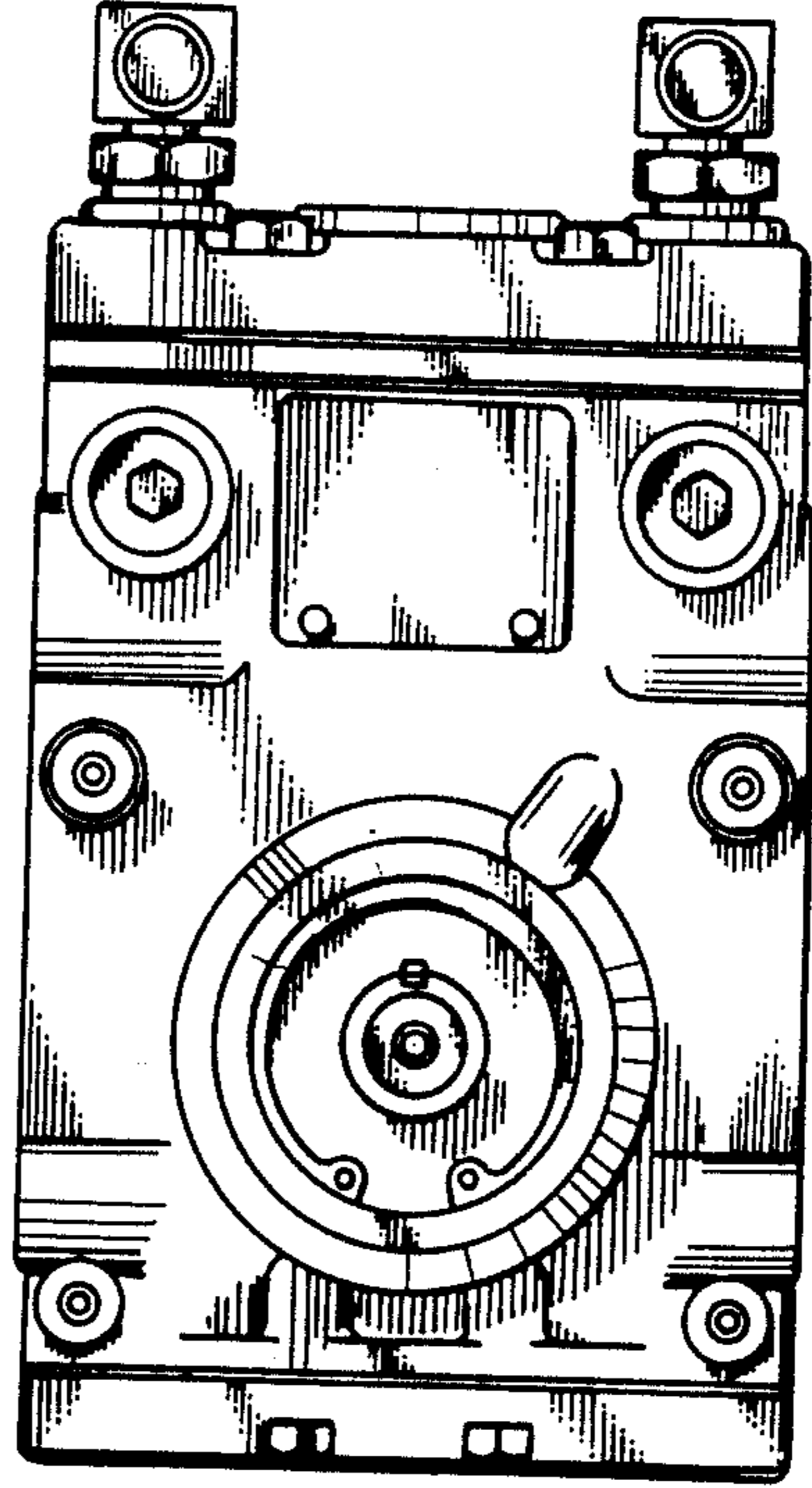


FIG. 3

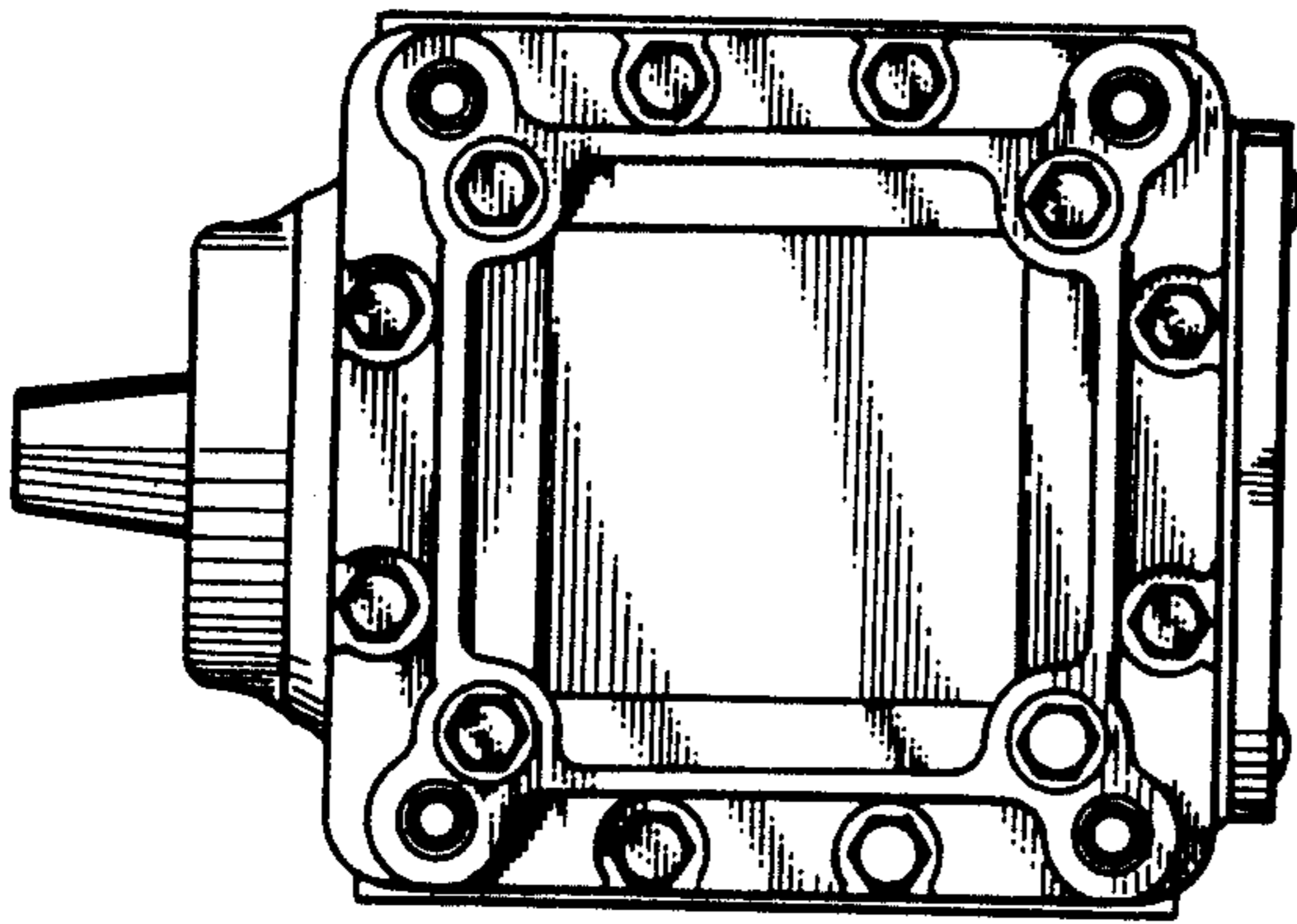


FIG. 4

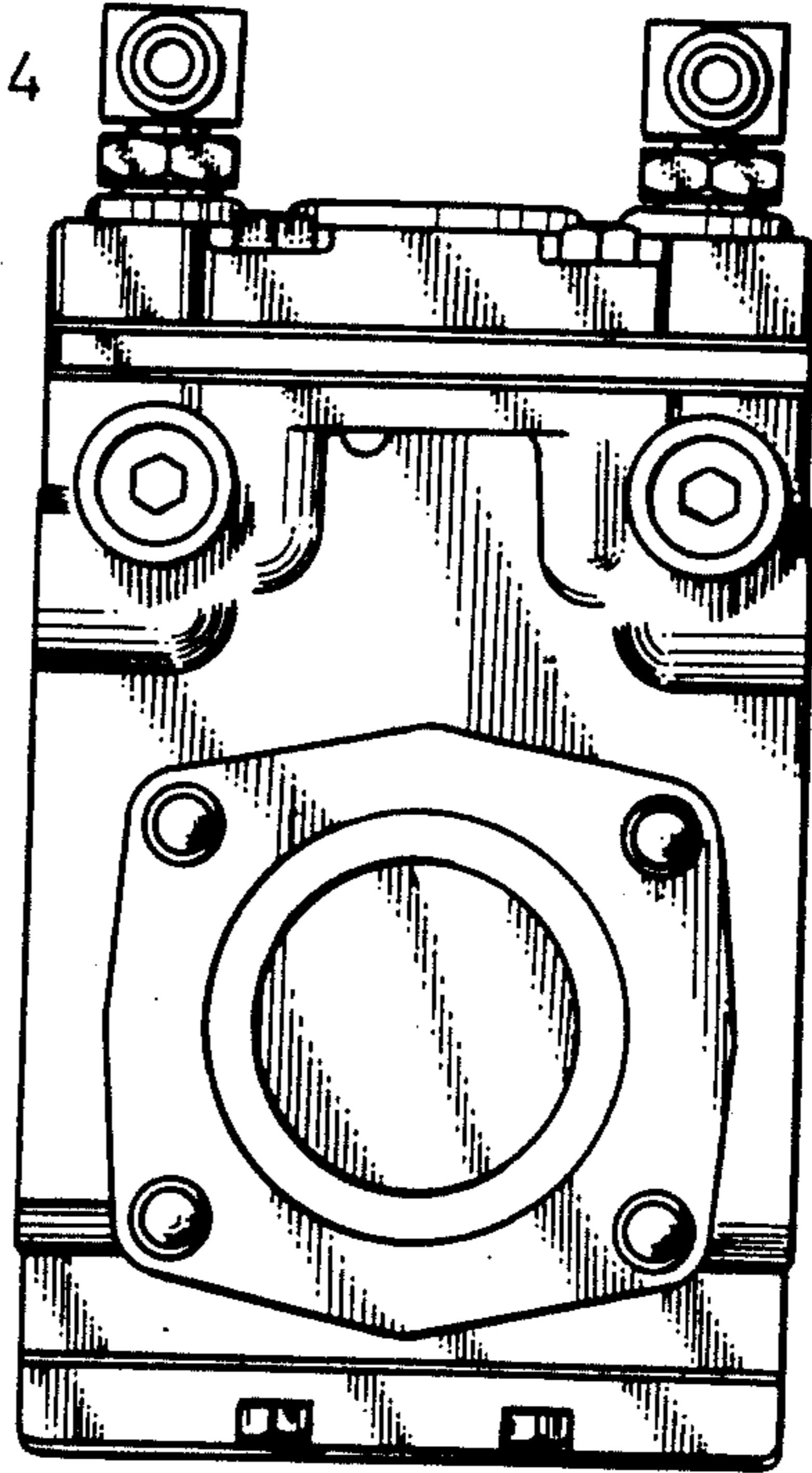


FIG. 5

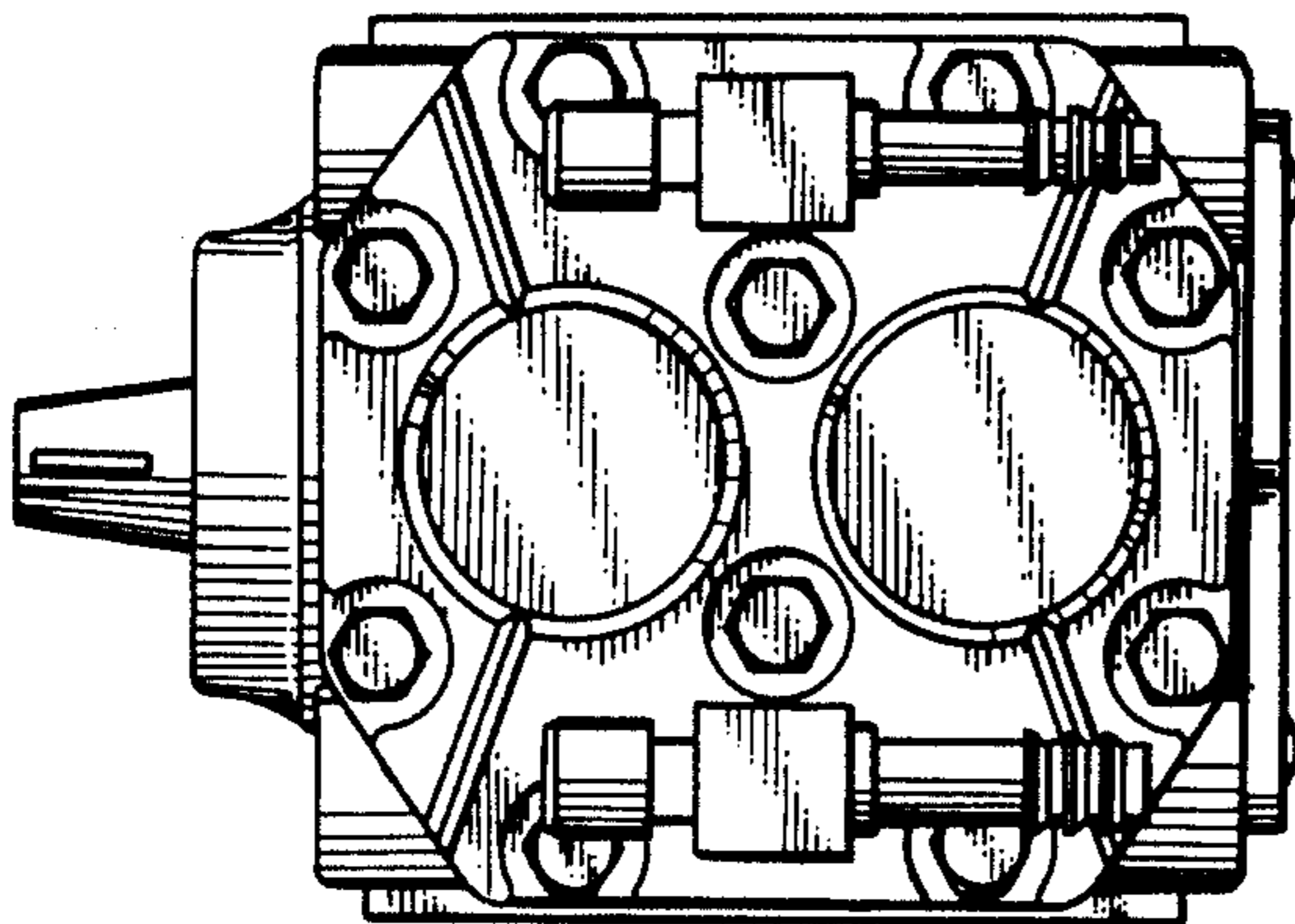


FIG. 6

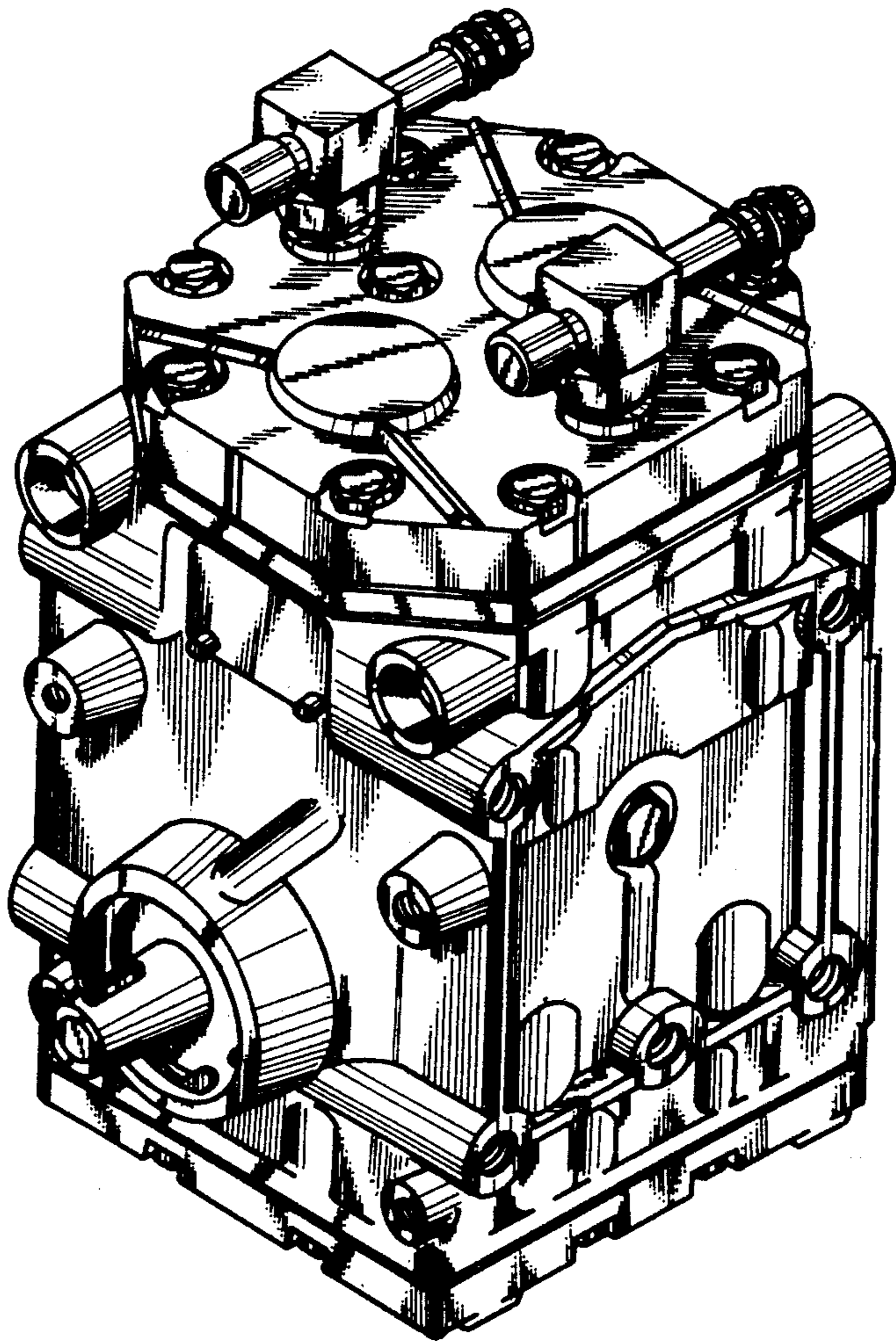


FIG. 7

