

[54] **OMNIDIRECTIONAL CIRCULARLY POLARIZED TRANSMITTING ANTENNA**

3,474,452 10/1969 Bogner 343/726
 3,665,479 5/1972 Silliman 343/726
 3,789,416 1/1974 Kuecken 343/797

[76] Inventor: **Thomas B. Silliman**, 108 Market St., Newburgh, Ind. 47630

Primary Examiner—Bernard Ansher
Attorney, Agent, or Firm—Jerome Bauer

[**] Term: **14 Years**

[57] **CLAIM**

[21] Appl. No.: **779,618**

The ornamental design for an omnidirectional circularly polarized transmitting antenna, as shown.

[22] Filed: **Mar. 21, 1977**

DESCRIPTION

[51] Int. Cl. **D14-03**

[52] U.S. Cl. **D14/86; 343/796**

[58] Field of Search 343/797, 908, 796, 726; **D14/86**

FIG. 1 is a top plan view showing my new design for an omnidirectional circularly polarized transmitting antenna;

FIG. 2 is a bottom plan view thereof;

FIG. 3 is a side elevational view thereof;

FIG. 4 is a front elevational view thereof;

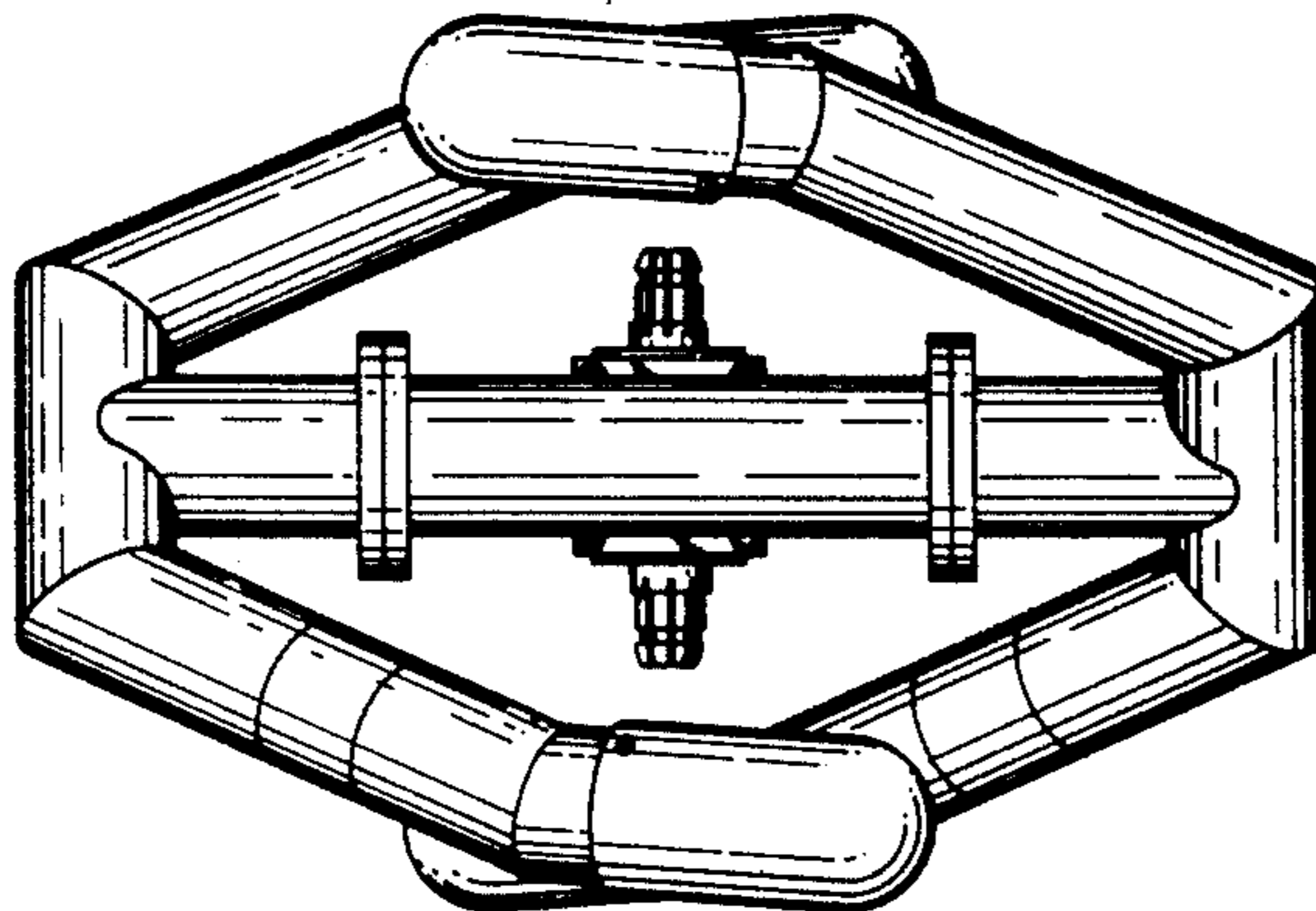
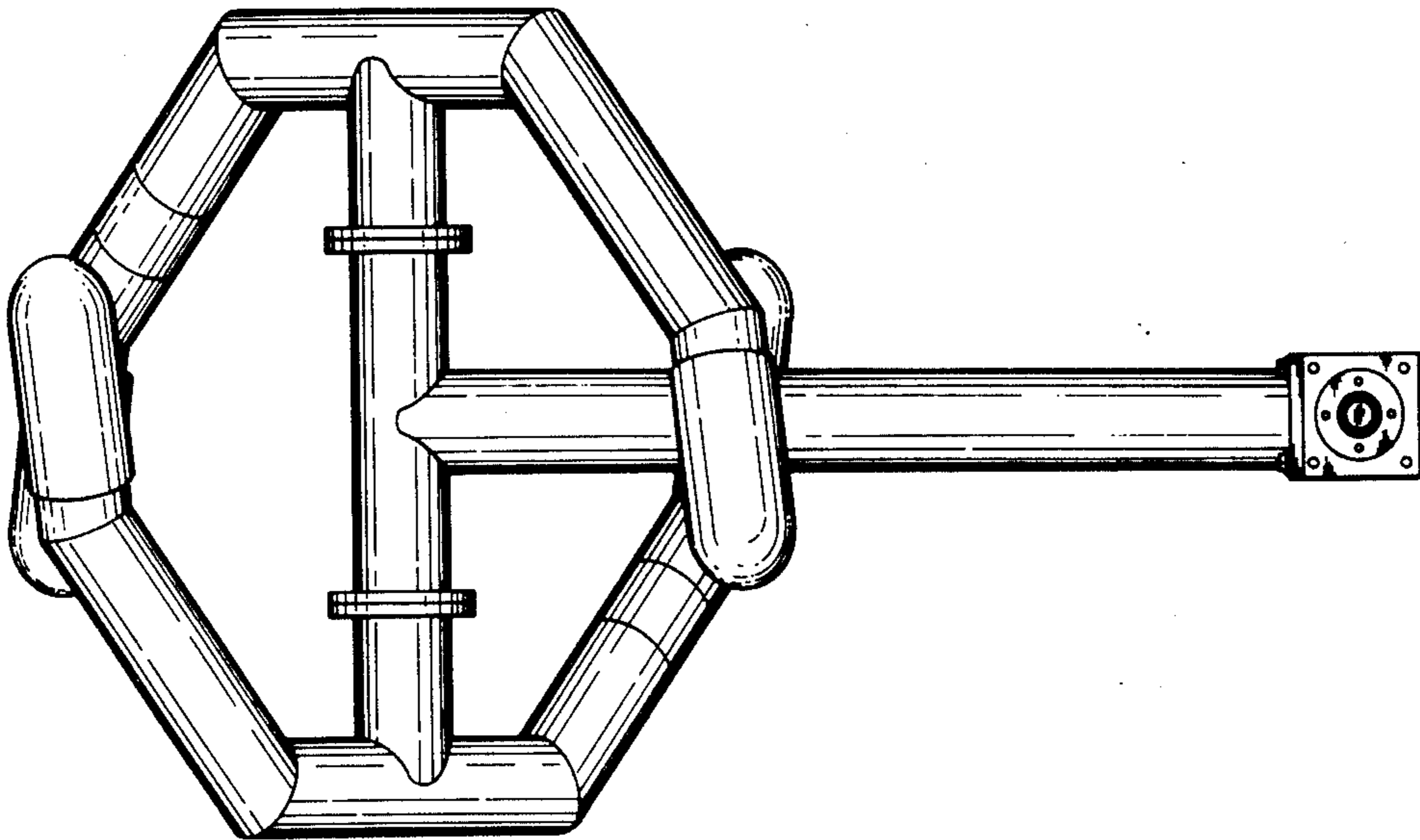
FIG. 5 is the other side elevational view thereof; and

FIG. 6 is a rear elevational view thereof.

[56] **References Cited**

U.S. PATENT DOCUMENTS

D. 211,794 7/1968 Silliman D14/86
 3,329,959 7/1967 Laub et al. 343/796



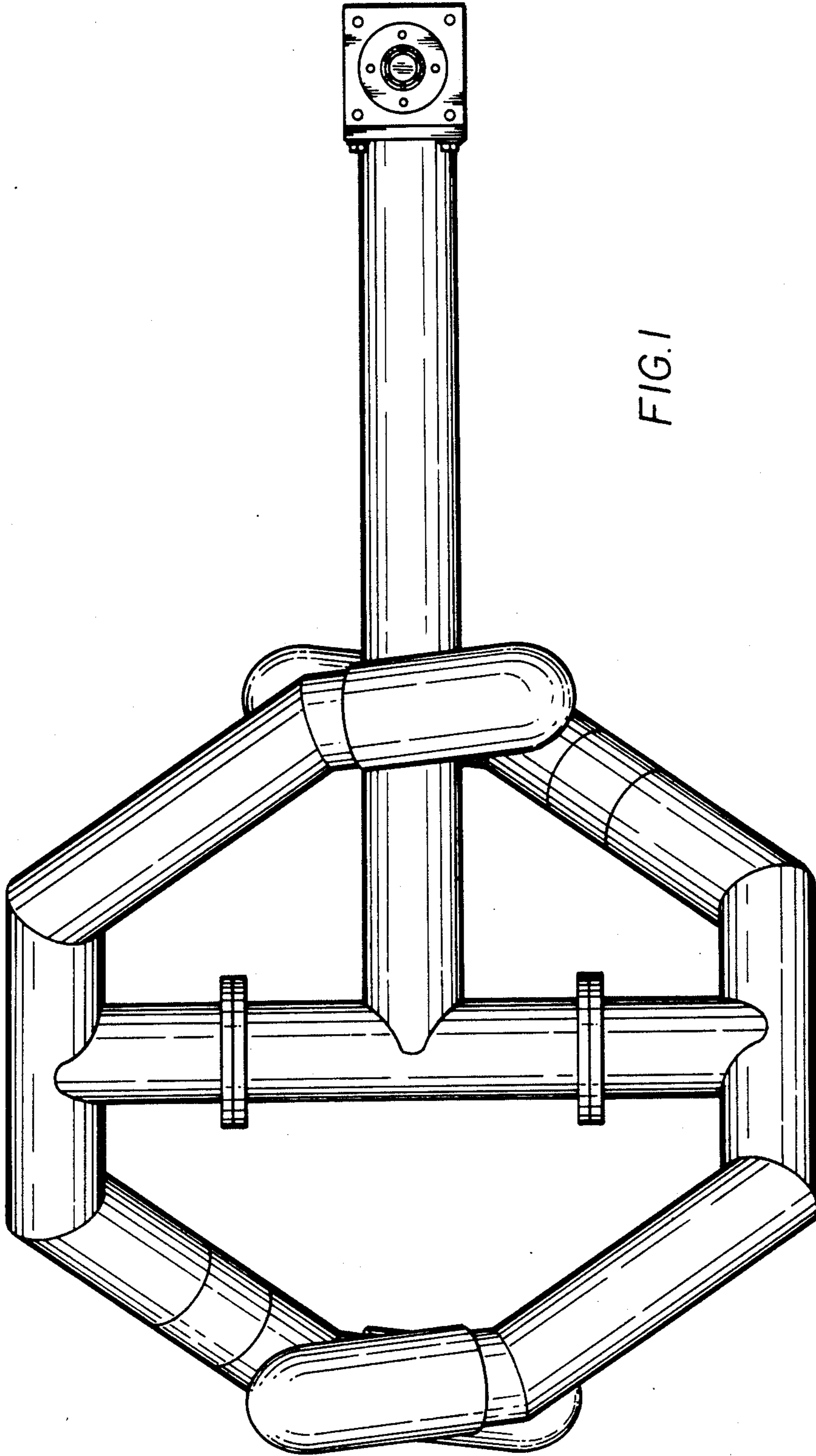


FIG. 1

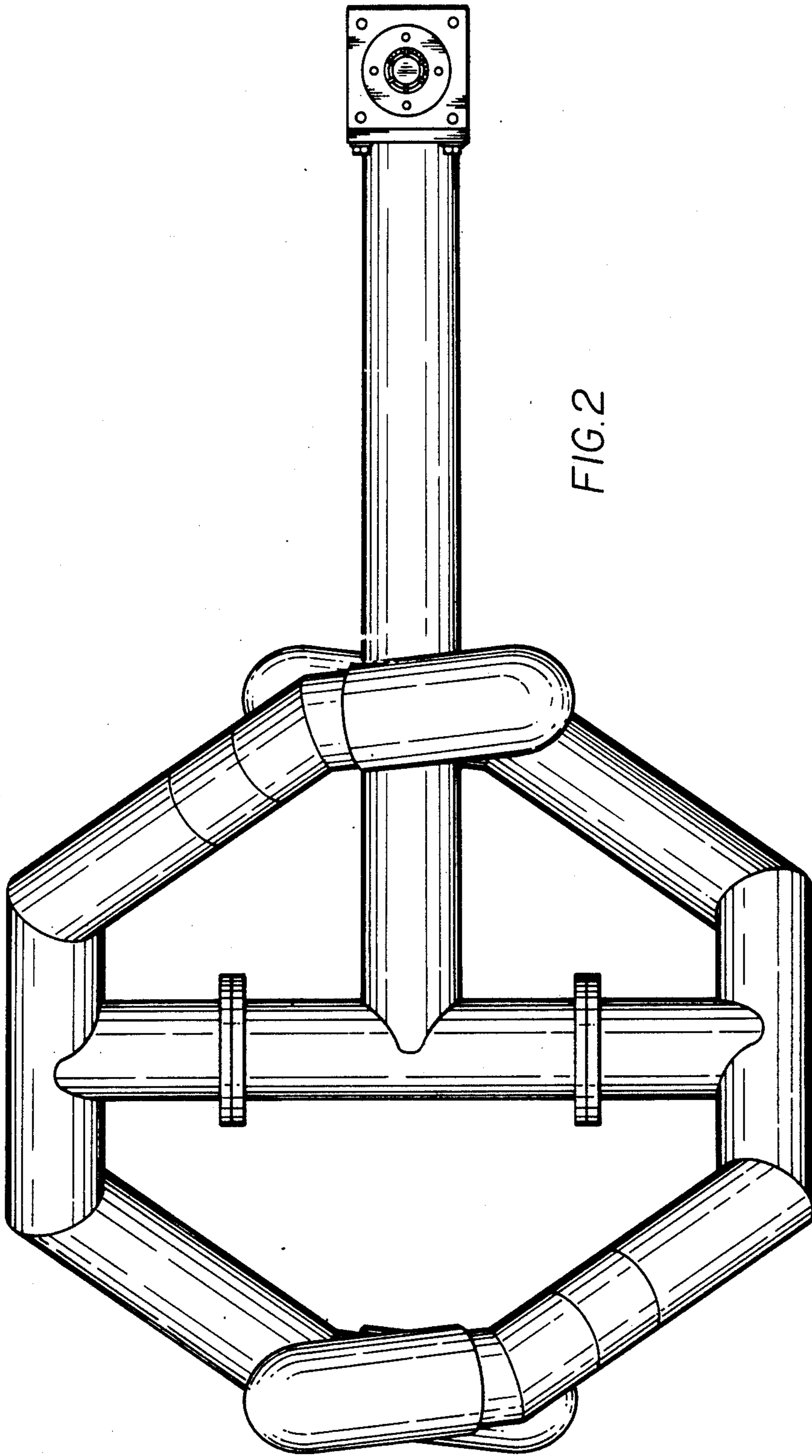
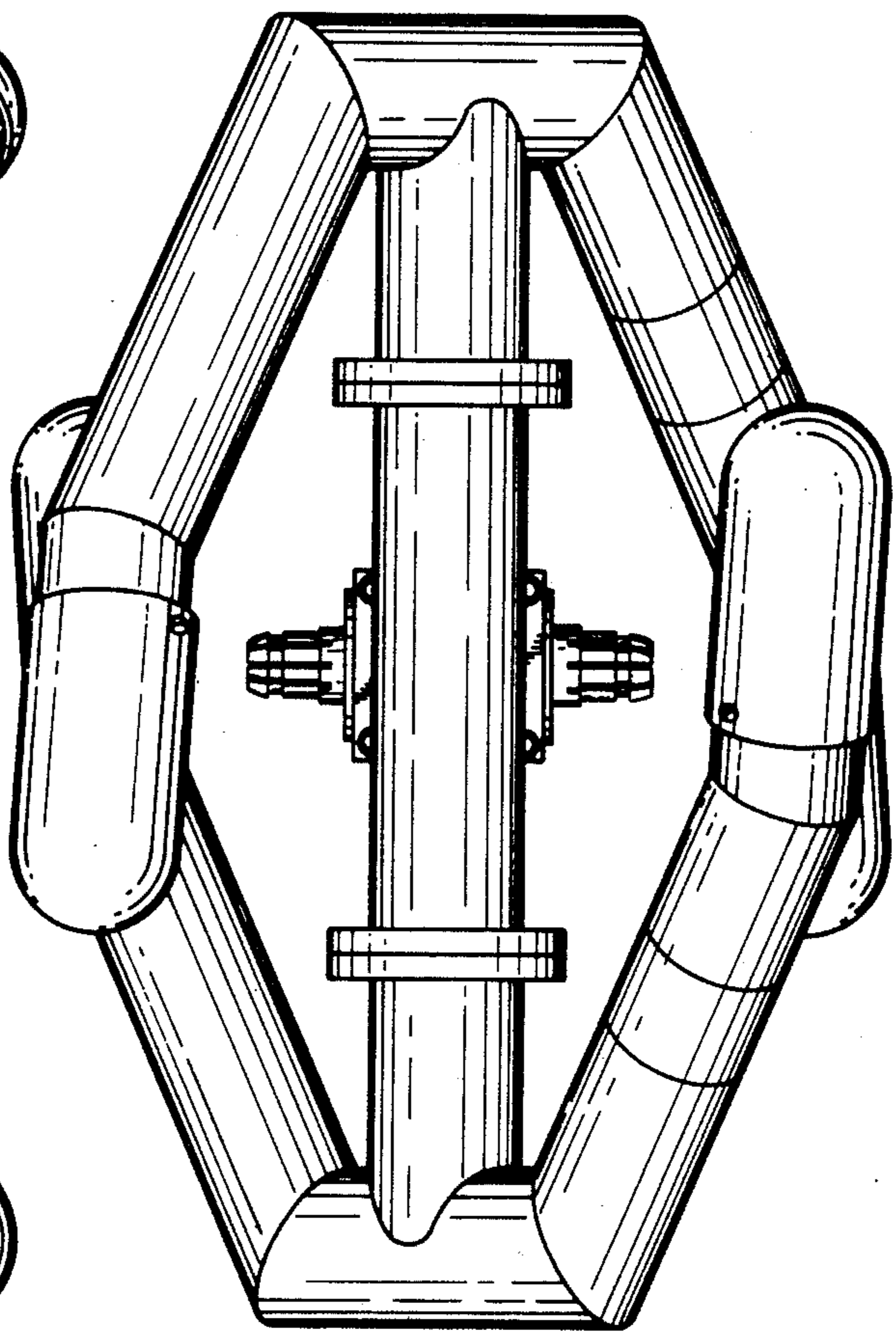
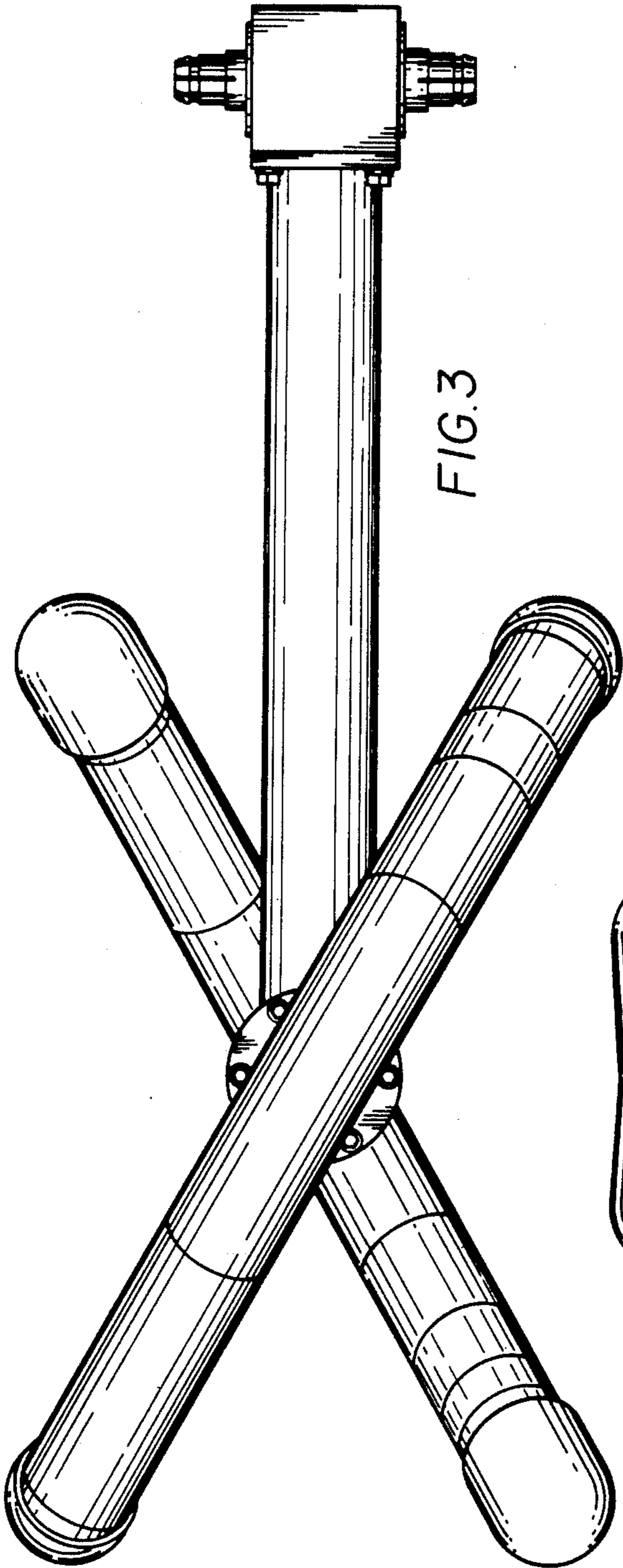


FIG. 2



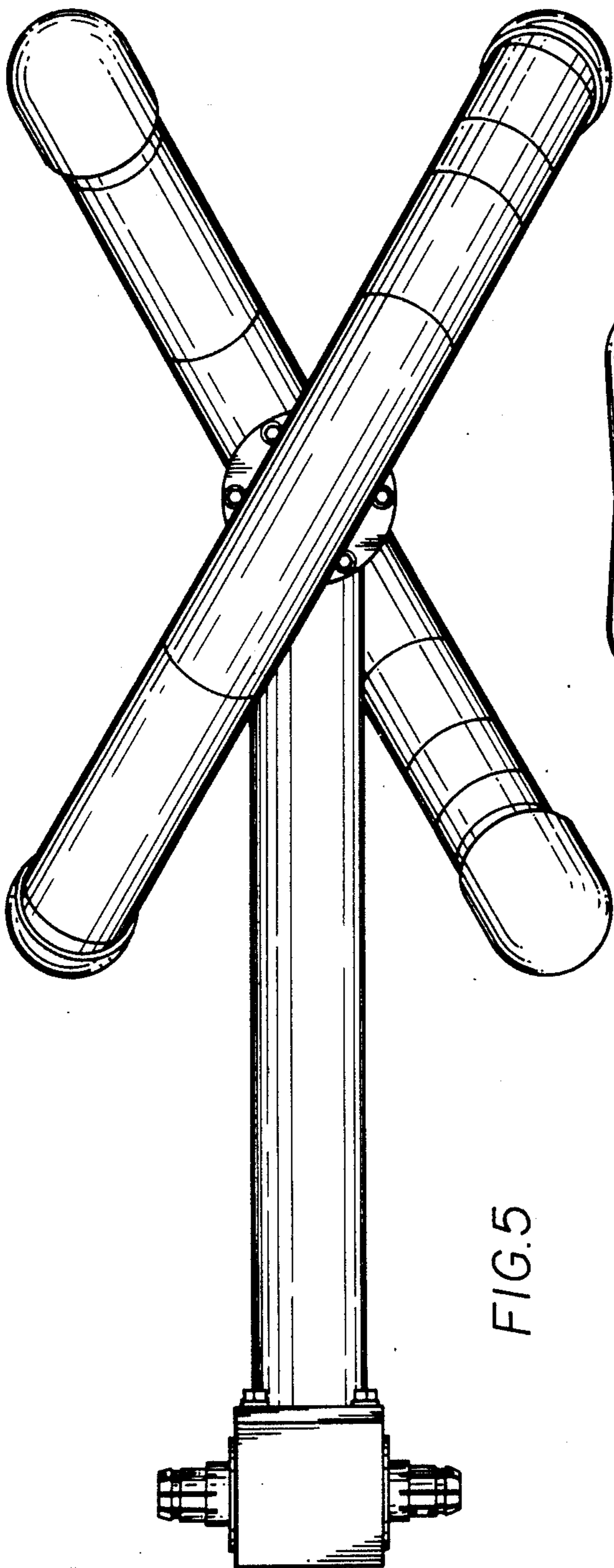


FIG. 5

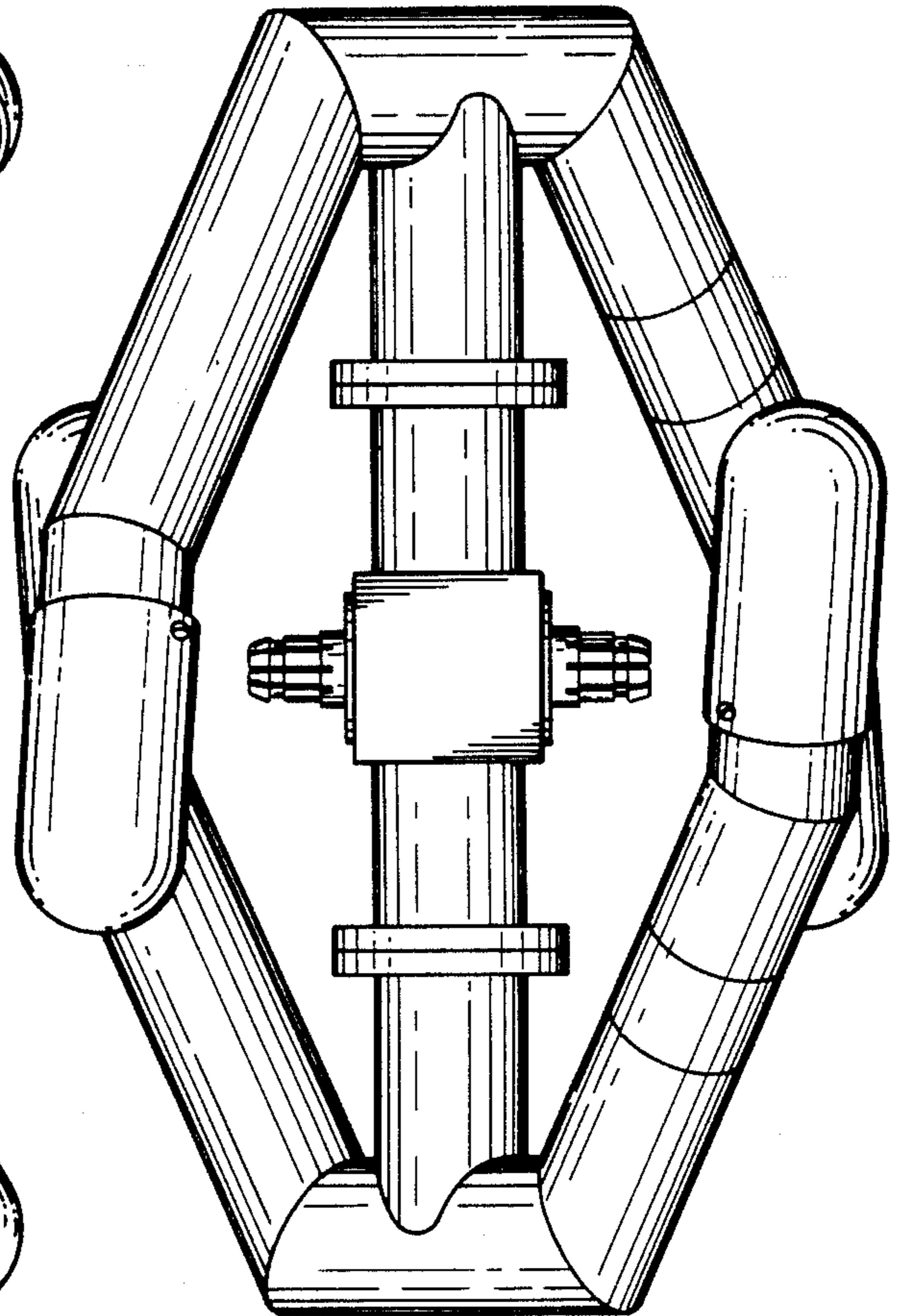


FIG. 6