

[54] TRICYCLE

[75] Inventor: Fredrick Michelau, Des Plaines, Ill.

[73] Assignee: Radio Steel & Mfg. Co., Chicago, Ill.

[**] Term: 14 Years

[21] Appl. No.: 726,043

[22] Filed: Sep. 23, 1976

[51] Int. Cl. D12-11

[52] U.S. Cl. D12/112; D34/15 AJ

[58] Field of Search D34/15 AJ, 15 AN, 15 AT;
D12/112, 113, 107, 108; 280/2, 1.11 R, 1.191,
1.202, 1.208, 87.01, 87.02, 211, 231, 242

[56] References Cited

U.S. PATENT DOCUMENTS

D. 228,399 9/1973 Camfield D12/112

OTHER PUBLICATIONS

Playthings, 11-1961, p. 29, Scooter.
Toys & Novelties, 9-1966, p. 55, Safety Cycle.

Primary Examiner—Joel Stearman
Assistant Examiner—C. A. Rademaker
Attorney, Agent, or Firm—Dugald S. McDougall

[57] CLAIM

The ornamental design for a tricycle, as shown and described.

DESCRIPTION

FIG. 1 is a rear perspective view of a tricycle showing my new design with the rear wheel shown in an exploded condition;
FIG. 2 is a rear elevational view thereof with the rear wheel in an attached condition; and,
FIG. 3 is a top plan view thereof.

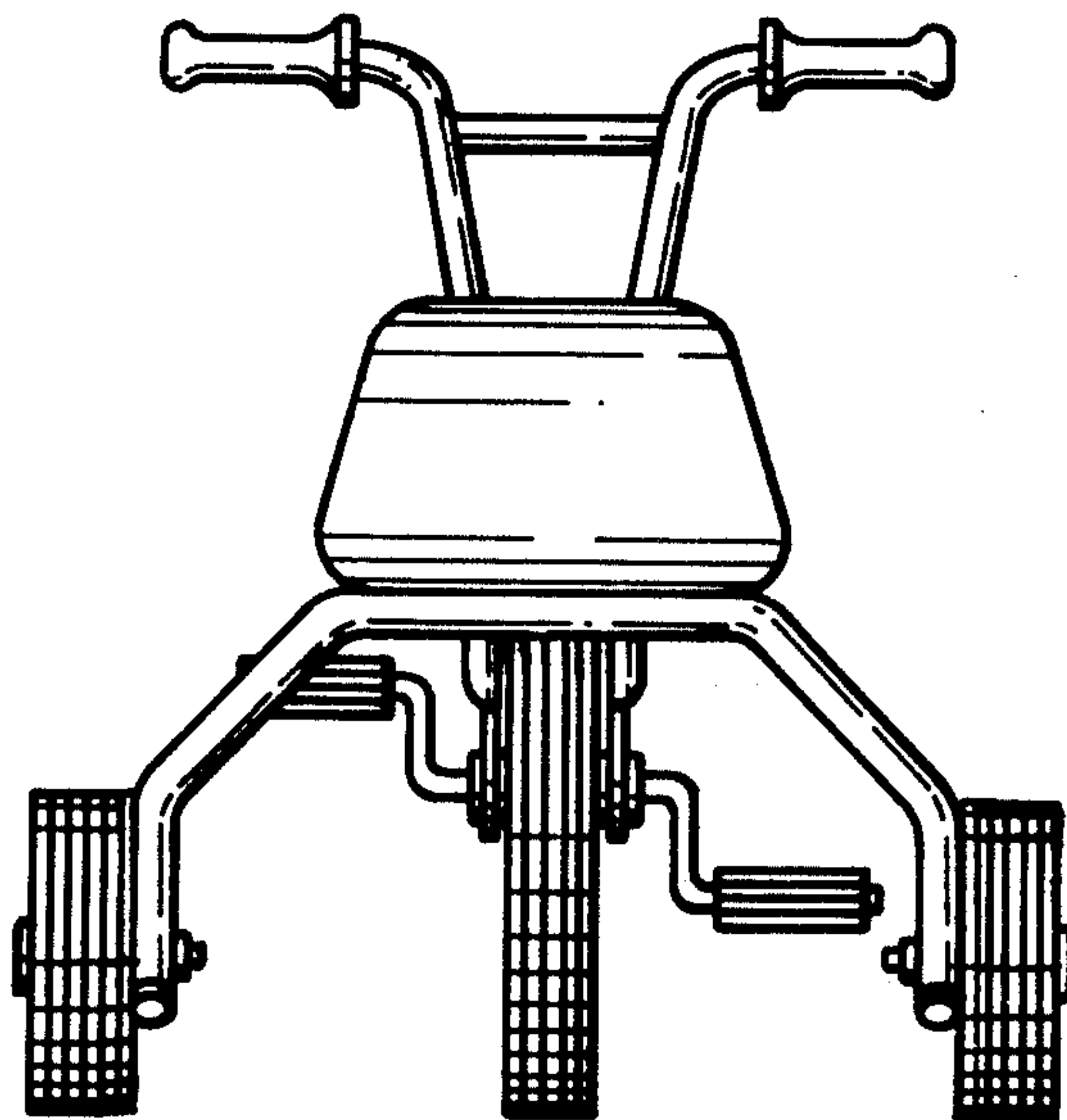


FIG. 1

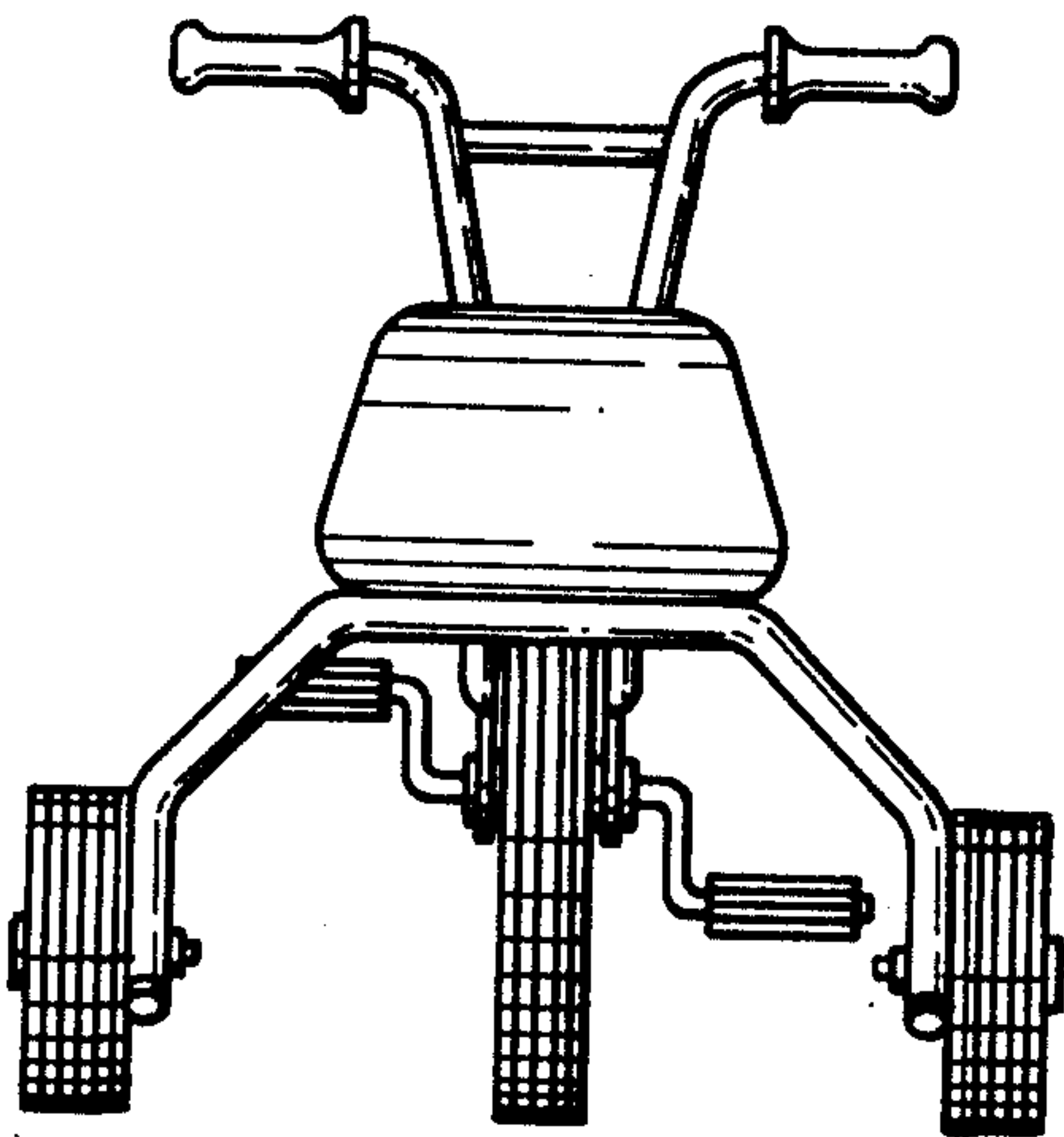
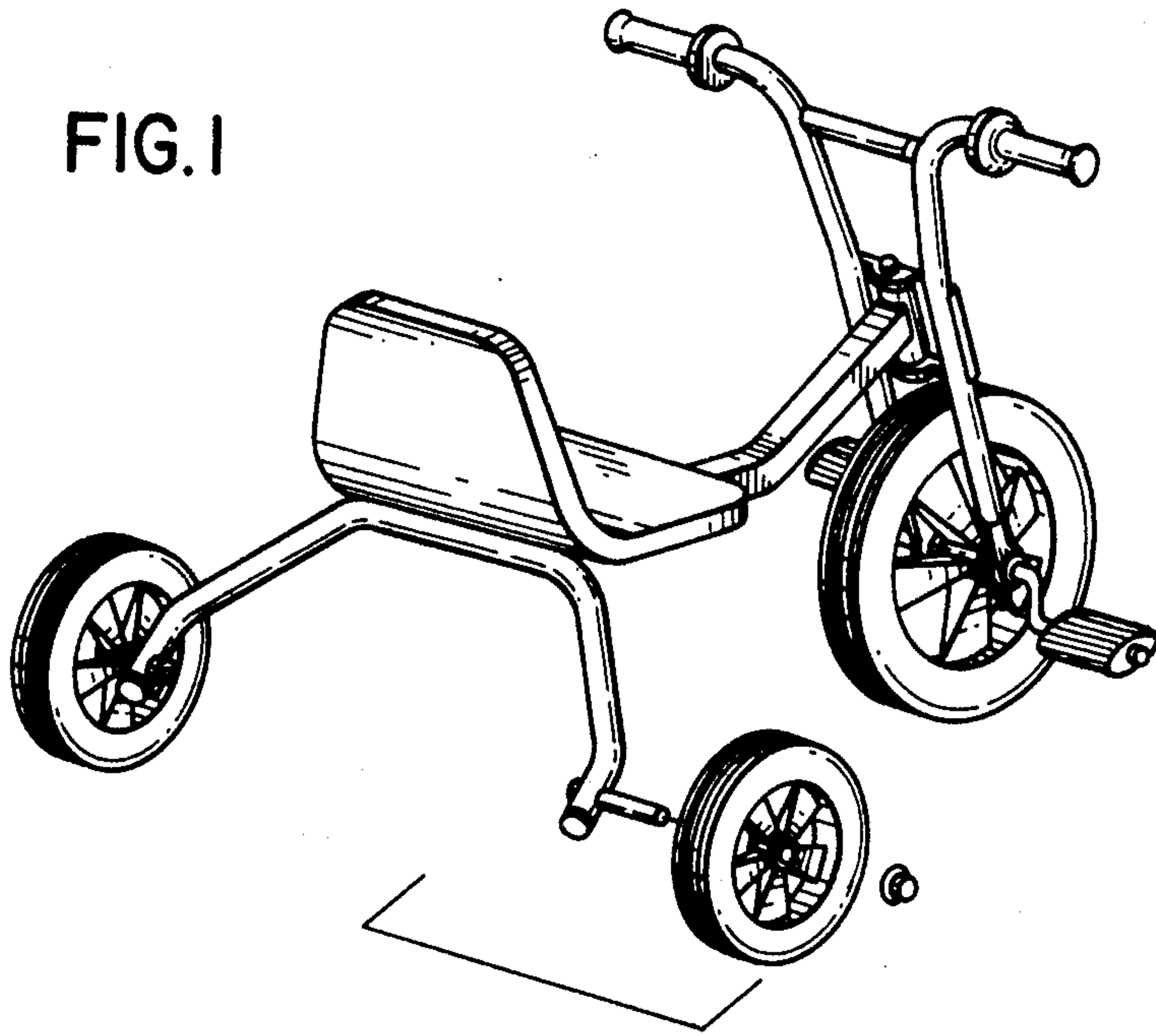


FIG. 2

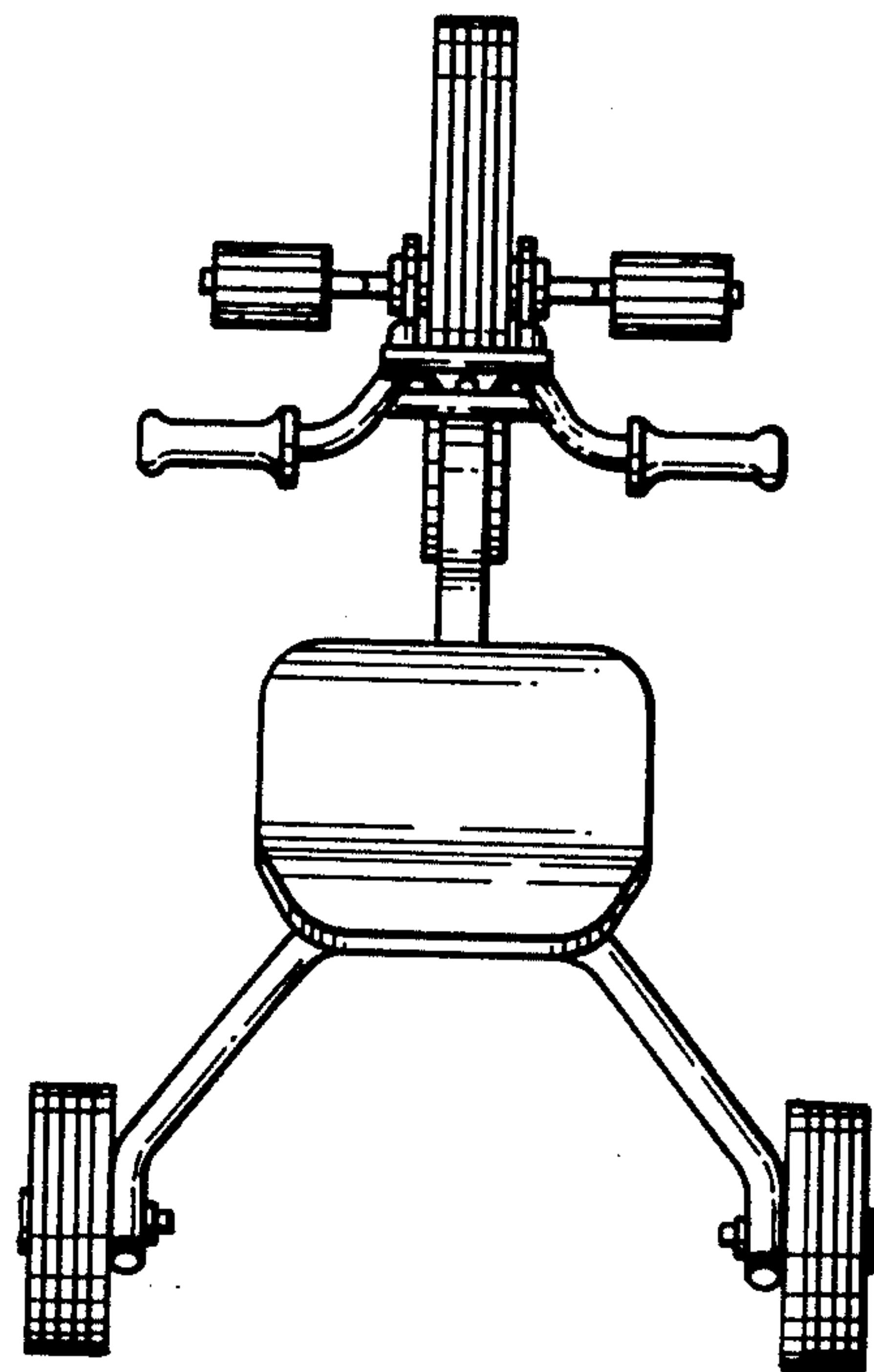


FIG. 3