

[54] ROLLER CONVEYOR BELT

[76] Inventor: **Ronald D. Bourgeois**, 138 Ellison Park, Waltham, Mass. 02154

[**] Term: **14 Years**

[21] Appl. No.: **726,551**

[22] Filed: **Sep. 27, 1976**

[51] Int. Cl. **D12-60**

[52] U.S. Cl. **D12/60**

[58] Field of Search **D12/58, 60; 193/35 R, 193/35 A, 35 B, 35 F, 37; 198/779, 780, 793, 803, 804, 820, 824, 825, 827, 830, 831, 844, 845**

[56]

References Cited

U.S. PATENT DOCUMENTS

1,970,899	8/1934	Renwick	193/35 R X
2,669,334	2/1954	Metzgar	D12/58 UX
3,103,271	9/1963	Christiansen	193/35 F
3,289,817	12/1966	McLaughlin	198/844 X
3,450,260	6/1969	Mathews et al.	198/844 X

Primary Examiner—Susan J. Lucas
Attorney, Agent, or Firm—Joseph S. Iandiorio

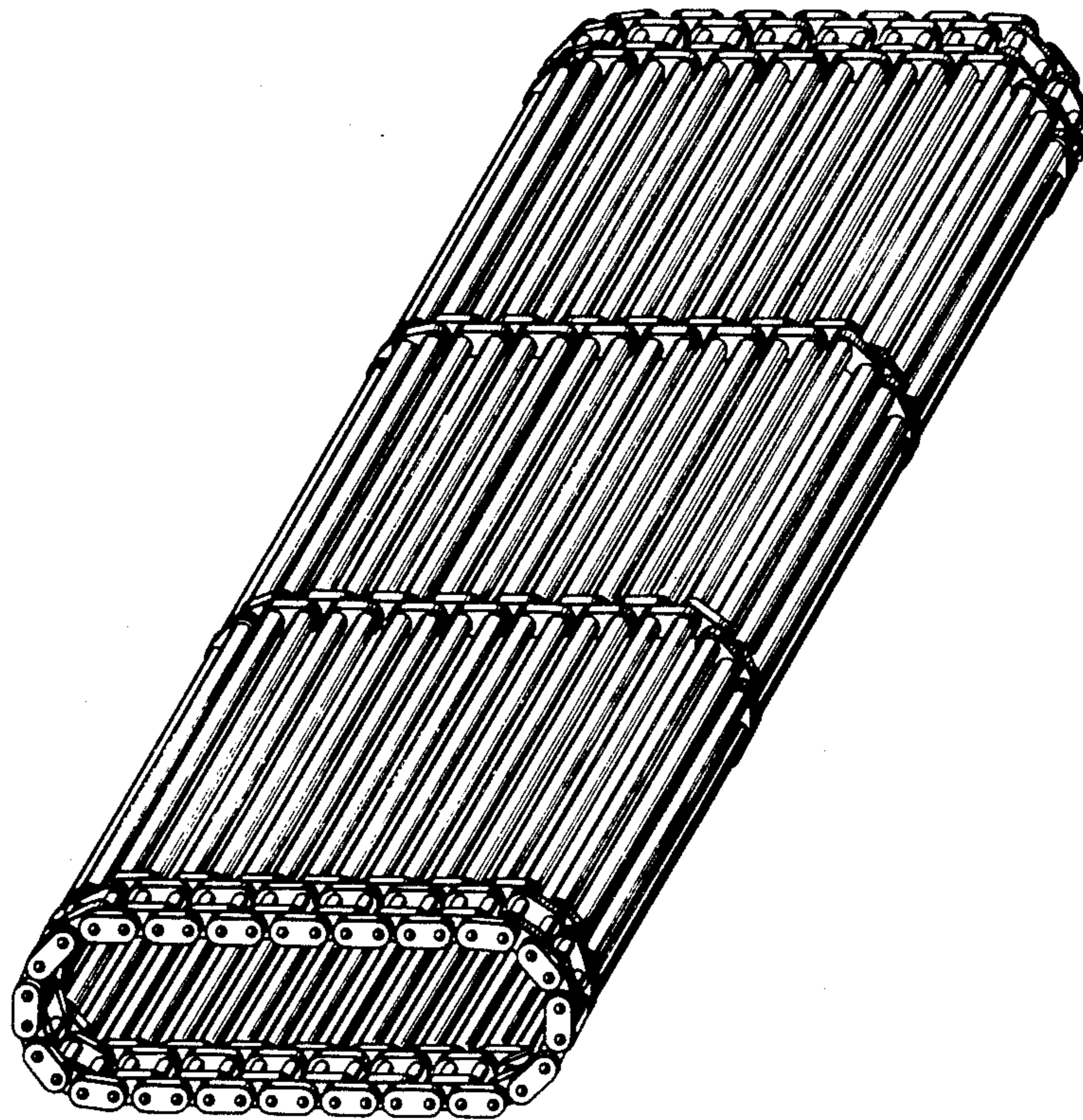
[57]

CLAIM

The ornamental design for a roller conveyor belt, as shown and described.

DESCRIPTION

FIG. 1 is a fragmentary plan view of the roller conveyor belt showing my new design, the belt being fragmentarily shown for convenience of illustration; and FIG. 2 is an axonometric view of the roller conveyor belt of FIG. 1.



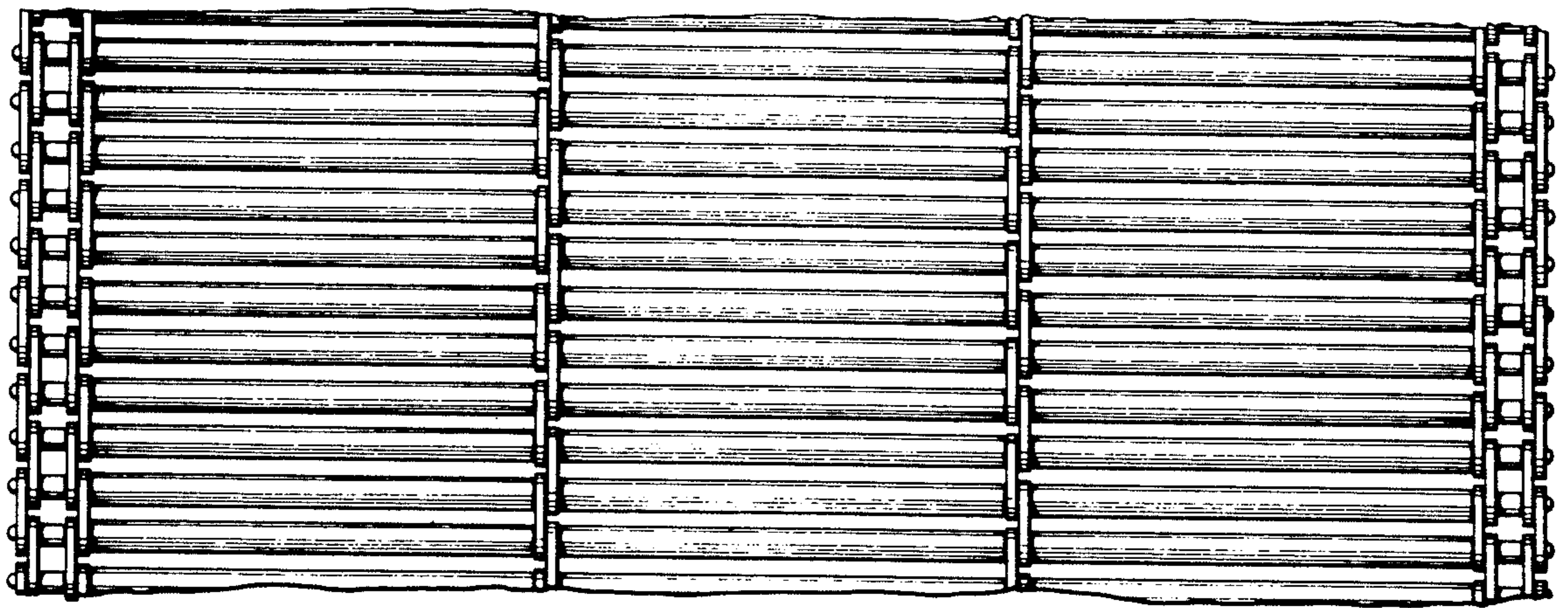


FIG. 1.

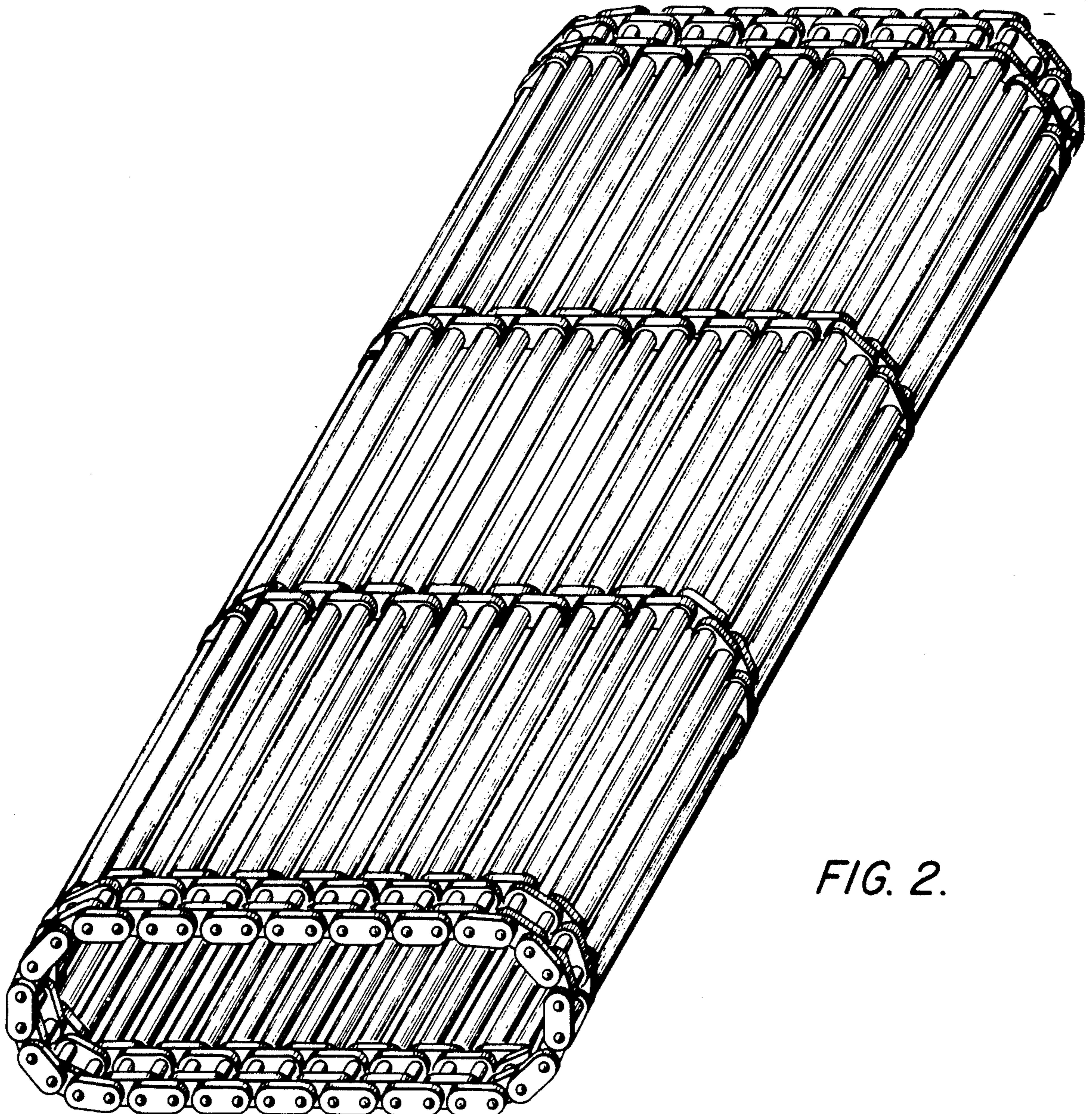


FIG. 2.