

[54] SUPPORT FOR POTTED PLANTS

[76] Inventor: Richard E. Cone, 249 Bowman Dr., Kent, Ohio 44240

[\*\*] Term: 14 Years

[21] Appl. No.: 850,083

[22] Filed: Nov. 10, 1977

[51] Int. Cl. .... D11-02; D6-06

[52] U.S. Cl. .... D11/164; D6/20; D6/85; D6/182

[58] Field of Search ..... D6/23-25, D6/27-29, 20, 182, 183; 47/39, 47; 211/13, 74, 77, 78, 181, 182; D11/164; D8/1

[56] References Cited

U.S. PATENT DOCUMENTS

D. 193,438	8/1962	Holt	.....	D6/182
D. 244,571	6/1977	Cowan	.....	D6/20
214,061	4/1879	Stearns	.....	211/77

FOREIGN PATENT DOCUMENTS

750,660 8/1933 France ..... D6/85

Primary Examiner—Wallace R. Burke

Assistant Examiner—B. J. Bullock

Attorney, Agent, or Firm—Donald R. Bahr

[57] CLAIM

The ornamental design for a support for potted plants, as shown and described.

DESCRIPTION

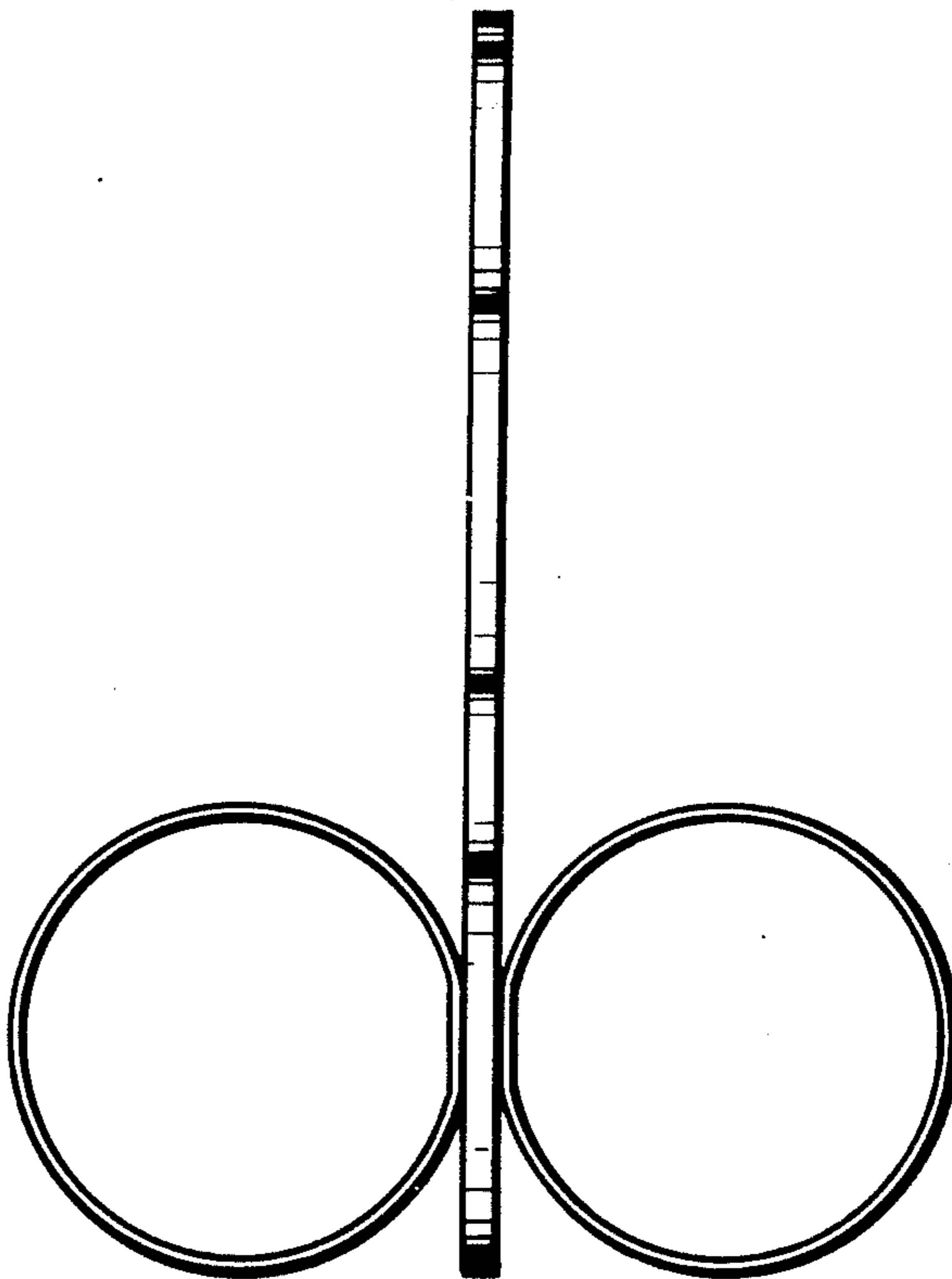
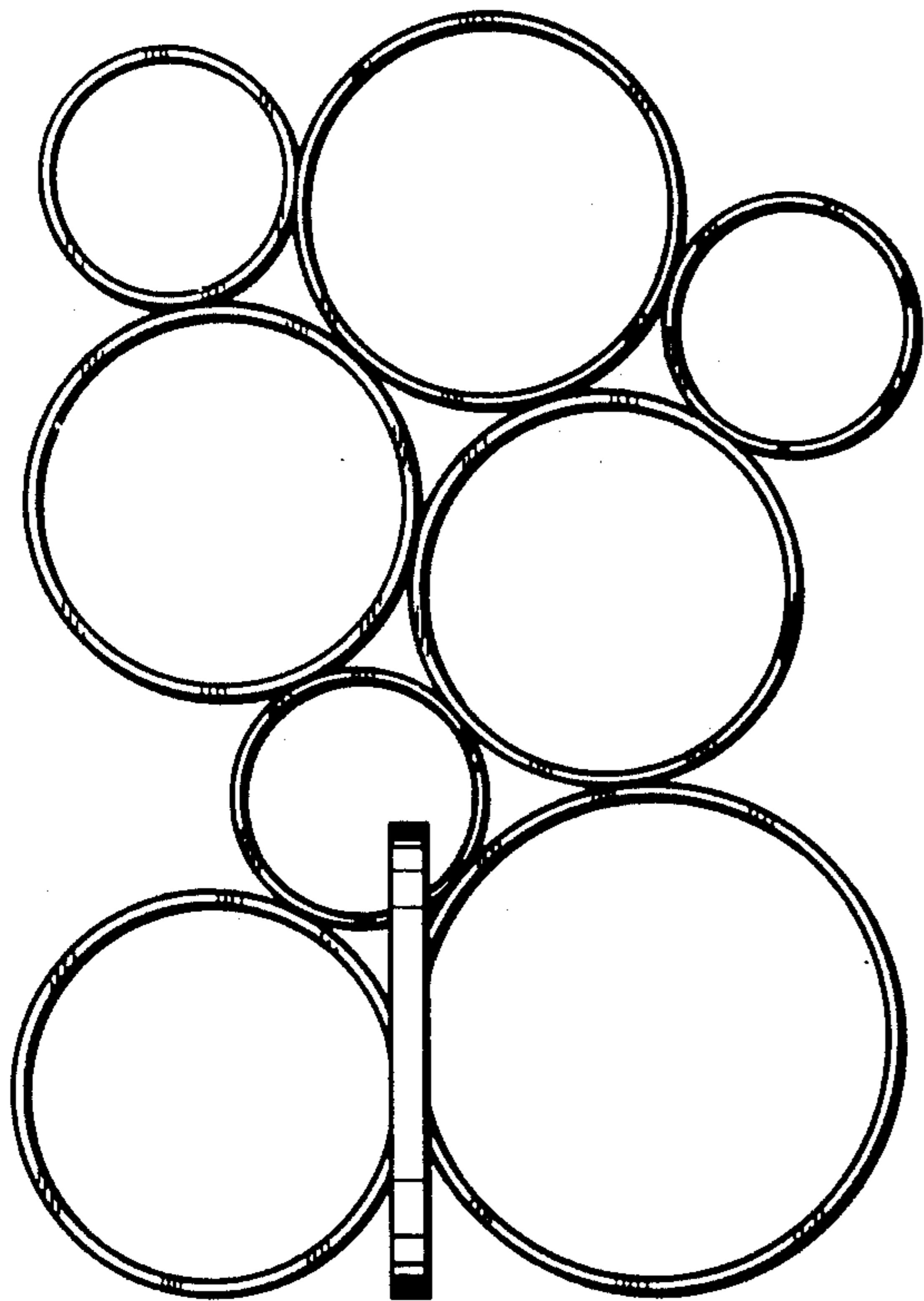
FIG. 1 is a front elevational view of a support for potted plants showing my new design;

FIG. 2 is a bottom plan view thereof;

FIG. 3 is a top plan view thereof;

FIG. 4 is a side elevational view taken from the left of FIG. 1;

FIG. 5 is a side elevational view taken from the right of FIG. 1.



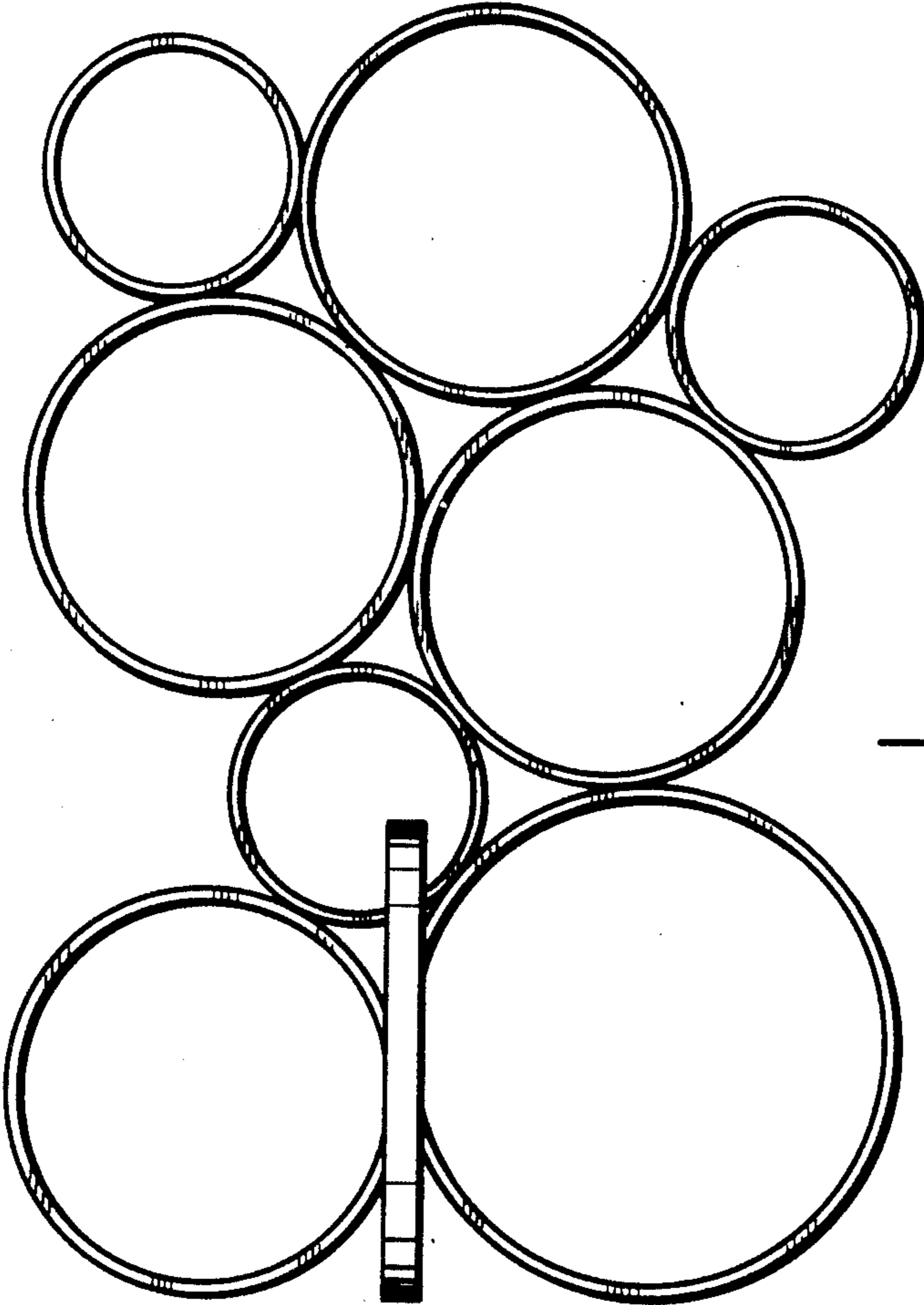


FIG. 1

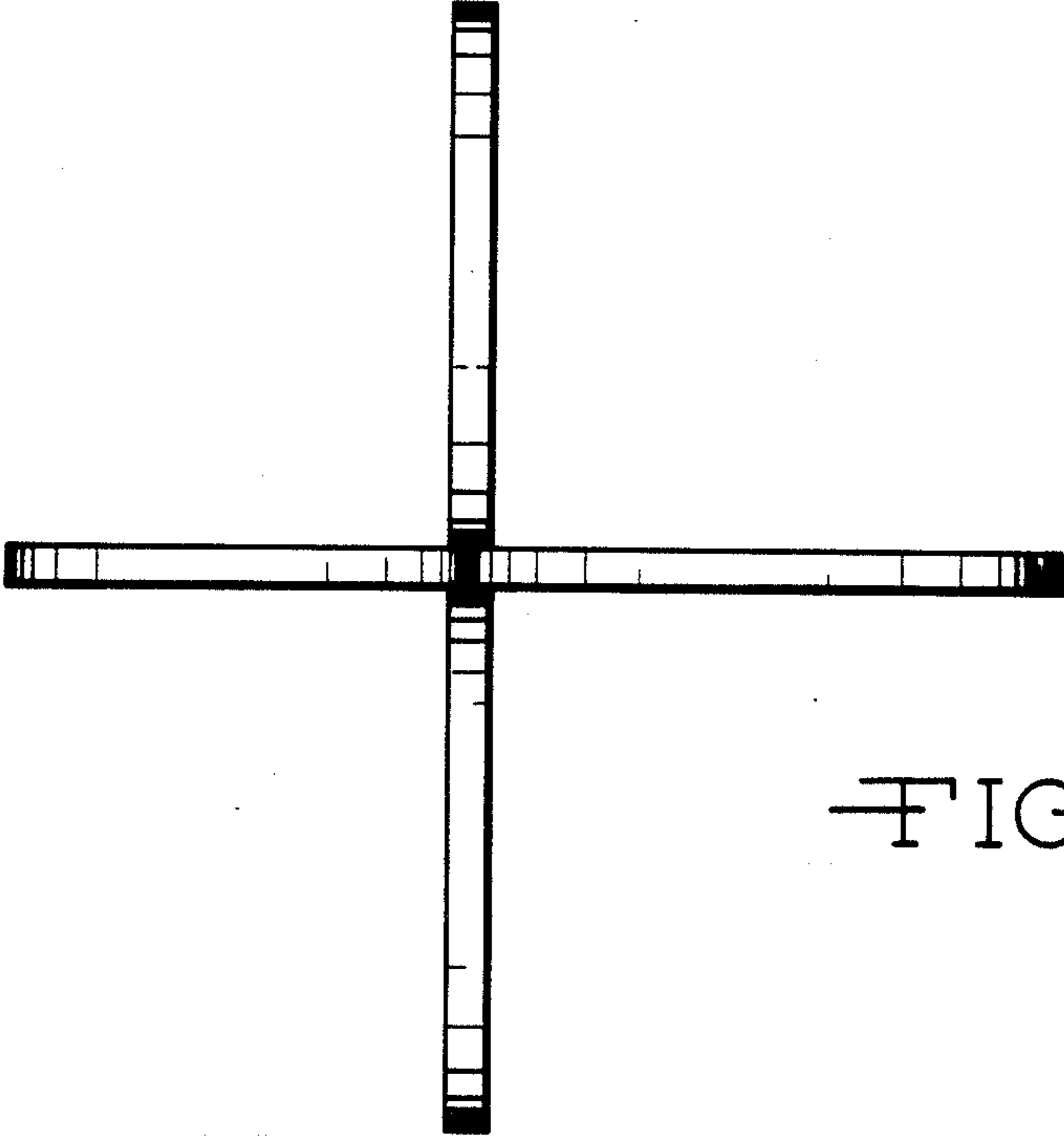


FIG. 2

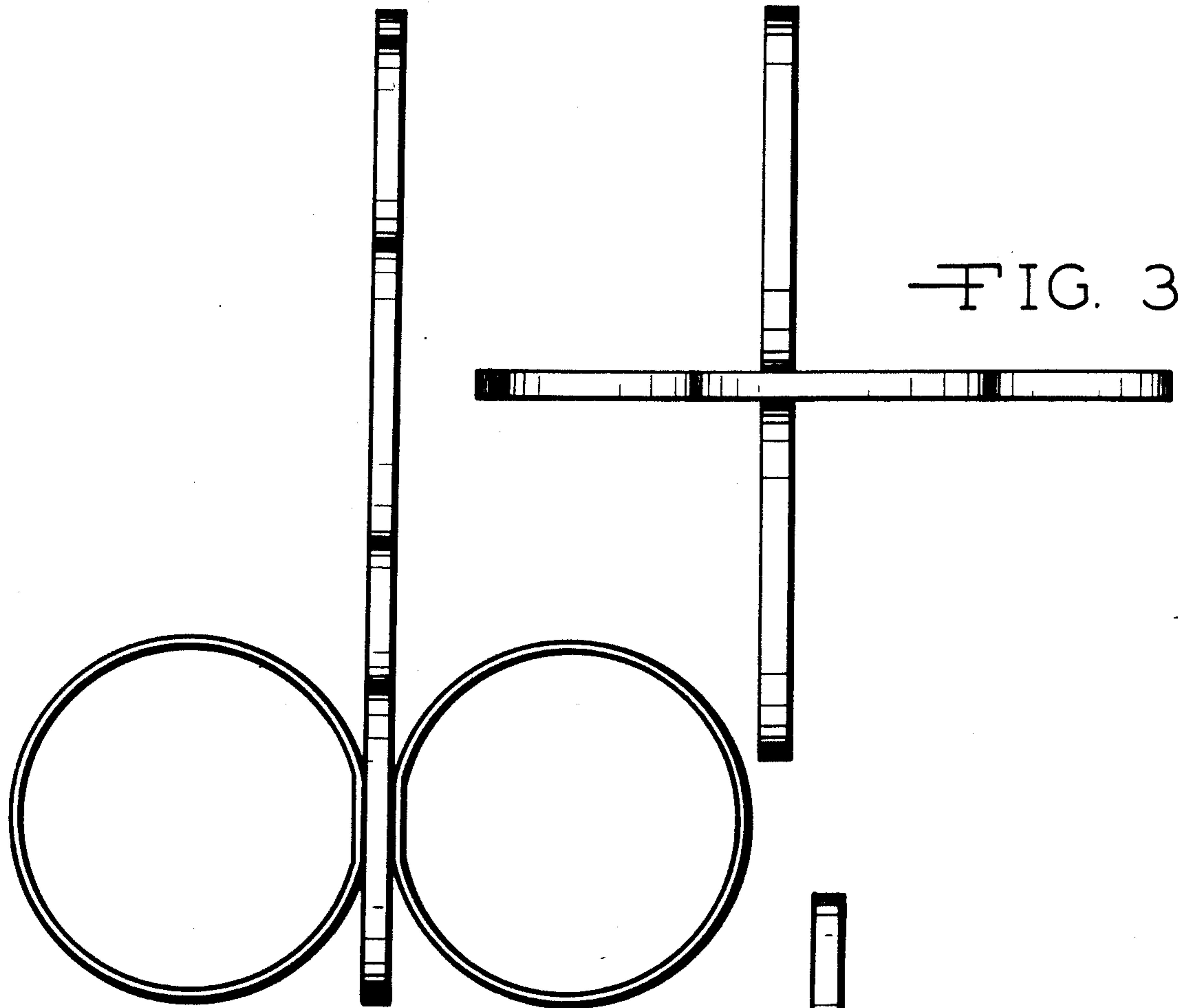


FIG. 3

FIG. 4

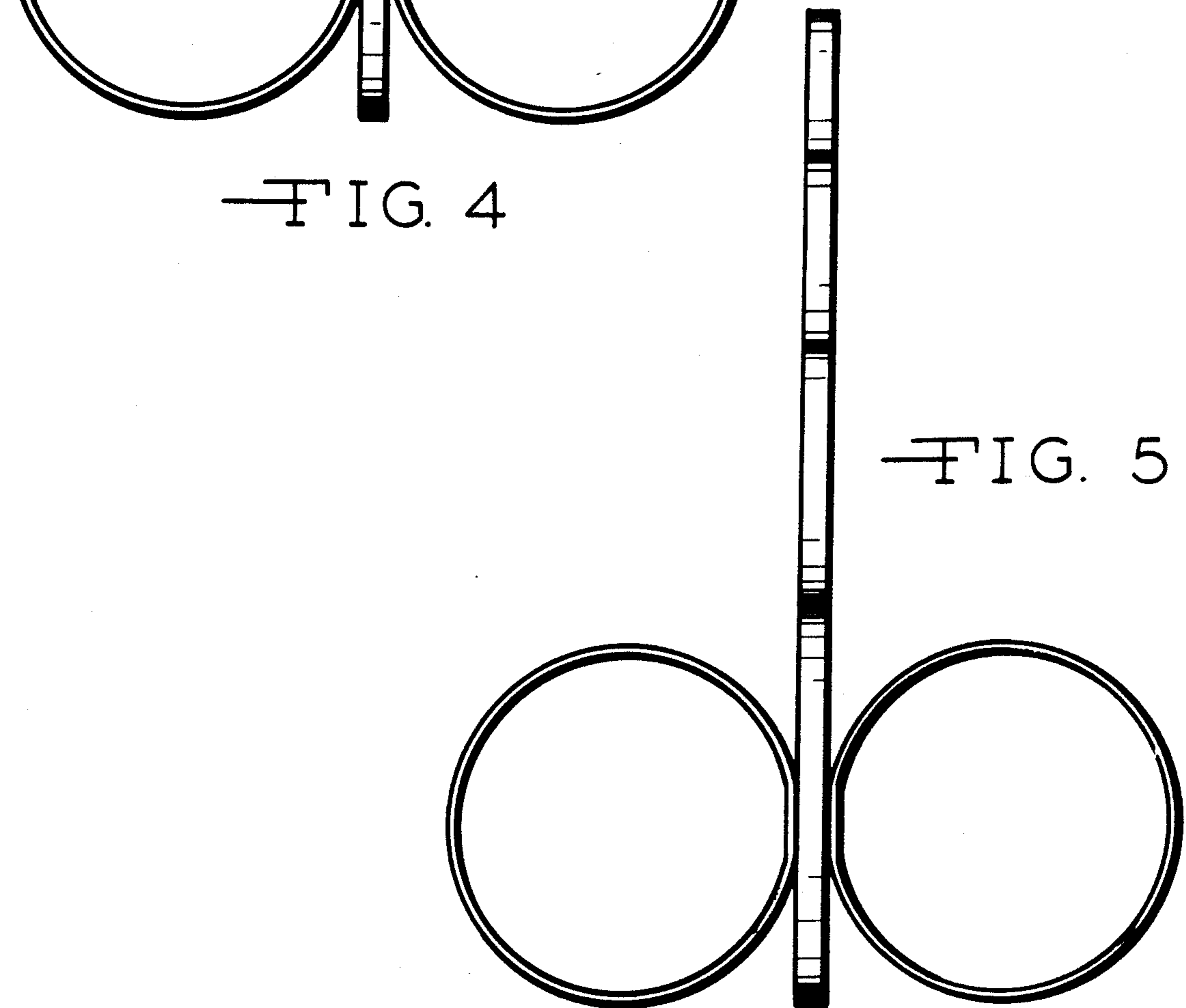


FIG. 5