

[54] RADAR UNIT HOLDER

[76] Inventor: Harlen F. Willis, 5330 N. Agnes, Kansas City, Mo. 64119

[**] Term: 14 Years

[21] Appl. No.: 756,054

[22] Filed: Jan. 3, 1977

[51] Int. Cl. D10-06

[52] U.S. Cl. D10/121

[58] Field of Search D10/104, 121; 343/18 E, 343/5 PD; 248/206 R, 309 R

[56] References Cited

U.S. PATENT DOCUMENTS

2,980,379	4/1961	Goldfus	248/206 R
3,071,728	1/1963	Grace et al.	248/309 X
3,343,772	9/1967	Howell et al.	248/206 R
4,042,201	8/1977	O'Callaghan	248/309 R

FOREIGN PATENT DOCUMENTS

1,129,572	5/1962	Fed. Rep. of Germany	248/309
-----------	--------	----------------------------	---------

Primary Examiner—Susan J. Lucas

Attorney, Agent, or Firm—Claude A. Fishburn

[57] CLAIM

The ornamental design for a radar unit holder, as shown and described.

DESCRIPTION

FIG. 1 is a perspective view of a radar unit holder embodying my design.

FIG. 2 is a front elevational view thereof with the radar unit shown in broken lines for illustration only.

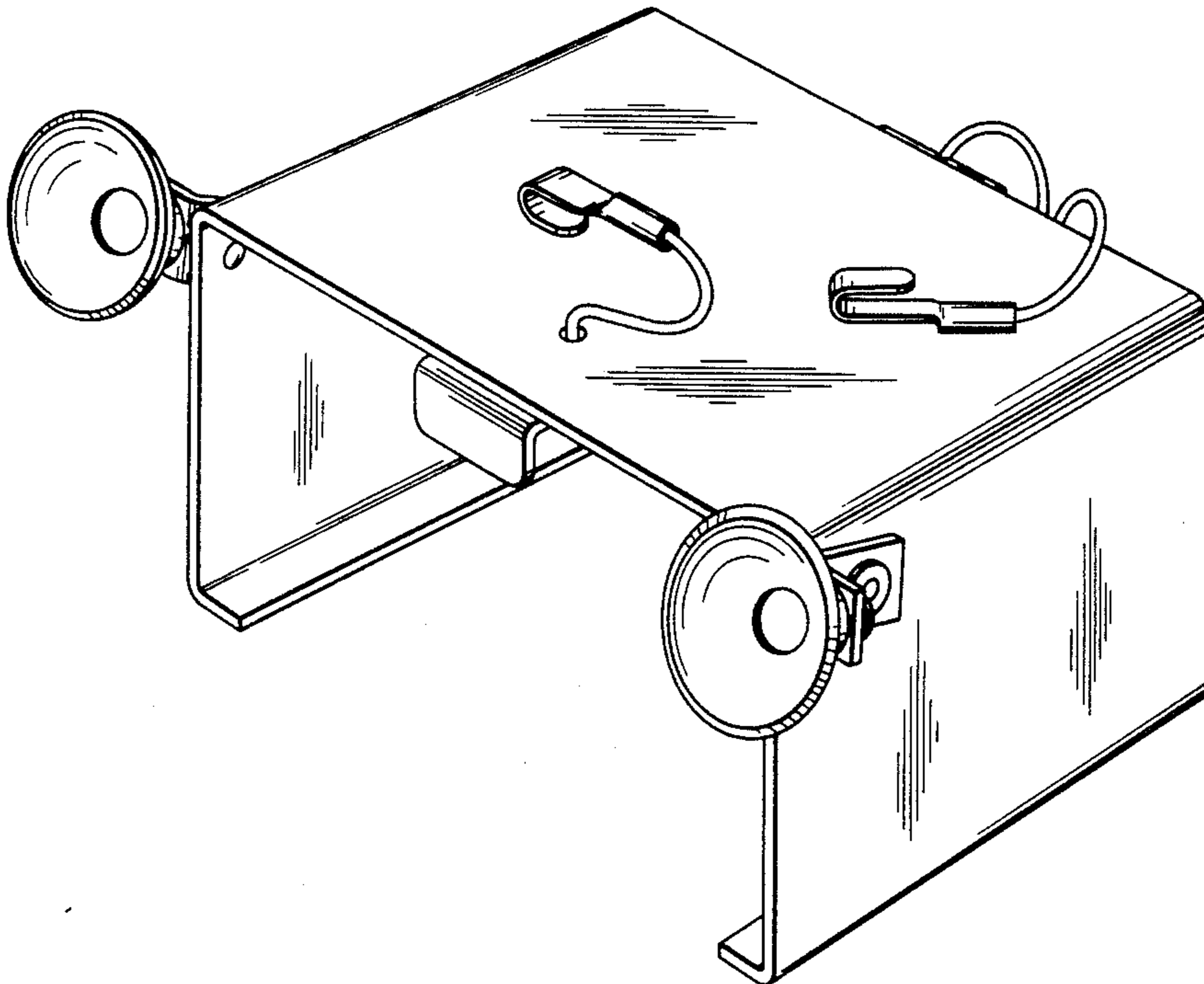
FIG. 3 is a rear elevational view thereof with the radar unit shown in broken lines for illustration only with the line and connectors on each end thereof omitted for clarity of illustration.

FIG. 4 is a side elevational view thereof and showing a supporting windshield and sun visor in broken lines for illustration only, the other side being substantially identical.

FIG. 5 is a top plan view thereof with the line and connectors on each end thereof omitted for clarity of illustration.

FIG. 6 is a view looking upwardly from the bottom thereof with the line and connectors on each end thereof omitted for clarity of illustration.

FIG. 7 is a fragmentary transverse sectional view taken on line 7-7 of FIG. 5.



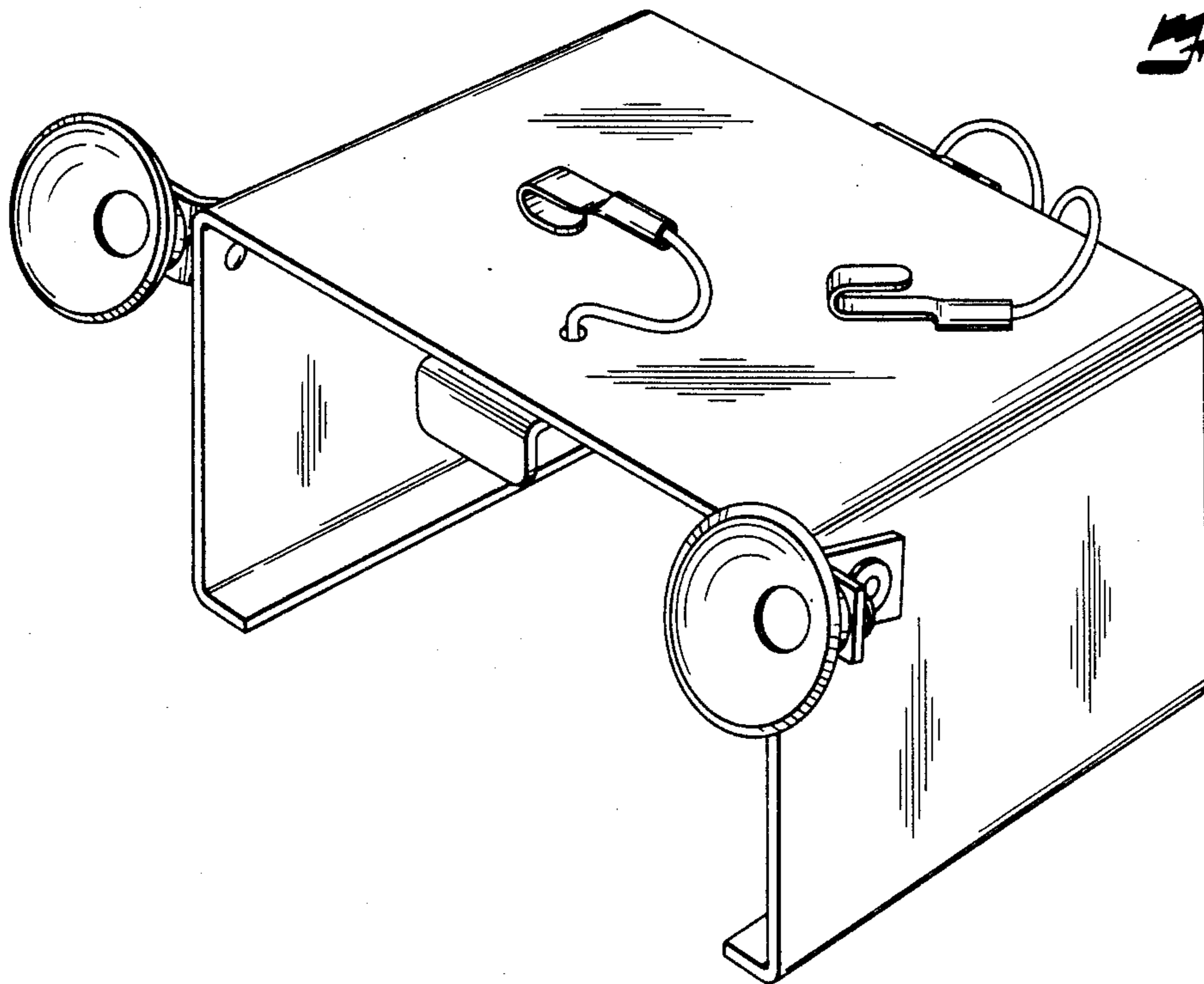


Fig. 1.

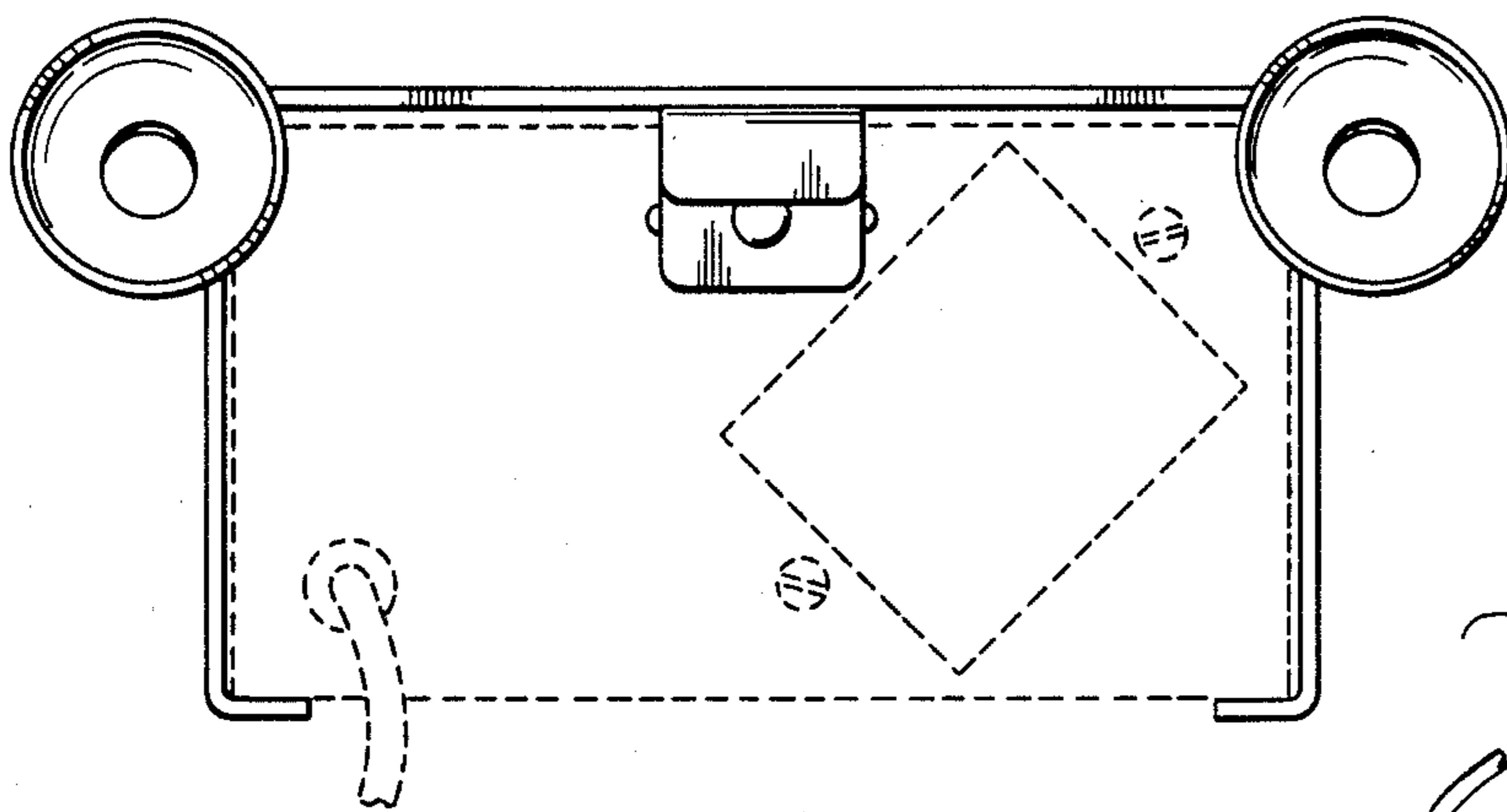


Fig. 2.

Fig. 3.

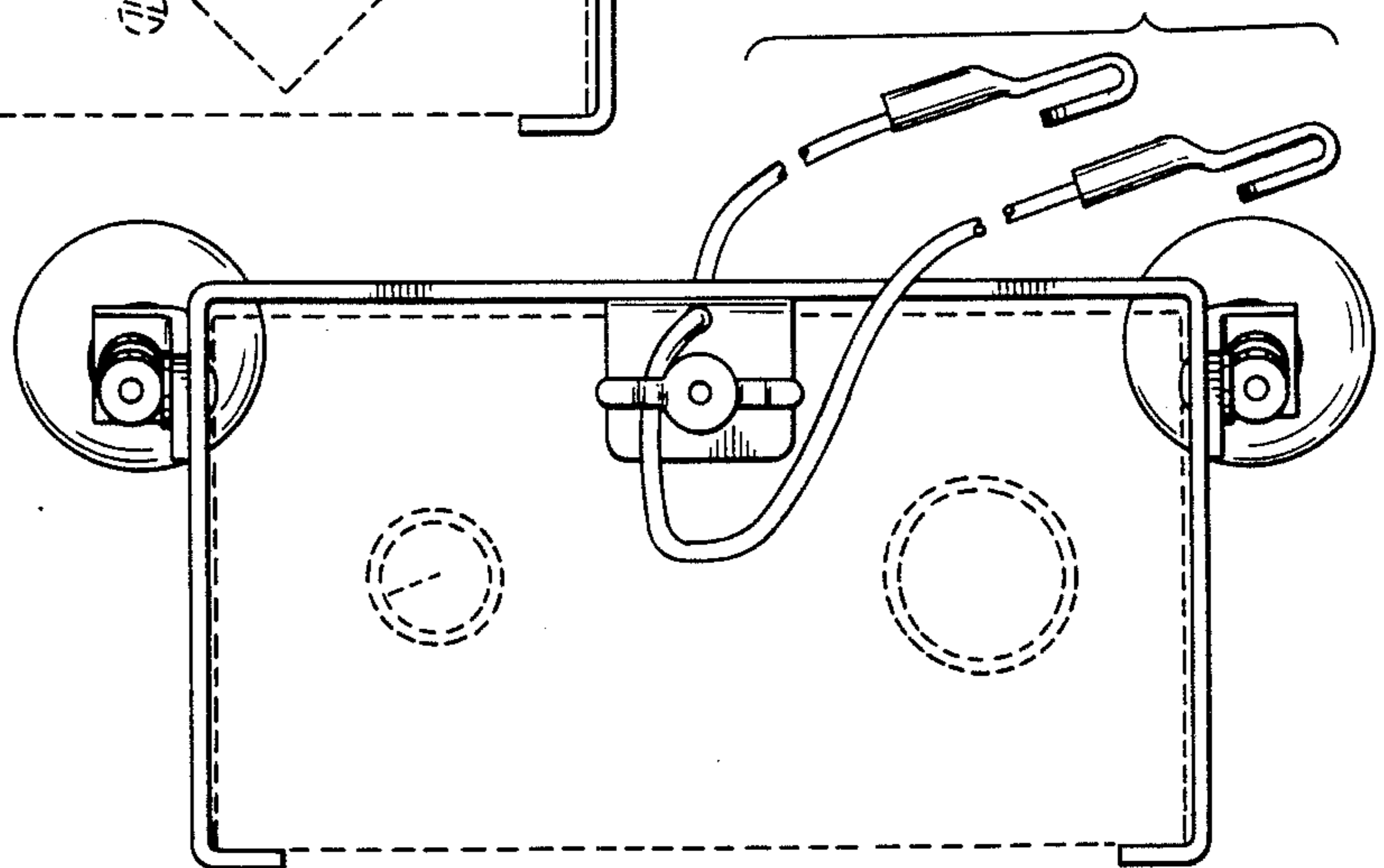


Fig. 4.

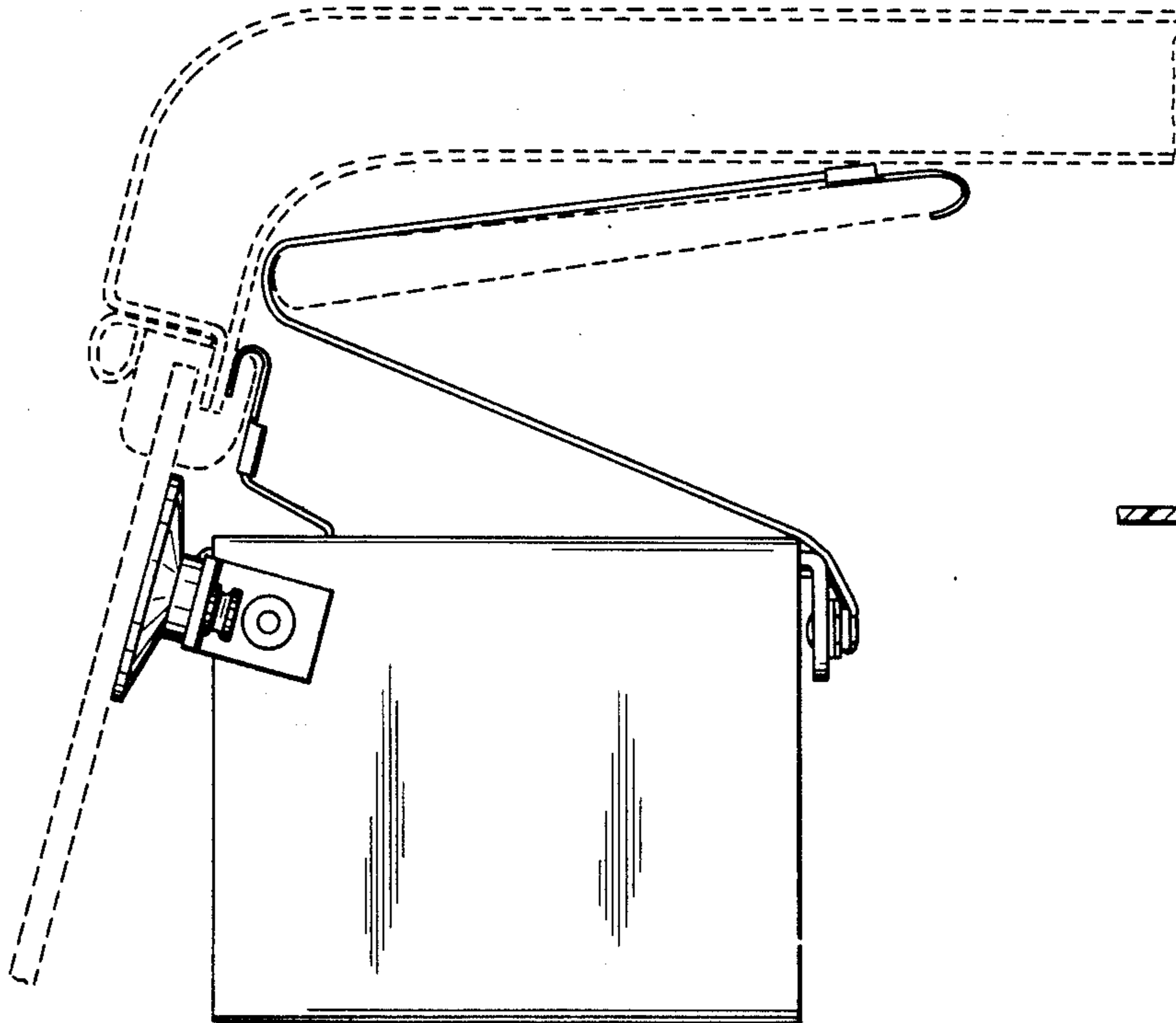


Fig. 7.



6.

6.

Fig. 5.

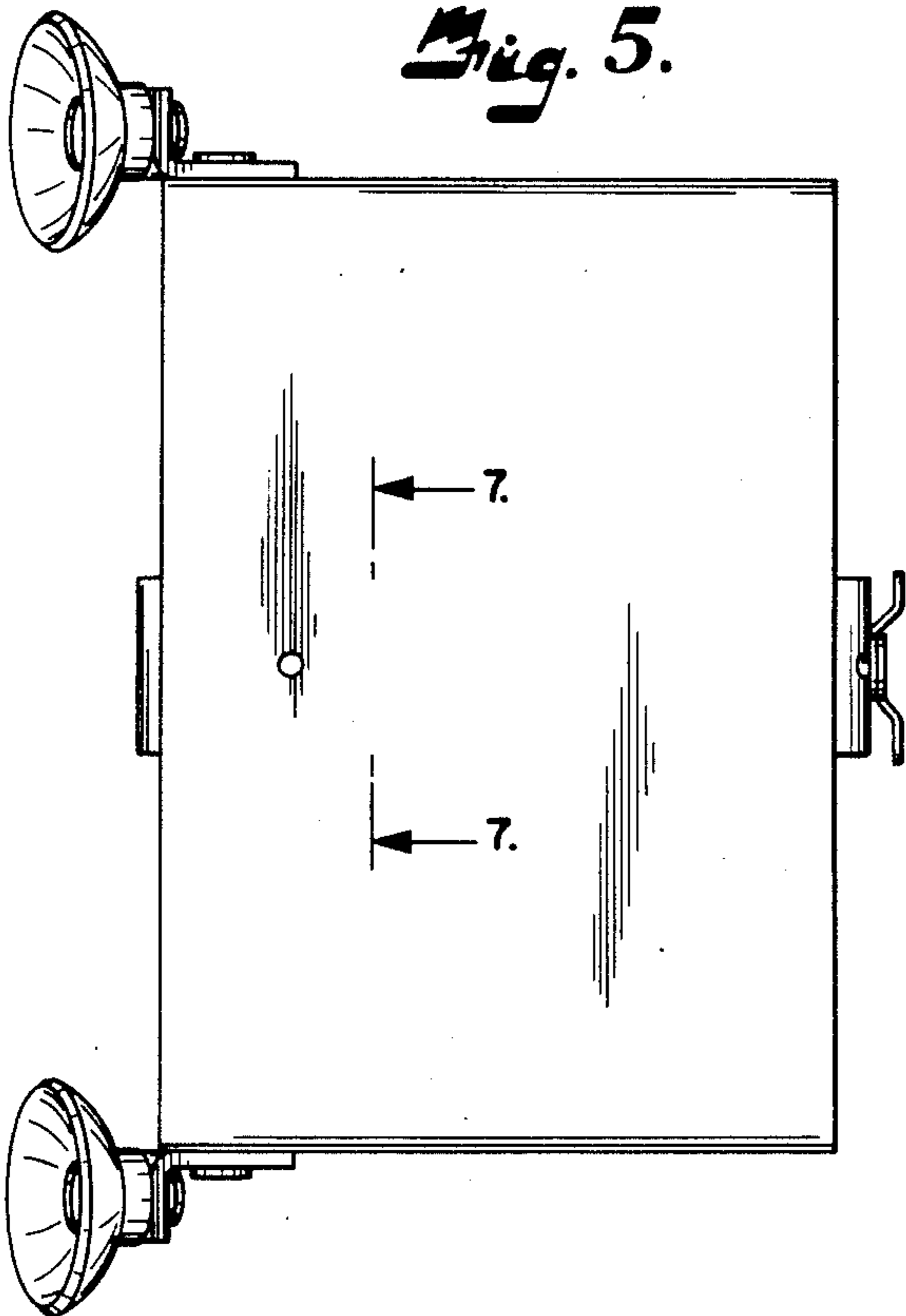


Fig. 6.

