

[54] SCALE CALIBRATING MACHINE

[75] Inventor: Max van Mastrigt, Tarzana, Calif.
[73] Assignee: W. C. Dillon and Company, Inc., Van Nuys, Calif.
[**] Term: 14 Years
[21] Appl. No.: 765,668
[22] Filed: Feb. 4, 1977

[51] Int. Cl. D10-04
[52] U.S. Cl. D10/83; D10/46;
D10/87; D10/89; D10/90
[58] Field of Search D10/83, 84, 87, 88,
D10/89, 90, 91, 92, 93, 94, 95, 46; 177/50, 164,
246; 73/1 A

[56] References Cited

U.S. PATENT DOCUMENTS

7,562	8/1850	Houston	D10/90 X
D. 74,456	2/1928	Smith	D10/93
3,960,226	6/1976	Wood	177/164

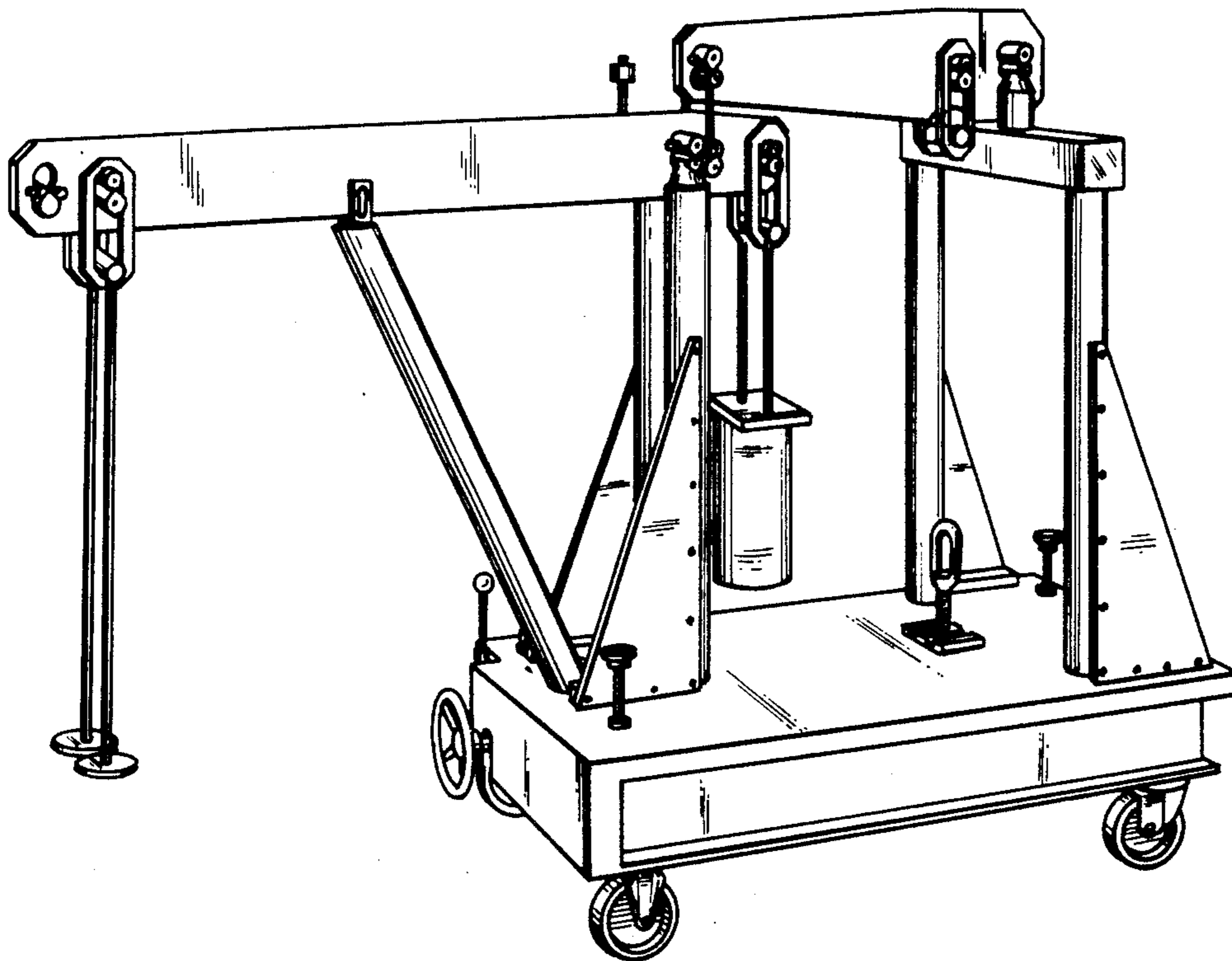
Primary Examiner—Nelson C. Holtje
Attorney, Agent, or Firm—Ralph B. Pastoriza

[57] CLAIM

The ornamental design for a scale calibrating machine, substantially as shown.

DESCRIPTION

FIG. 1 is a perspective view of a scale calibrating machine showing my new design;
FIG. 2 is an opposite side elevational view thereof;
FIG. 3 is a front elevational view thereof;
FIG. 4 is a top plan view thereof;
FIG. 5 is a bottom plan view thereof; and,
FIG. 6 is a rear elevational view thereof.



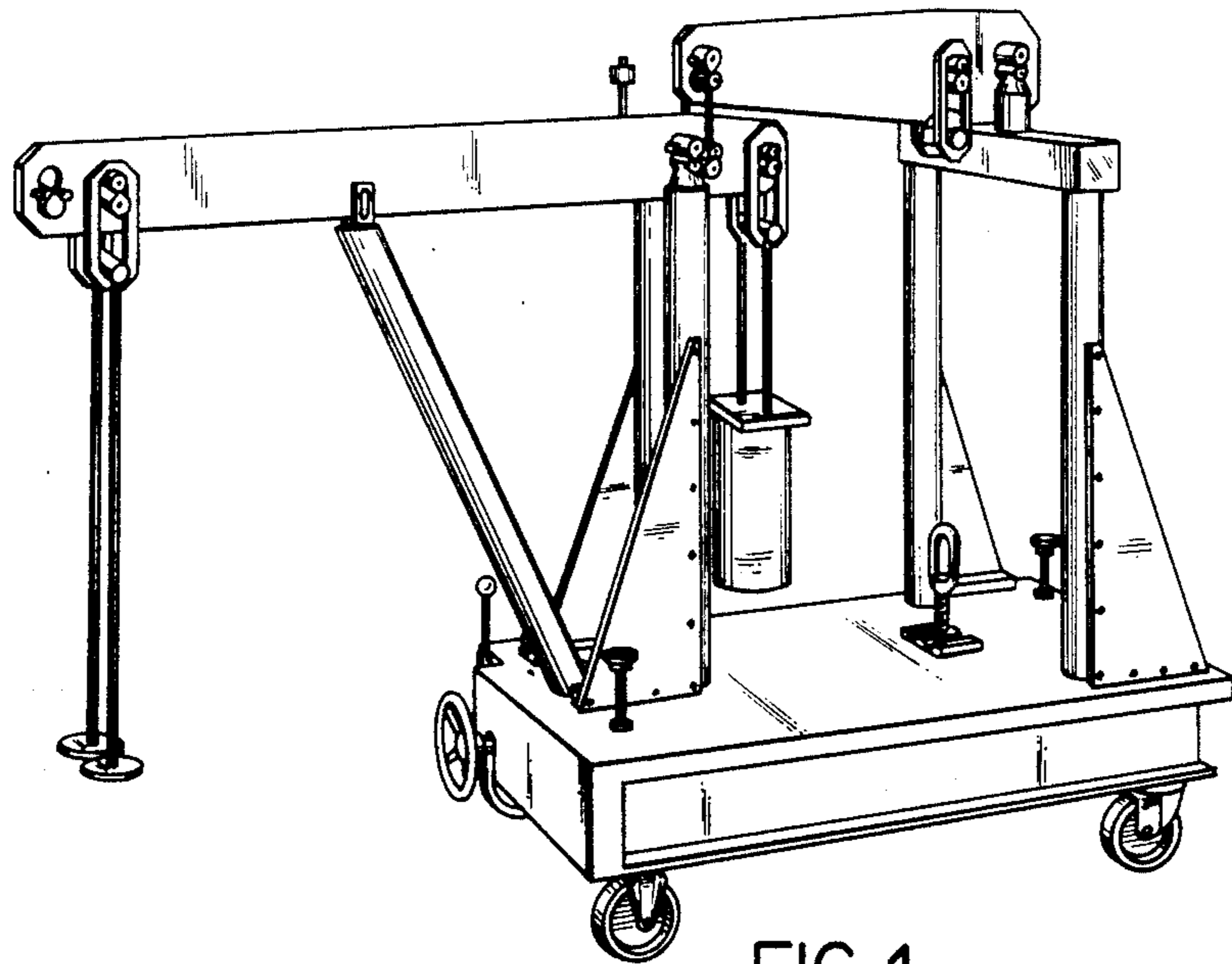


FIG. 1

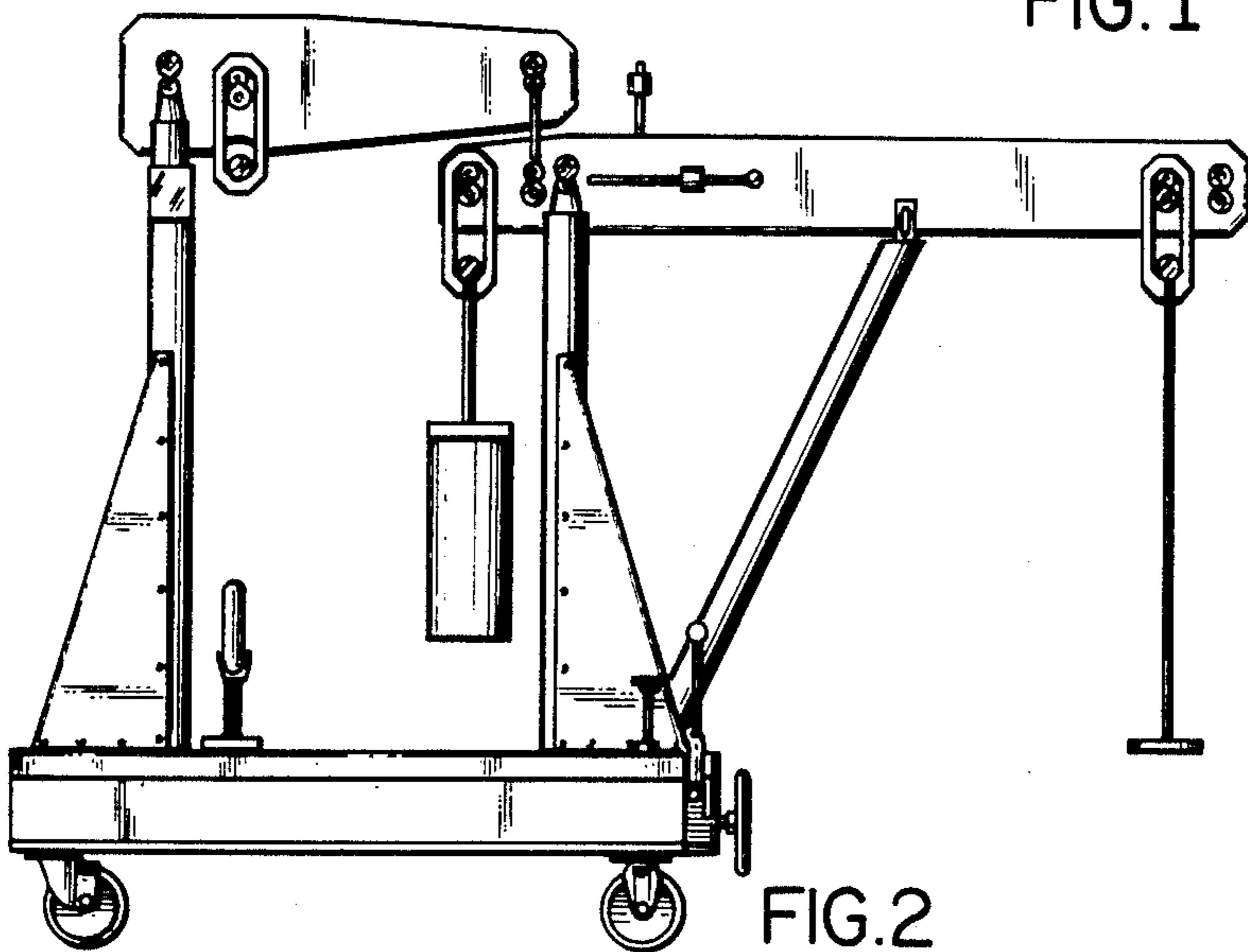


FIG. 2

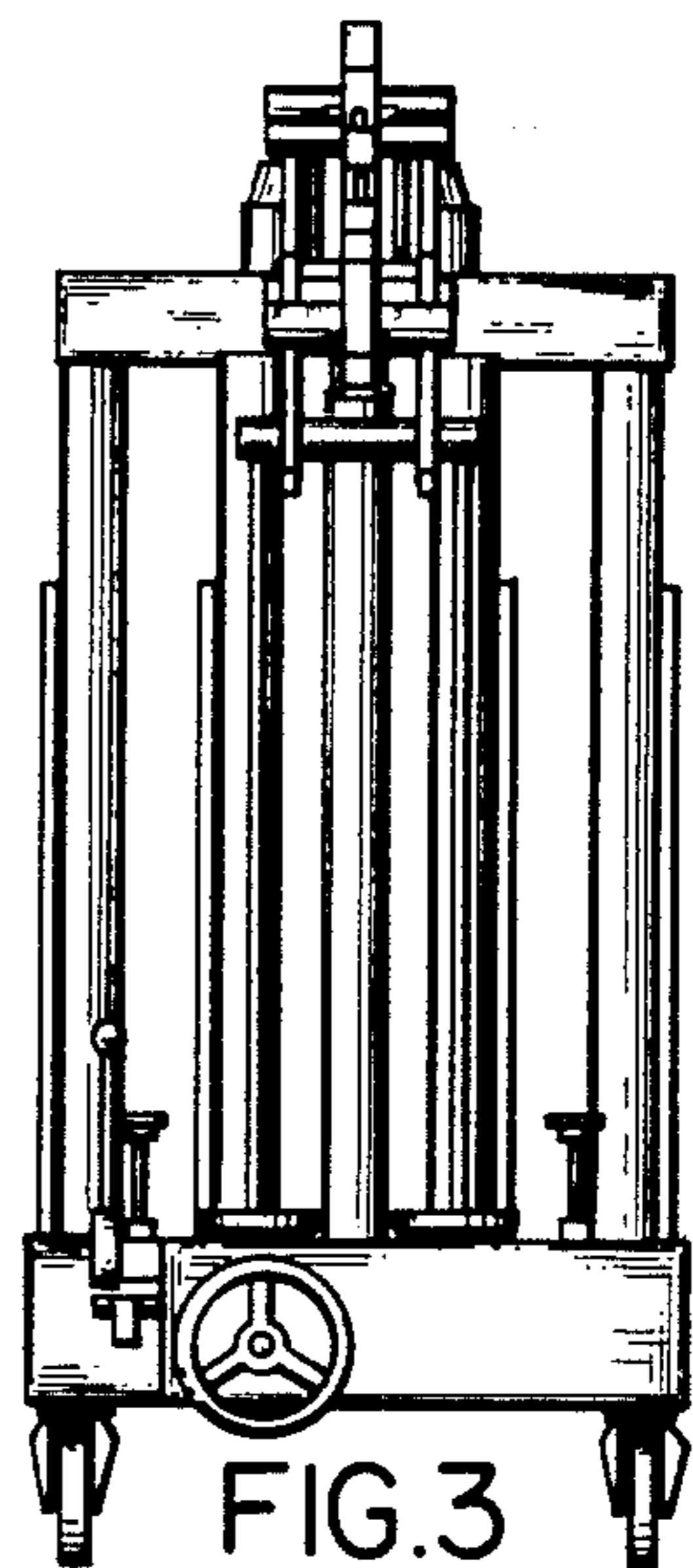


FIG. 3

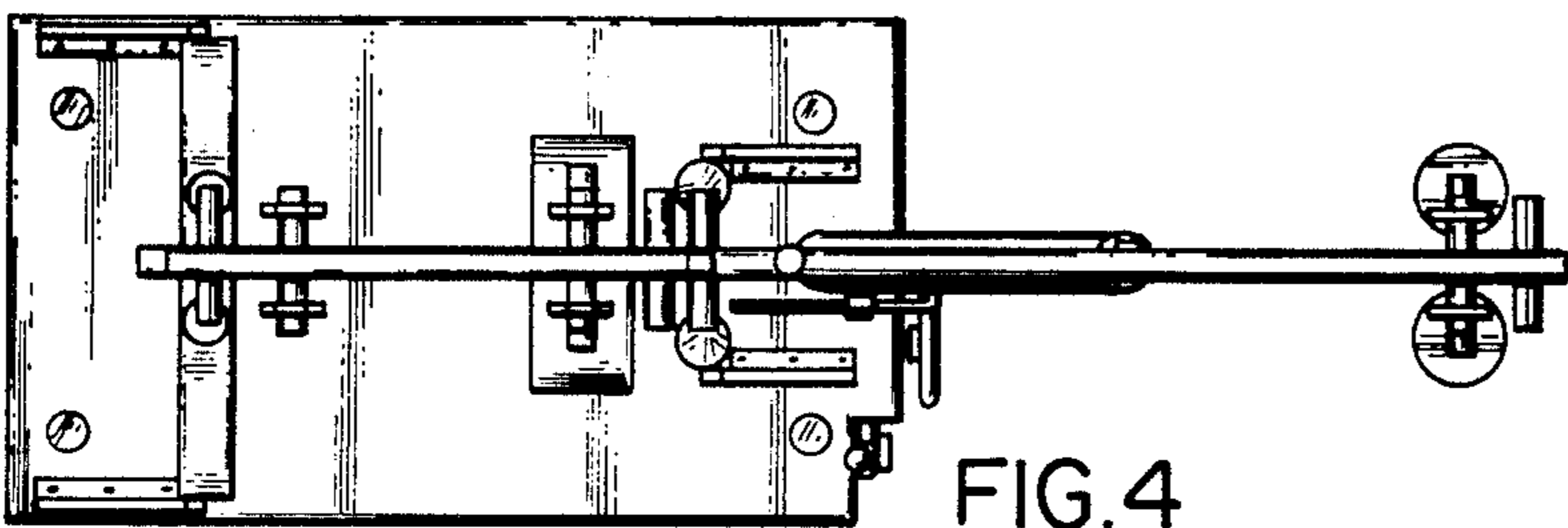


FIG. 4

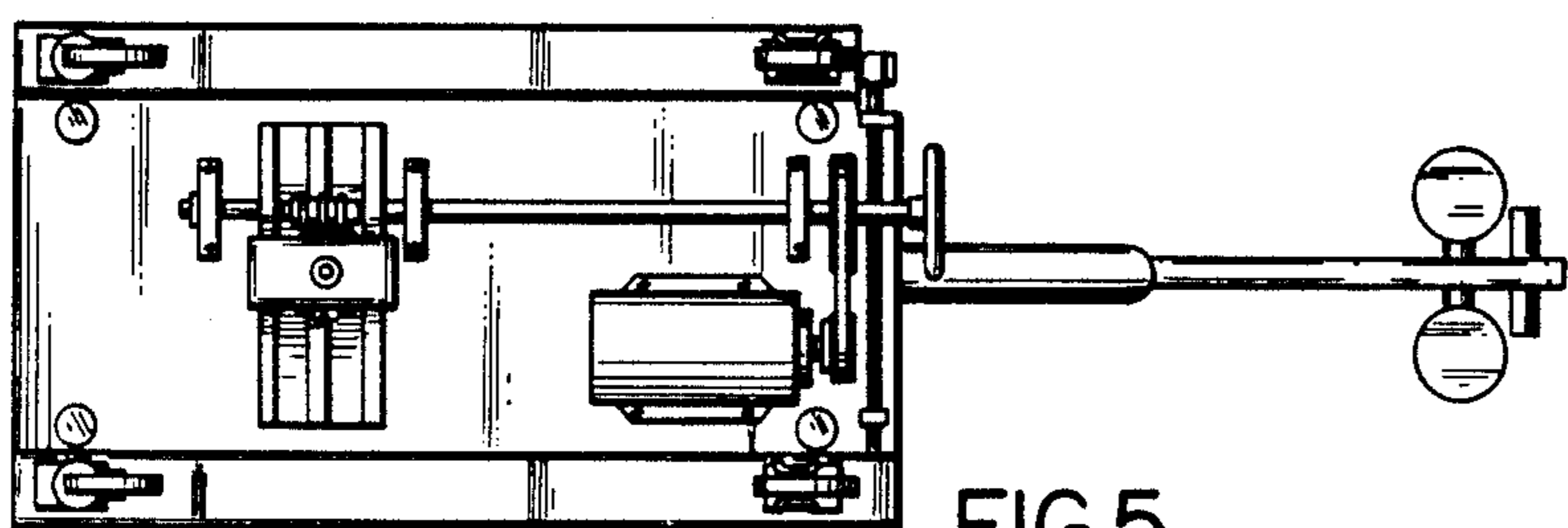


FIG. 5

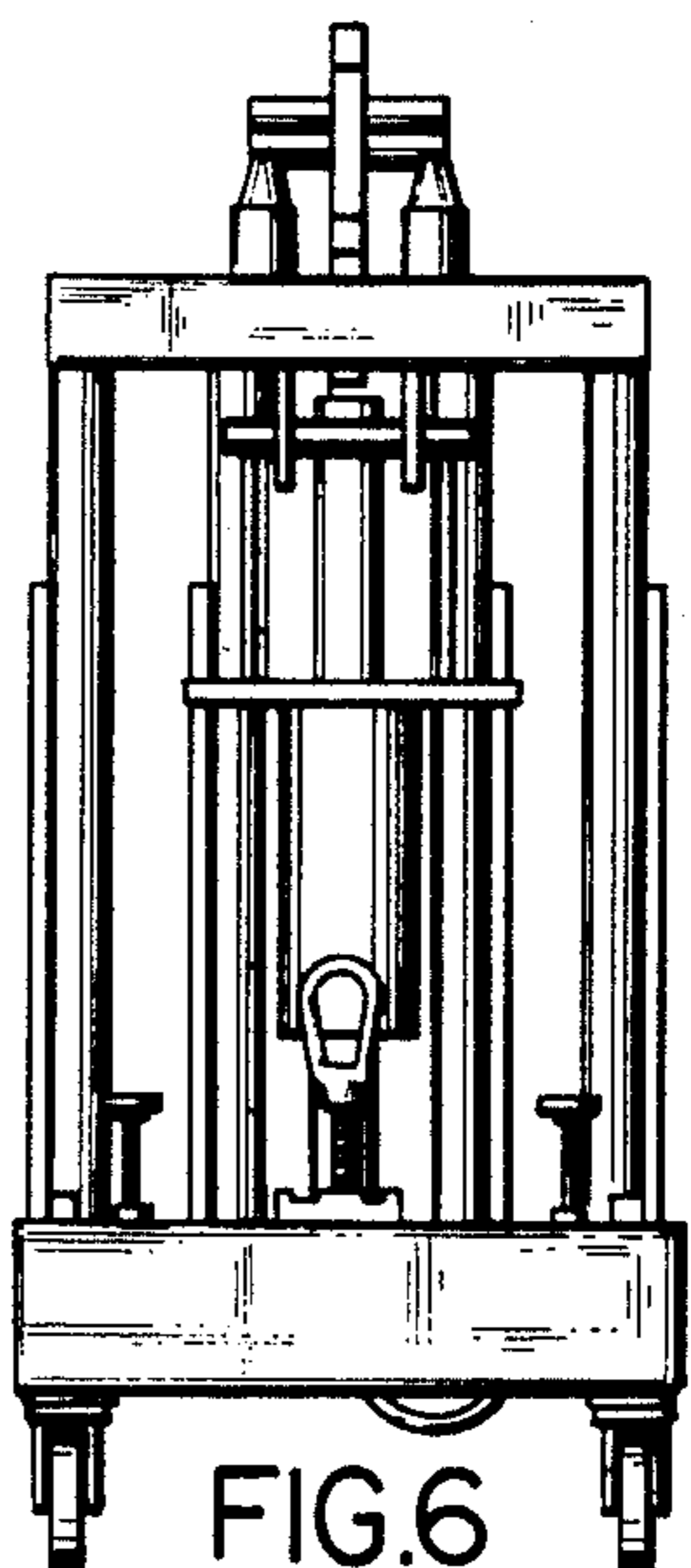


FIG. 6