

[54] ELECTRICAL BOX SETTING GAUGE

[75] Inventors: Neil W. Douglas; William C. Cress, Jr., both of Sanford, N.C.

[73] Assignee: D. & C. Manufacturing Co., Inc.

[**] Term: 14 Years

[21] Appl. No.: 755,131

[22] Filed: Dec. 29, 1976

[51] Int. Cl. D10-04

[52] U.S. Cl. D10/64

[58] Field of Search D10/61, 64, 70, 71; 33/180 R, DIG. 10

[56]

References Cited

U.S. PATENT DOCUMENTS

D. 205,722	9/1966	Sunley	D10/64
2,197,505	4/1940	Mosher	D10/64
3,950,857	4/1976	Zanavich	33/DIG. 10
3,954,717	5/1976	Tarr	33/DIG. 10

Primary Examiner—Nelson C. Holtje
Attorney, Agent, or Firm—David Rabin

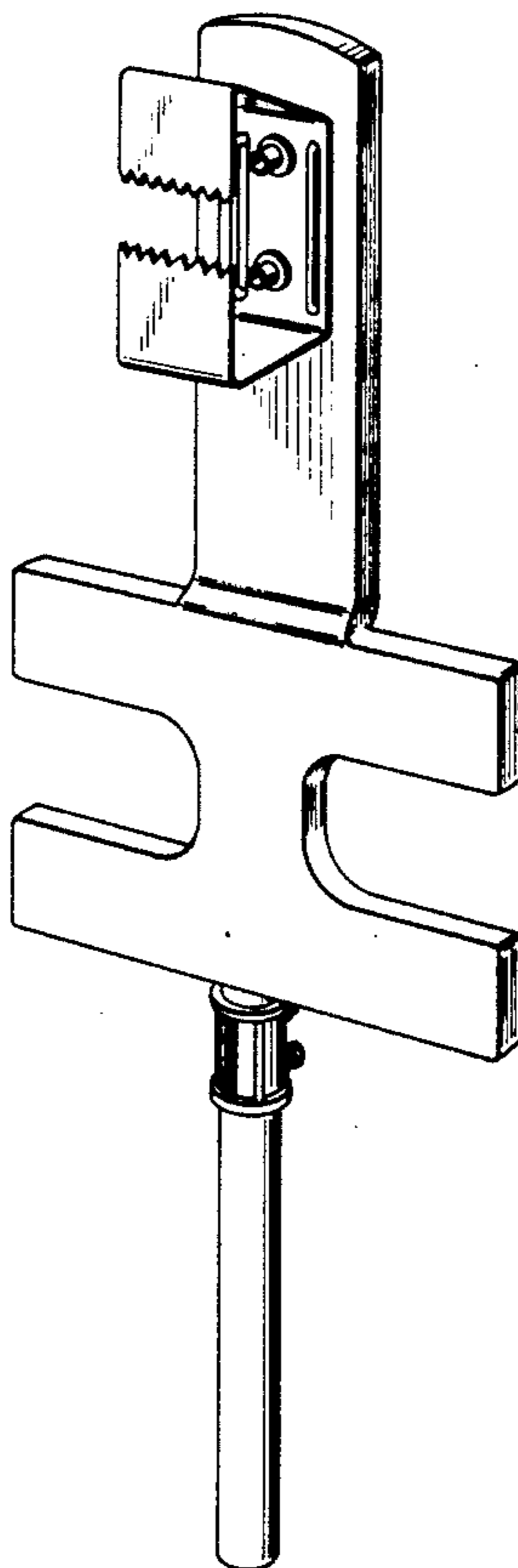
[57]

CLAIM

The ornamental design for an electrical box setting gauge, as shown.

DESCRIPTION

FIG. 1 is a right front perspective view of an electrical box setting gauge showing our new design;
FIG. 2 is a right side elevational view thereof;
FIG. 3 is a rear elevational view thereof;
FIG. 4 is a top plan view thereof;
FIG. 5 is a bottom plan view thereof.



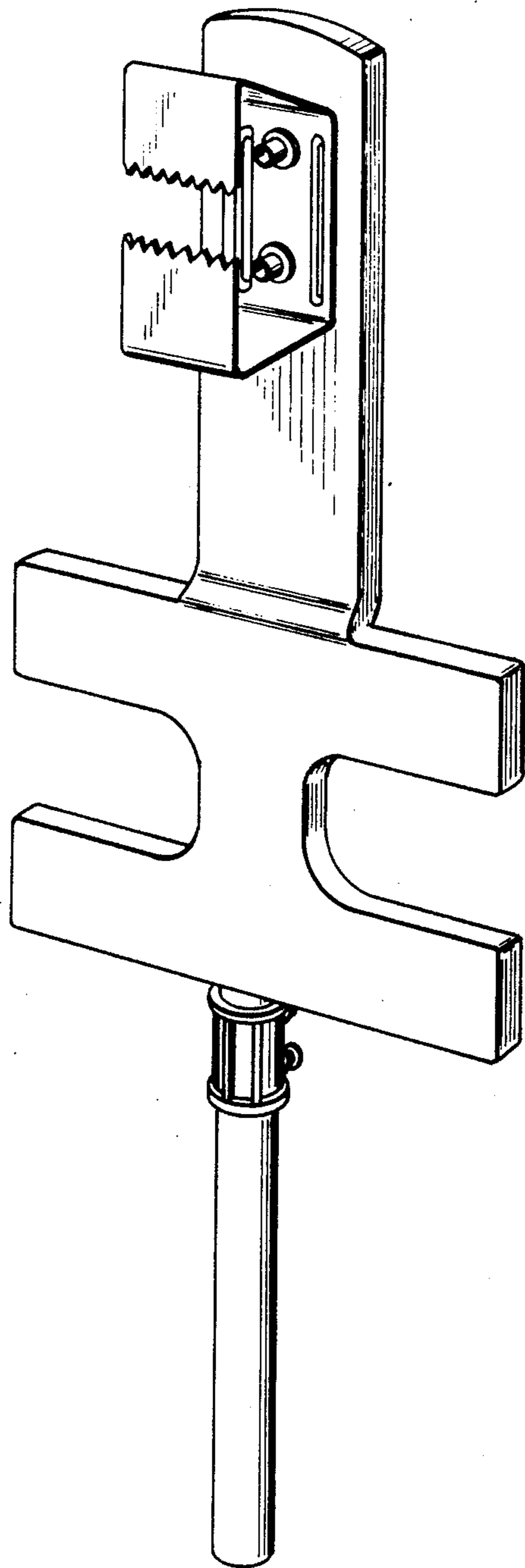


FIG. 1

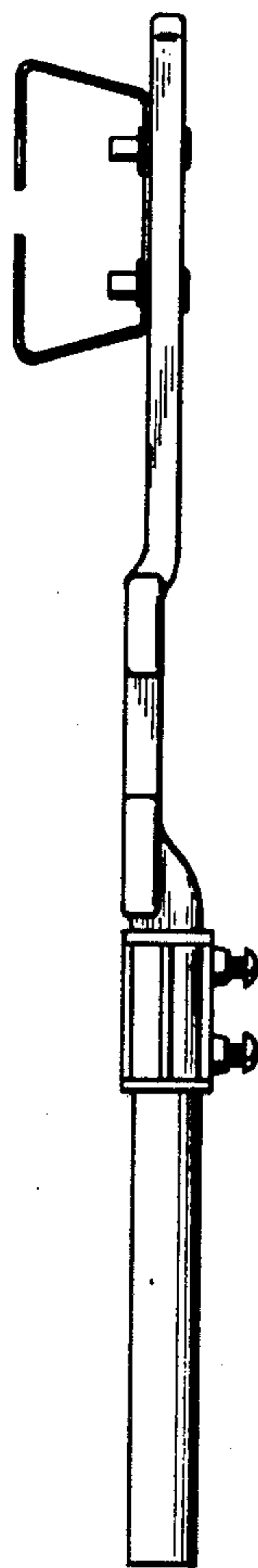


FIG. 2

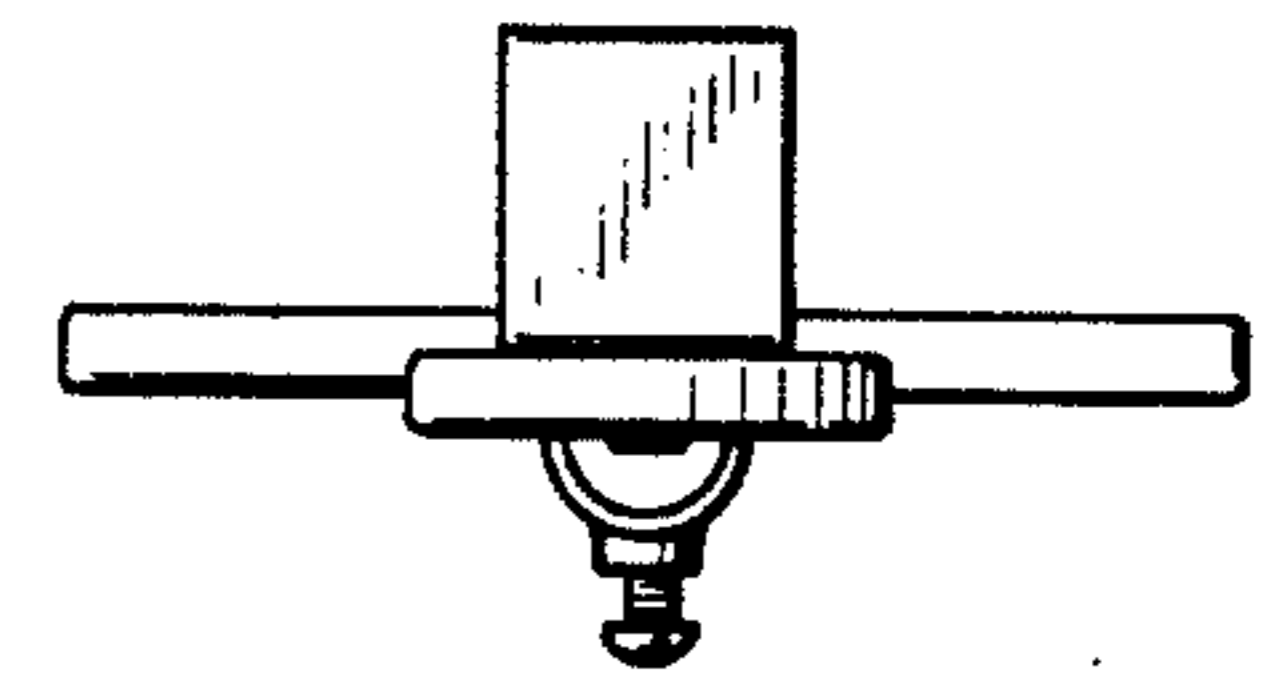


FIG. 4

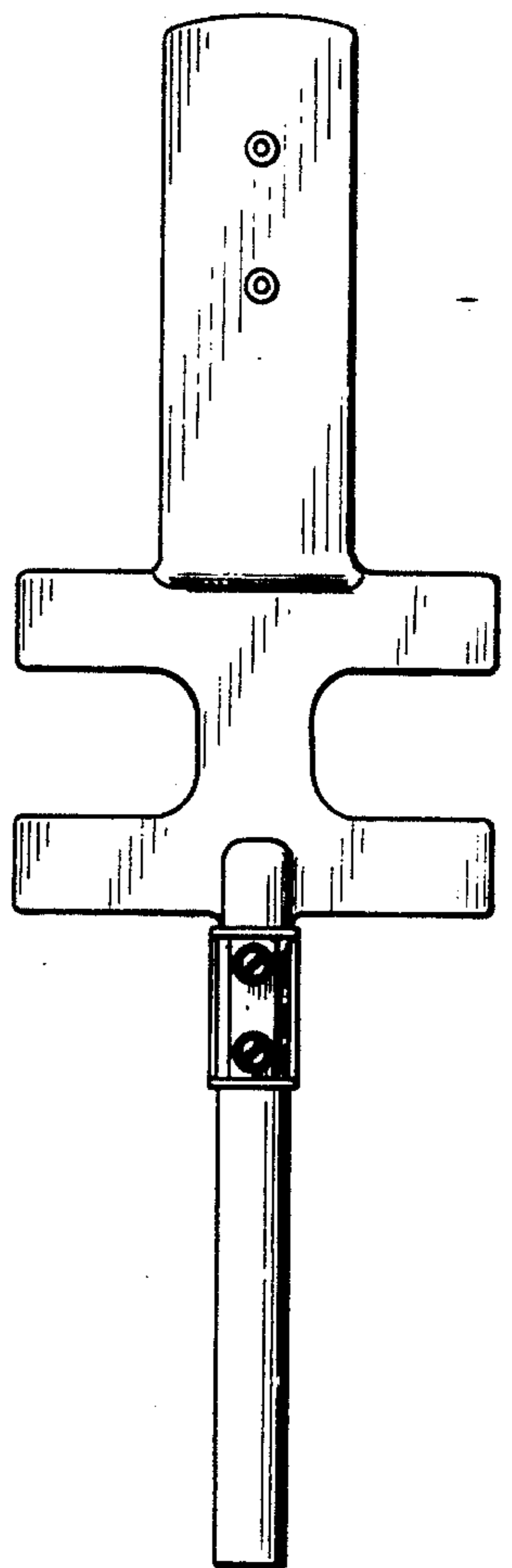


FIG. 3

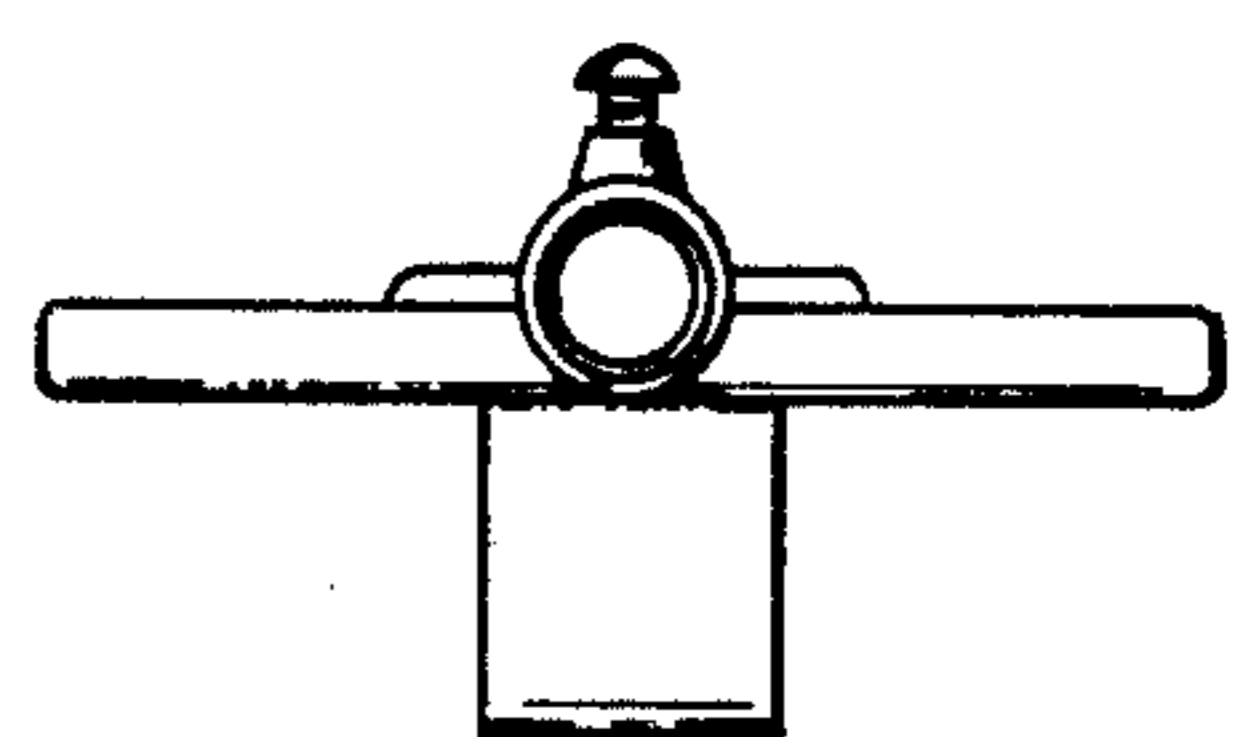


FIG. 5